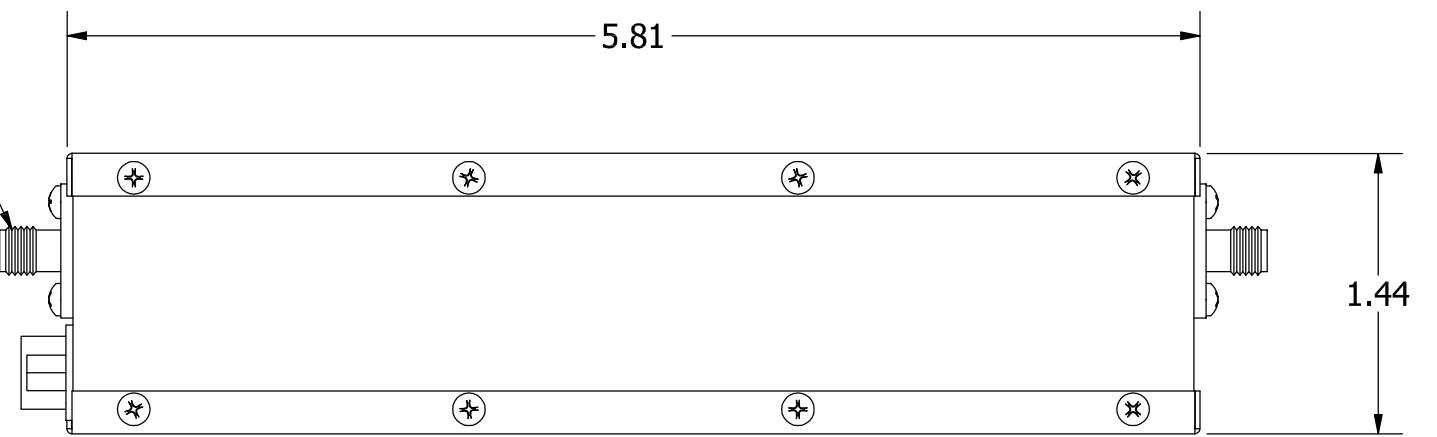
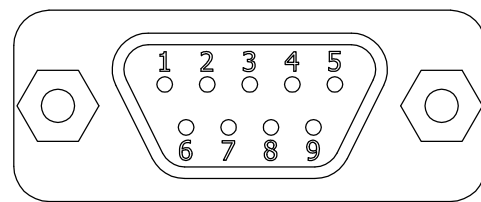
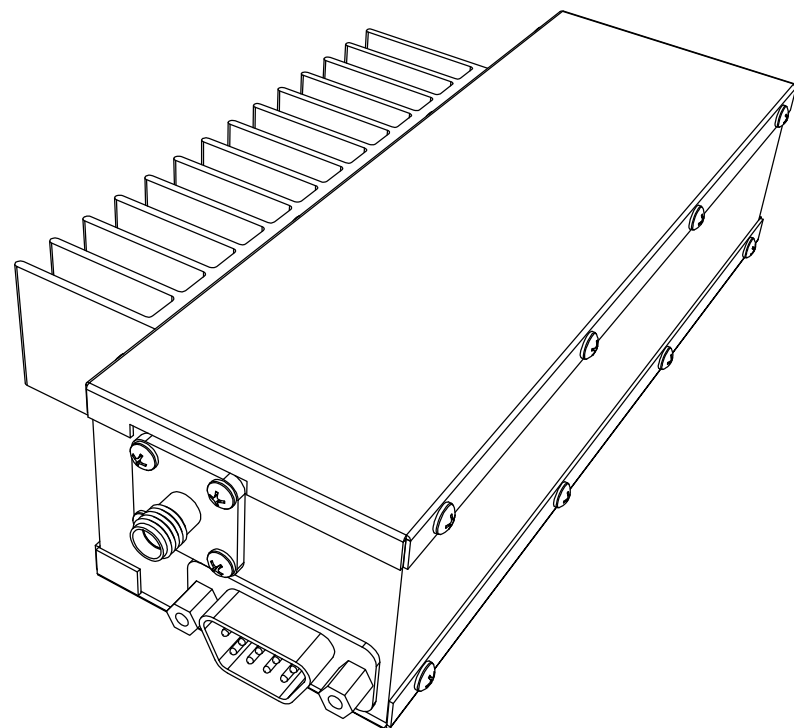
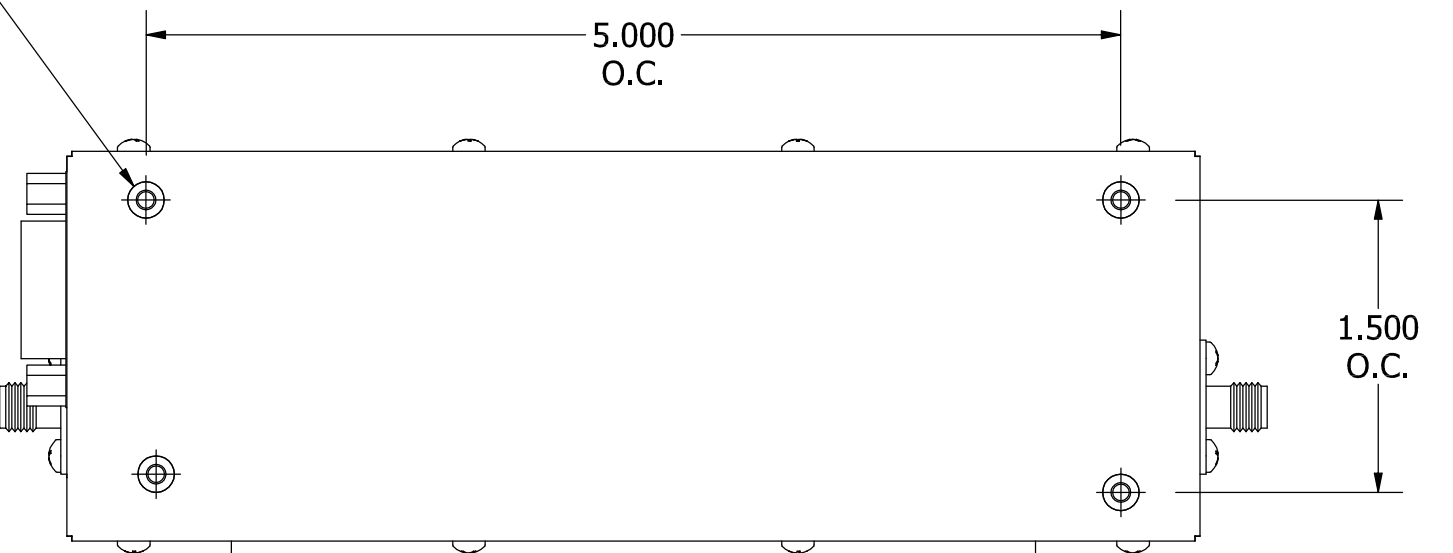


SMA FEMALE
2-PLACES

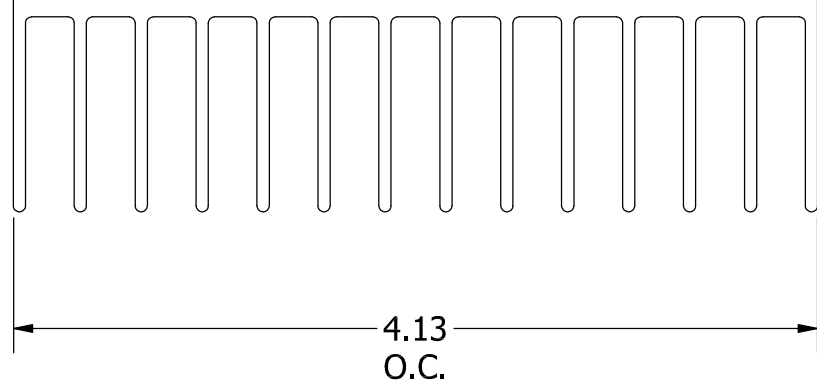


4-40 x .25 DP
4-PLACES

DETAIL A



DETAIL A
DE-9P



PIN	FUNCTION
1	1 dB CONTROL
2	2 dB CONTROL
3	4 dB CONTROL
4	8 dB CONTROL
5	16 dB CONTROL
6	32 dB CONTROL
7	NO CONNECTION
8	NO CONNECTION
9	GROUND

REV	ECN	DATE	BY	APPR
-	ISSUED	11-15-99	CB	FDW
A	6905	11-15-01	CMB	TEZ
B	7060	4-4-02	CMB	TEZ
C	7947	7-30-04	LT	TEZ
D	24444	9-24-15	JZ	TEZ



JFW INDUSTRIES, INC.

www.jfwindustries.com

PH: 317-887-1340

MATERIAL	BRASS	PROPRIETARY INFORMATION
FINISH	NICKEL	ALL SURFACES ARE TO BE FREE OF BURRS, PITS & SCRATCHES
MODEL	50P-XXXX	TOLERANCES .XX±.010 .XXX±.005 XX°±.5°
DESCRIPTION	PROGRAMMABLE ATTENUATOR	DWG #
		092-3258