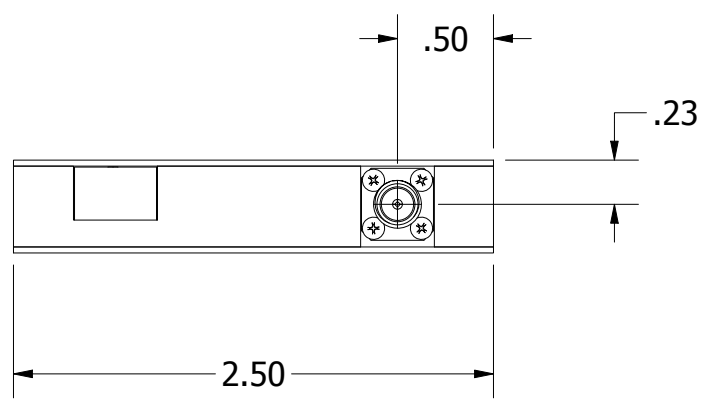


DETAIL A
3M #D2510-6002-AR
OR EQUIVALENT



PIN	FUNCTION
1	.5dB TTL CONT.
2	1dB TTL CONT.
3	2dB TTL CONT.
4	4dB TTL CONT.
5	8dB TTL CONT.
6	16dB TTL CONT.
7	NO CONNECTION
8	NO CONNECTION
9	DC SUPPLY
10	GROUND

REV	ECN	DATE	BY	APPR
-	ISSUED	2-13-13	TEZ	CLK
A	24444	10-12-15	JZ	TEZ
B	29124	6-18-19	ICC	JZ



JFW INDUSTRIES, INC.

www.jfwindustries.com PH: 317-887-1340

MATERIAL	ALUMINUM ALLOY	PROPRIETARY INFORMATION
FINISH	ELECTROLESS NICKEL	ALL SURFACES ARE TO BE FREE OF BURRS, PITS & SCRATCHES
MODEL	50P-XXXX	TOLERANCES .XX±.010 .XXX±.005 XX*±.5°
DESCRIPTION	PROGRAMMABLE ATTENUATOR	DWG # 092-7462-11