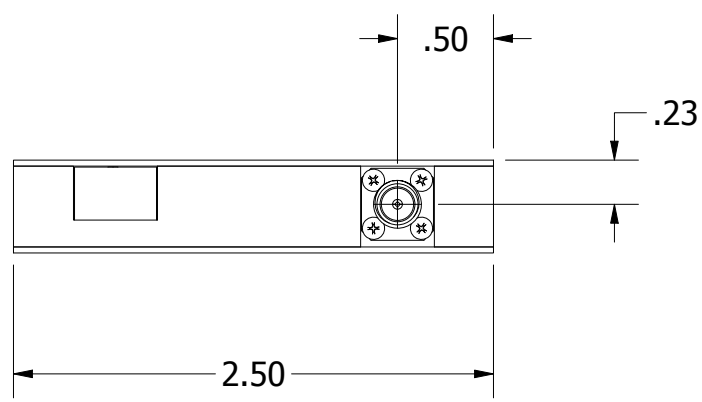


DETAIL A
3M #D2510-6002-AR
OR EQUIVALENT



| PIN | FUNCTION |
|-----|----------------|
| 1 | 1dB TTL CONT. |
| 2 | 2dB TTL CONT. |
| 3 | 4dB TTL CONT. |
| 4 | 8dB TTL CONT. |
| 5 | 16dB TTL CONT. |
| 6 | 32dB TTL CONT. |
| 7 | NO CONNECTION |
| 8 | NO CONNECTION |
| 9 | DC SUPPLY |
| 10 | GROUND |

| REV | ECN | DATE | BY | APPR |
|-----|--------|----------|-----|------|
| - | ISSUED | 2-13-13 | TEZ | CLK |
| A | 24444 | 10-12-15 | JZ | TEZ |
| B | 29124 | 6-18-19 | ICC | JZ |



JFW INDUSTRIES, INC.

www.jfwindustries.com PH: 317-887-1340

| | | |
|-------------|-------------------------|--|
| MATERIAL | ALUMINUM ALLOY | PROPRIETARY INFORMATION |
| FINISH | ELECTROLESS NICKEL | ALL SURFACES ARE TO BE FREE OF BURRS, PITS & SCRATCHES |
| MODEL | 50P-XXXX | TOLERANCES .XX±.010 .XXX±.005 XX*±.5° |
| DESCRIPTION | PROGRAMMABLE ATTENUATOR | DWG # 092-7462-03 |