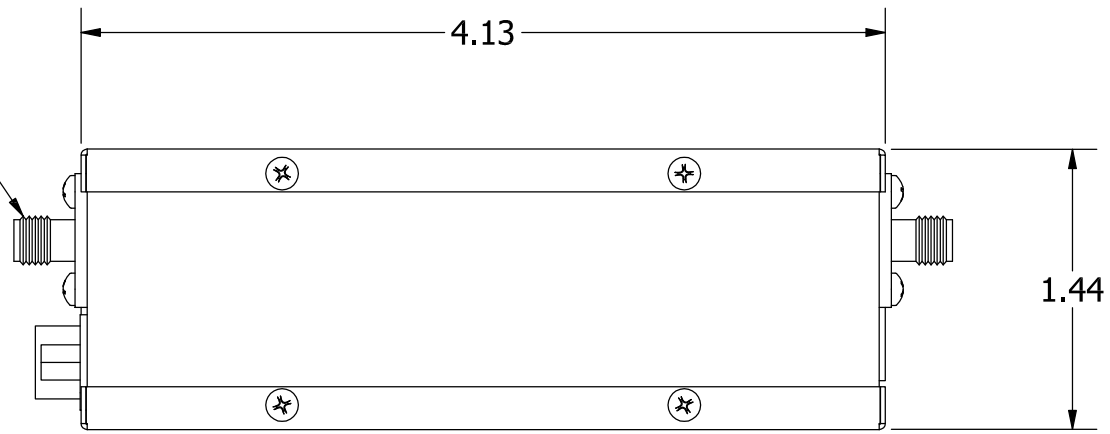
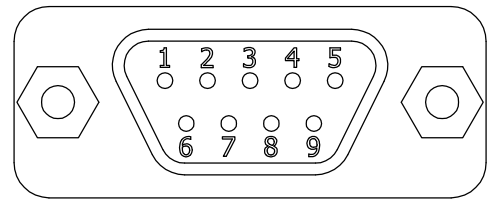
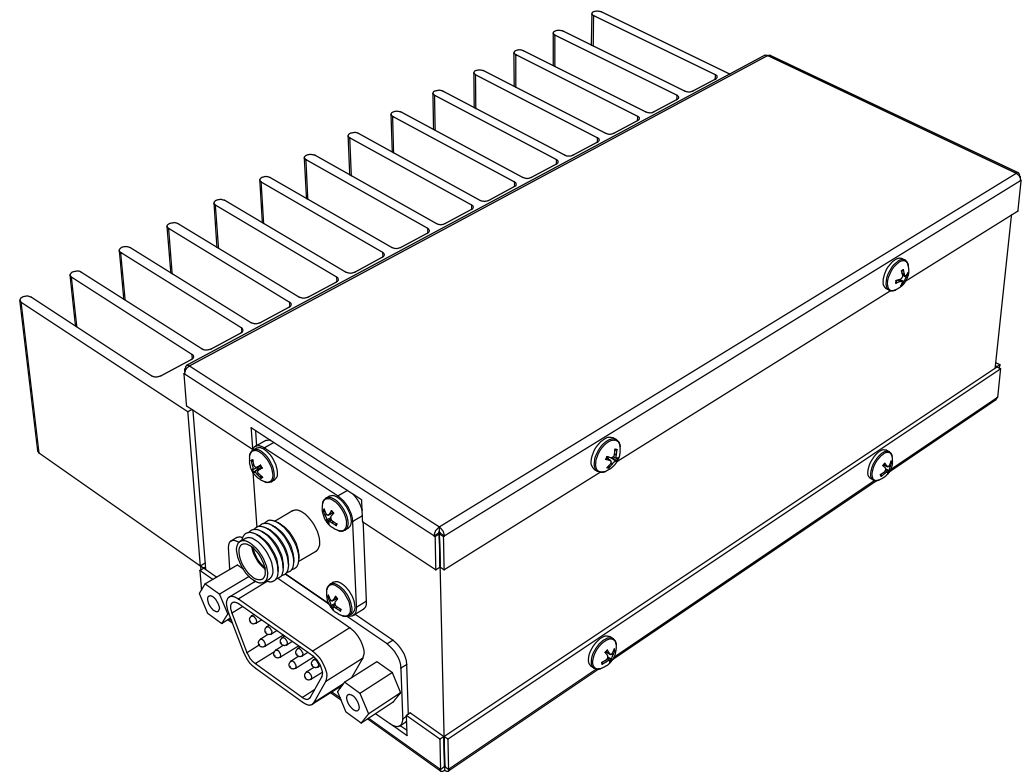
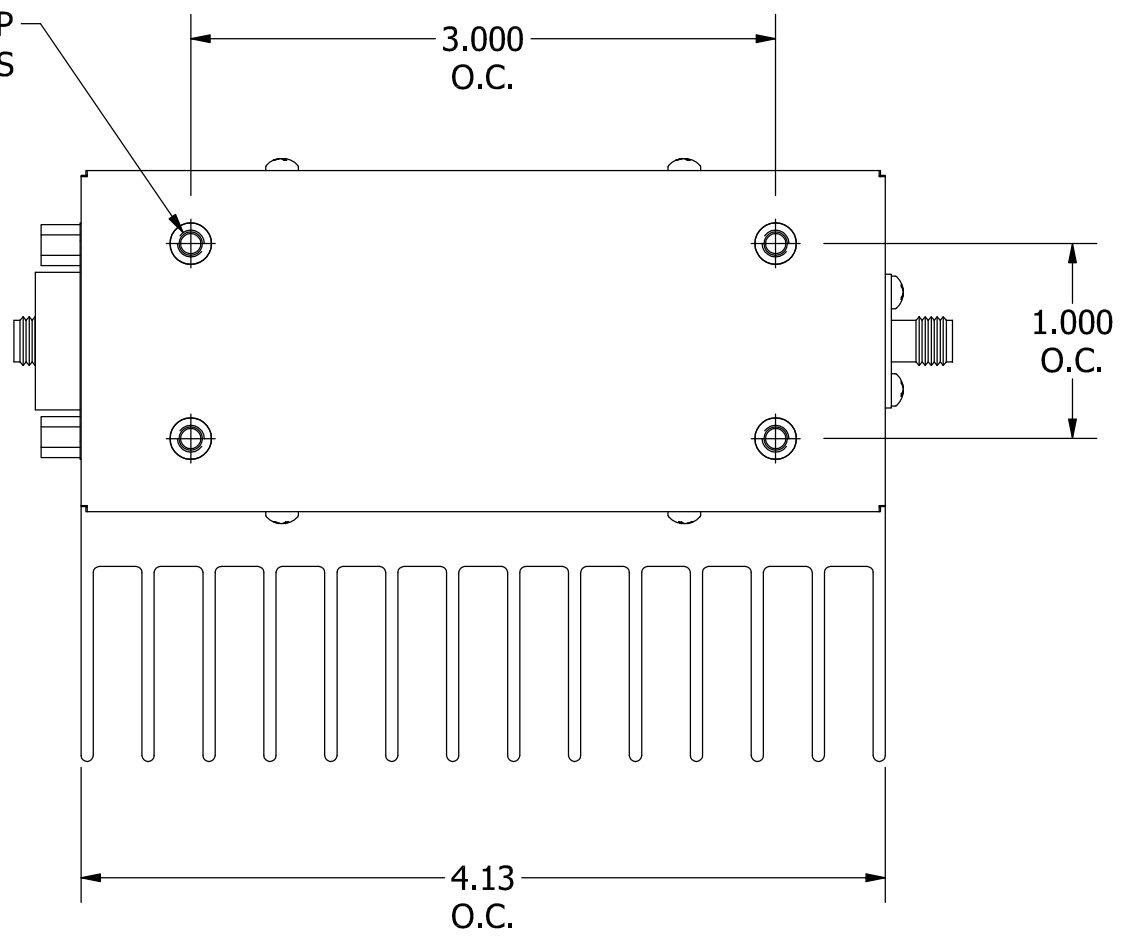


SMA FEMALE
2-PLACES



DETAIL A

6-32 x .25 DP
4-PLACES



DETAIL A
DE-9P

PIN	FUNCTION
1	1 dB CONTROL
2	2 dB CONTROL
3	4 dB CONTROL
4	8 dB CONTROL
5	NO CONNECTION
6	NO CONNECTION
7	NO CONNECTION
8	NO CONNECTION
9	GROUND

REV	ECN	DATE	BY	APPR
-	ISSUED	6-21-12	DCK	CLK
A	24444	10-22-15	JZ	TEZ



JFW INDUSTRIES, INC.

www.jfwindustries.com

PH: 317-887-1340

MATERIAL	BRASS	PROPRIETARY INFORMATION
FINISH	NICKEL	ALL SURFACES ARE TO BE FREE OF BURRS, PITS & SCRATCHES
MODEL	50P-XXXX	TOLERANCES .XX±.010 .XXX±.005 XX°±.5°
DESCRIPTION	PROGRAMMABLE ATTENUATOR	DWG #
		092-7393