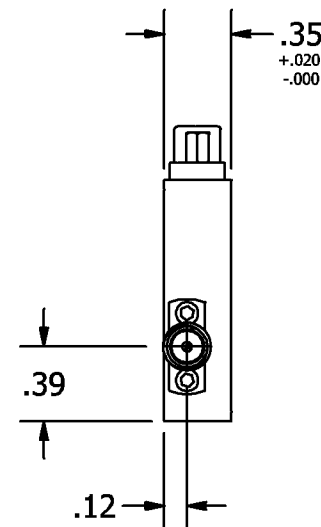
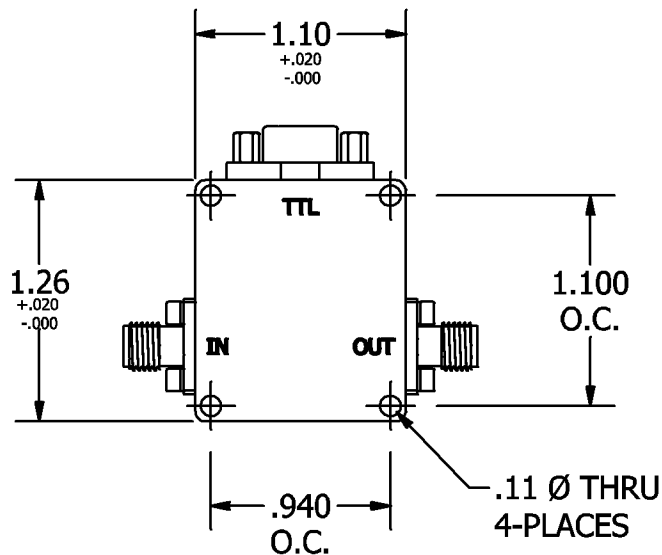
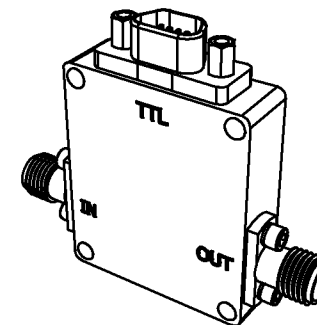
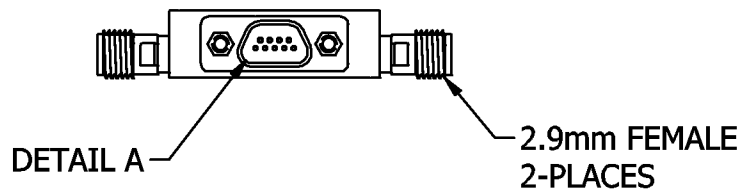


DETAIL A  
MICRO D-SUB 9 PIN FEMALE

PIN	FUNCTION
1	+5 Vdc
2	-5 Vdc
3	GND
4	C1
5	C2
6	C3
7	C4
8	C5
9	N/C



ATTEN. STATE	C1	C2	C3	C4	C5
INSERTION LOSS	1	1	1	1	1
1dB	0	1	1	1	1
2dB	1	0	1	1	1
4dB	1	1	0	1	1
8dB	1	1	1	0	1
16dB	1	1	1	1	0
31dB	0	0	0	0	0

"1" = TTL HIGH

"0" = TTL LOW

REV	ECN	DATE	BY	APPR
-	ISSUED	11-14-17	JZ	TEZ
A	28415	1-8-18	JZ	CLK
B	30750	11-1-20	JZ	JZ



**JFW INDUSTRIES, INC.**

www.jfwindustries.com

PH: 317-887-1340

MATERIAL	ALUMINUM ALLY	PROPRIETARY INFORMATION
FINISH	GOLD PLATED	ALL SURFACES ARE TO BE FREE OF BURRS, PITS & SCRATCHES
MODEL	50P-XXXX	SCALE FULL
DESCRIPTION	PROGRAMMABLE ATTENUATOR	TOLERANCES .XX±.010 .XXX±.005 XX°±.5° DWG #
		092-8953