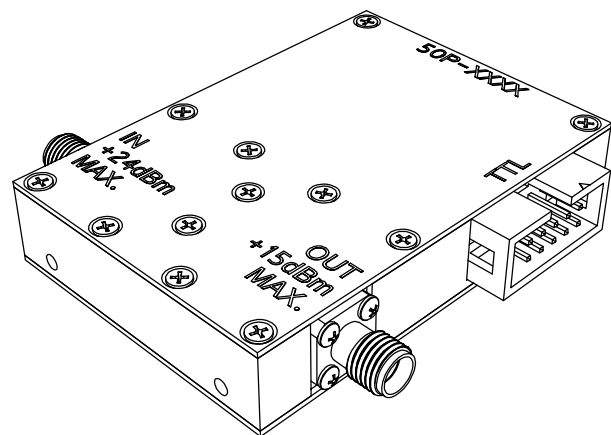
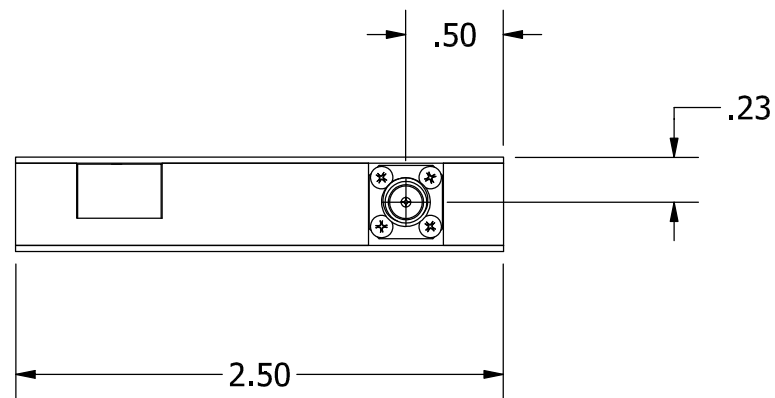
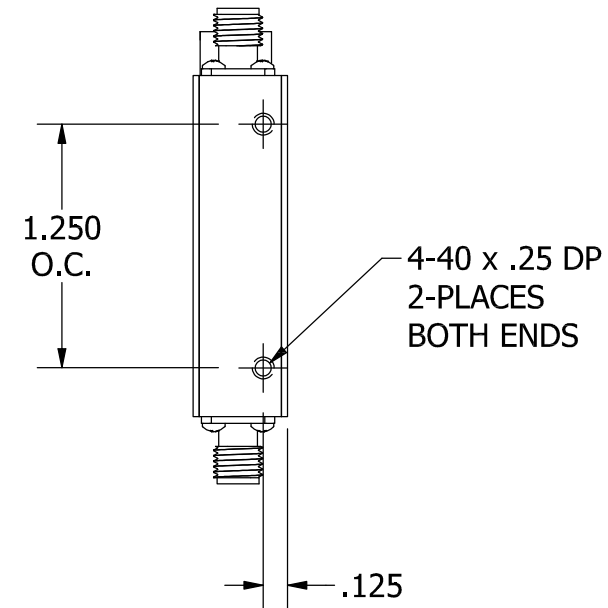
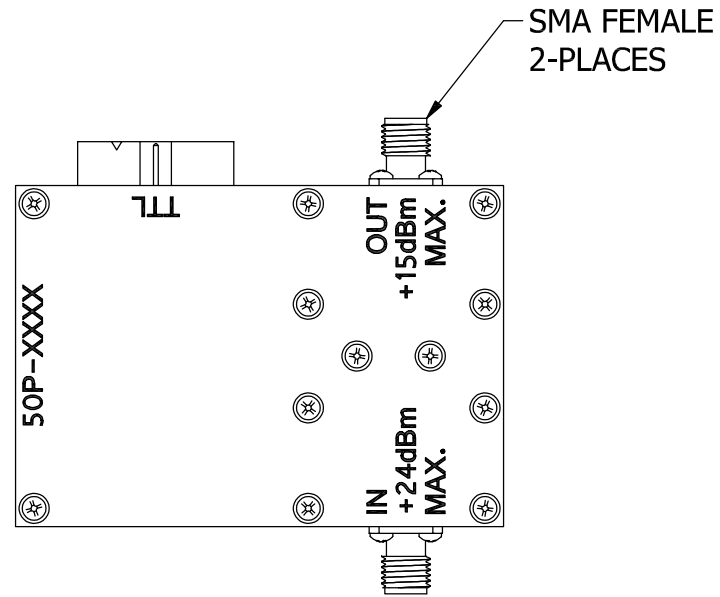
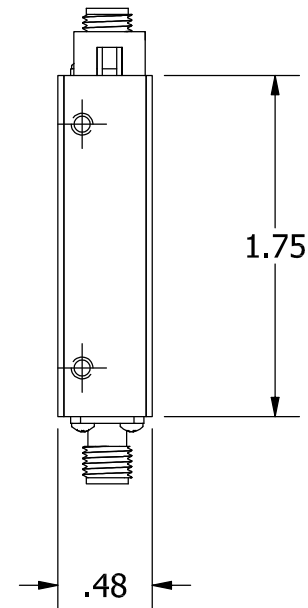



DETAIL A
3M #D2510-6002-AR
OR EQUIVALENT

PIN	FUNCTION
1	.5dB TTL CONT.
2	1dB TTL CONT.
3	2dB TTL CONT.
4	4dB TTL CONT.
5	8dB TTL CONT.
6	16dB TTL CONT.
7	31.5dB TTL CONT.
8	NO CONNECTION
9	DC SUPPLY
10	GROUND



REV	ECN	DATE	BY	APPR			
-	ISSUED	5-5-20	GM	JZ			
					 JFW INDUSTRIES, INC. www.jfwindustries.com PH: 317-887-1340		
					MATERIAL	ALUMINUM ALLOY	PROPRIETARY INFORMATION
					FINISH	NICKEL	ALL SURFACES ARE TO BE FREE OF BURRS, PITS & SCRATCHES
					MODEL	50P-XXXX	TOLERANCES .XX±.010 .XXX±.005 XX°±.5°
					DESCRIPTION	PROGRAMMABLE ATTENUATOR 0-63 dB x 0.5 dB	DWG # 092-9403-11