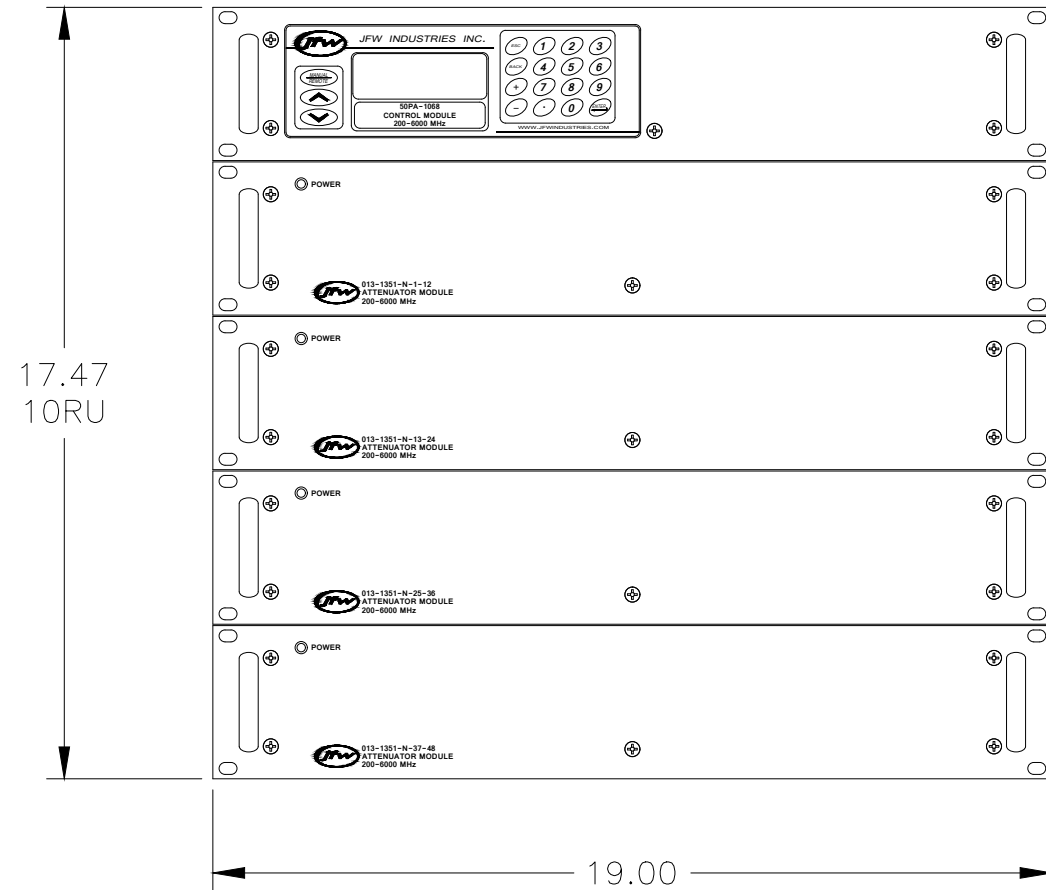


EXAMPLE ASSEMBLY DRAWING SHOWING 5 MODULES

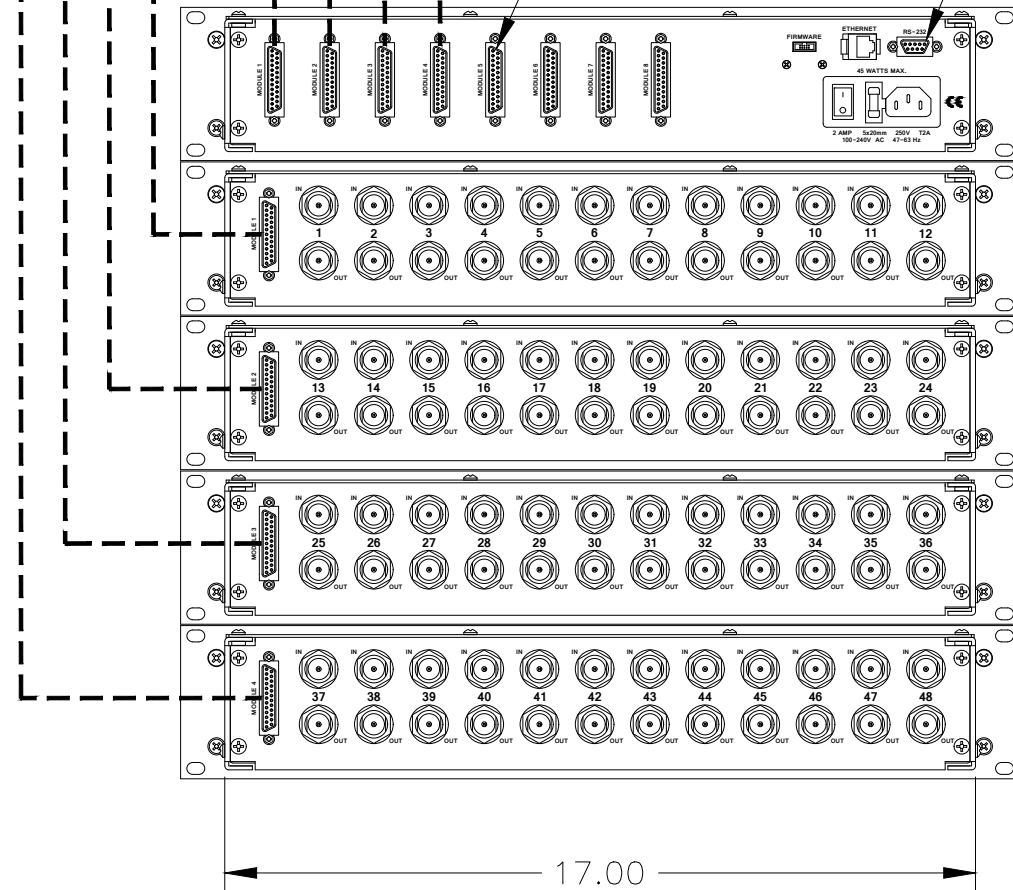
DC CABLES SUPPLIED BY JFW
SIMPLIFIED FOR CLARITY

CONTROL UP TO 8 ATTENUATOR MODULES

DETAIL A



FRONT VIEW



REAR VIEW

CONTROL MODULE
(50PA-1068)

N ATTENUATOR MODULE
(013-1351-N-1-12)

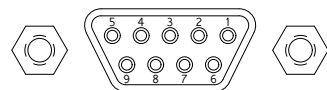
N ATTENUATOR MODULE
(013-1351-N-13-24)

N ATTENUATOR MODULE
(013-1351-N-25-36)

N ATTENUATOR MODULE
(013-1351-N-37-48)

3.47
2RU
TYP.

CHASSIS DEPTH = 12.97



DETAIL A
DE-9S

PIN	FUNCTION
1	CHASSIS GROUND
2	RECEIVED DATA
3	TRANSMITTED DATA
4	NO CONNECTION
5	SIGNAL GROUND
6	NO CONNECTION
7	RTS
8	CTS
9	NO CONNECTION

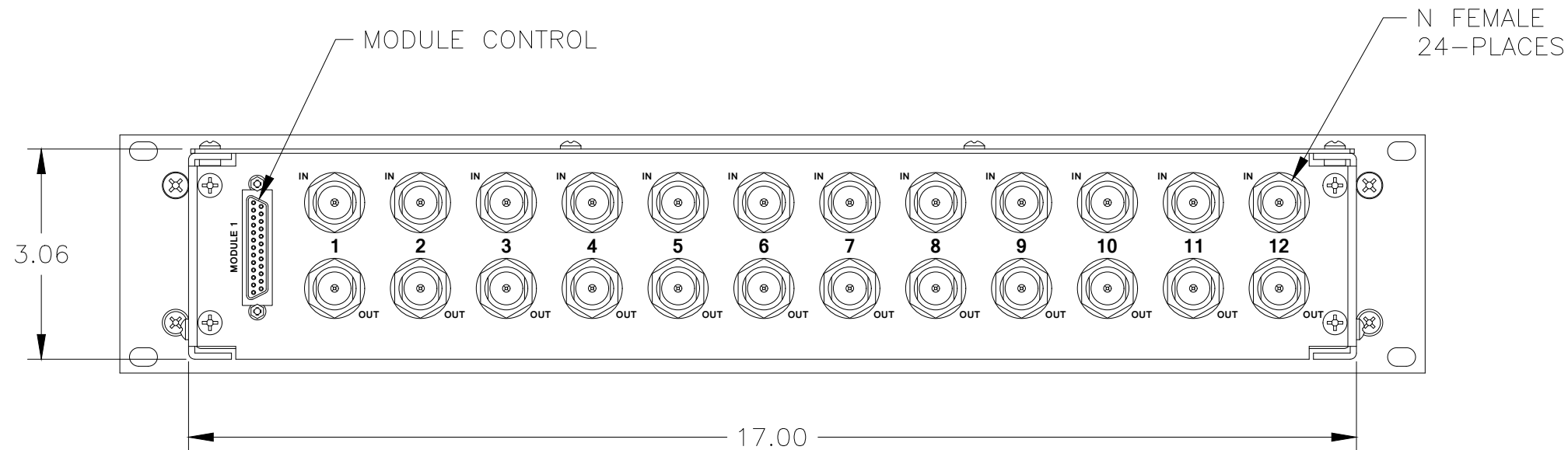
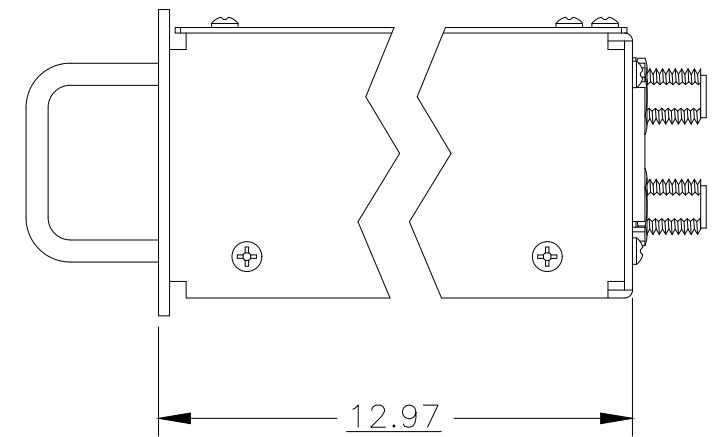
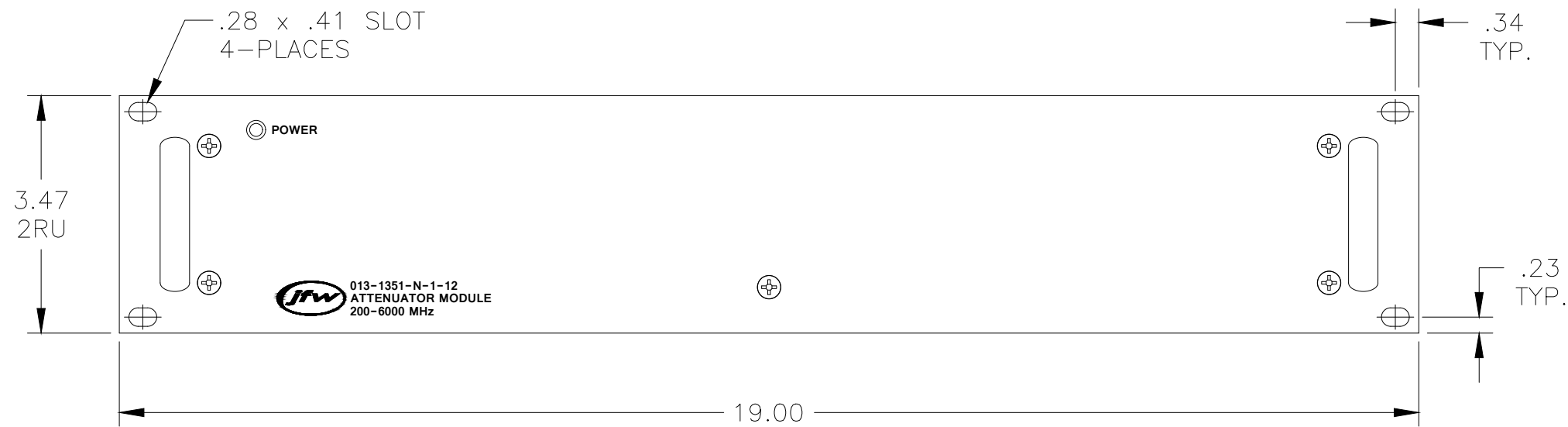
REV	ECN	DATE	BY	APPR	MATERIAL	
-	ISSUED	12-20-17	TEZ	TRS	ALUMINUM ALLOY	
A	30111	1-20-20	JZ	DTS	PROPRIETARY INFORMATION	
					FINISH	
					CHEMFILM TCP / FRONT: BLACK	
					MODEL	
					SCALE 1/4	
					DESCRIPTION	
					EXAMPLE DRAWING OF MODULAR ATTENUATOR ASSEMBLY	
					TOLERANCES .XX±.010 .XXX±.005 XX'±.5'	
					DWG # 092-8988	



JFW INDUSTRIES, INC.


www.jfwindustries.com

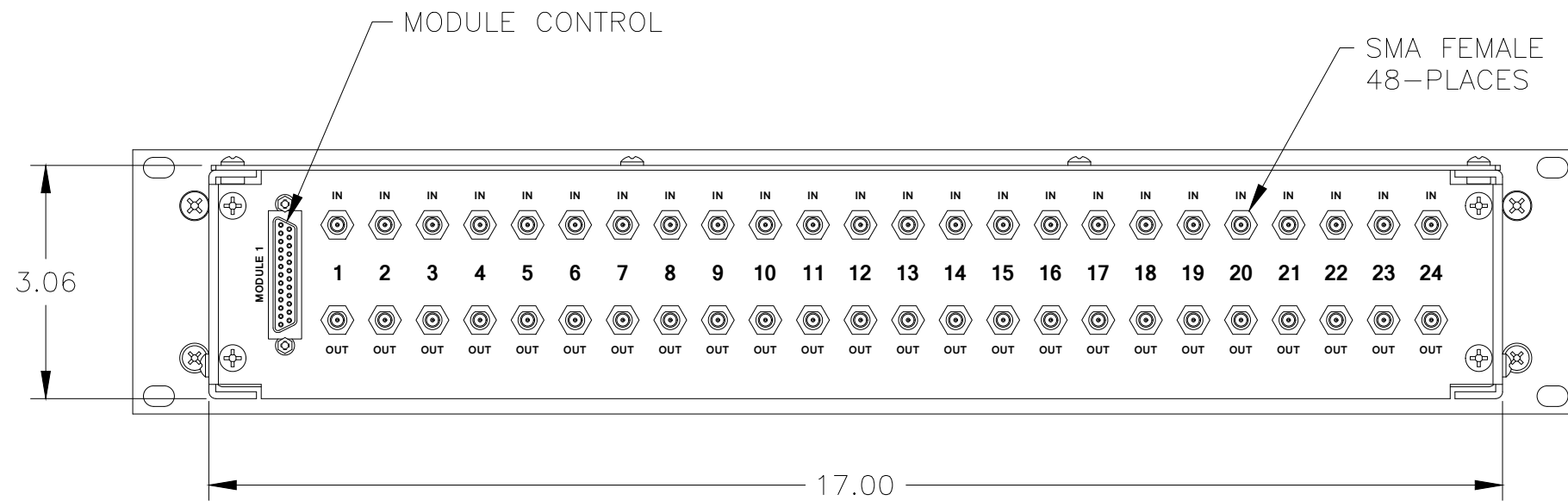
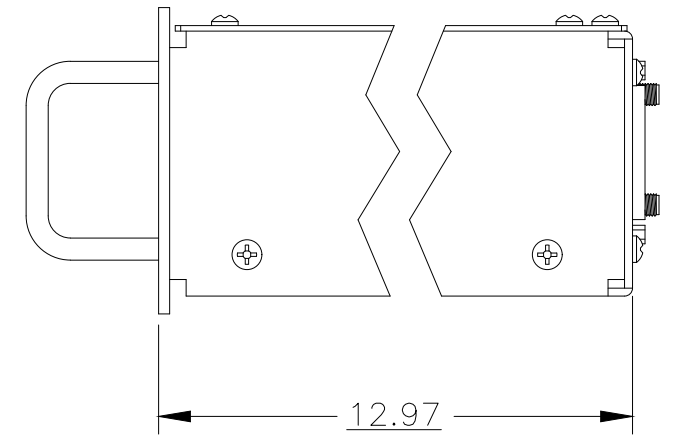
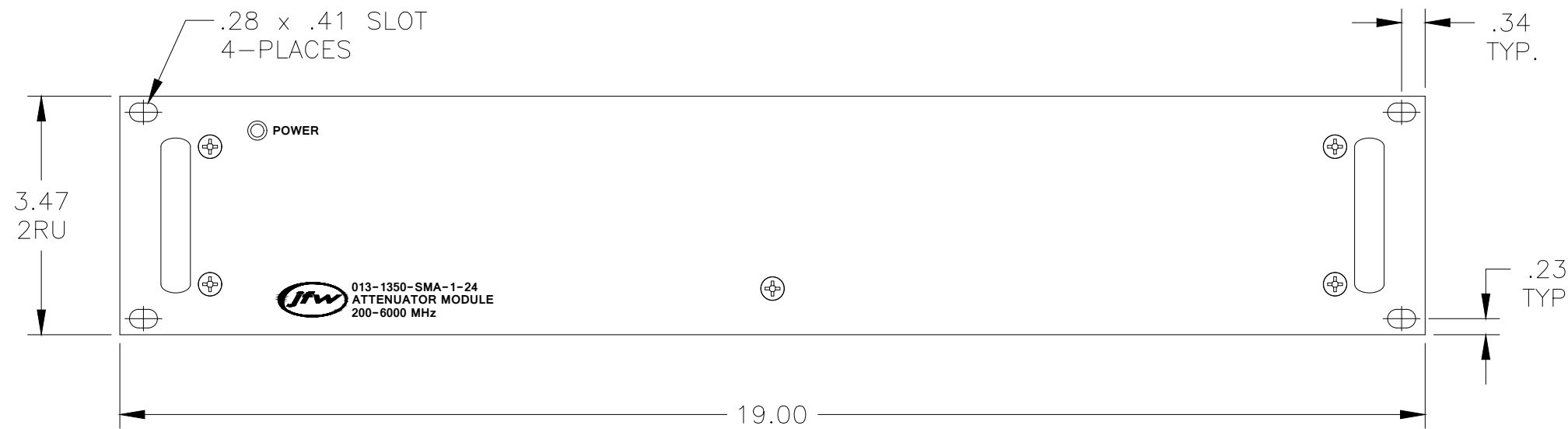
PH: 317-887-1340



REAR VIEW


NOTE: SCREENING SHOWN FOR 013-1351-N-1-12

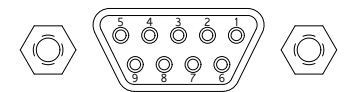
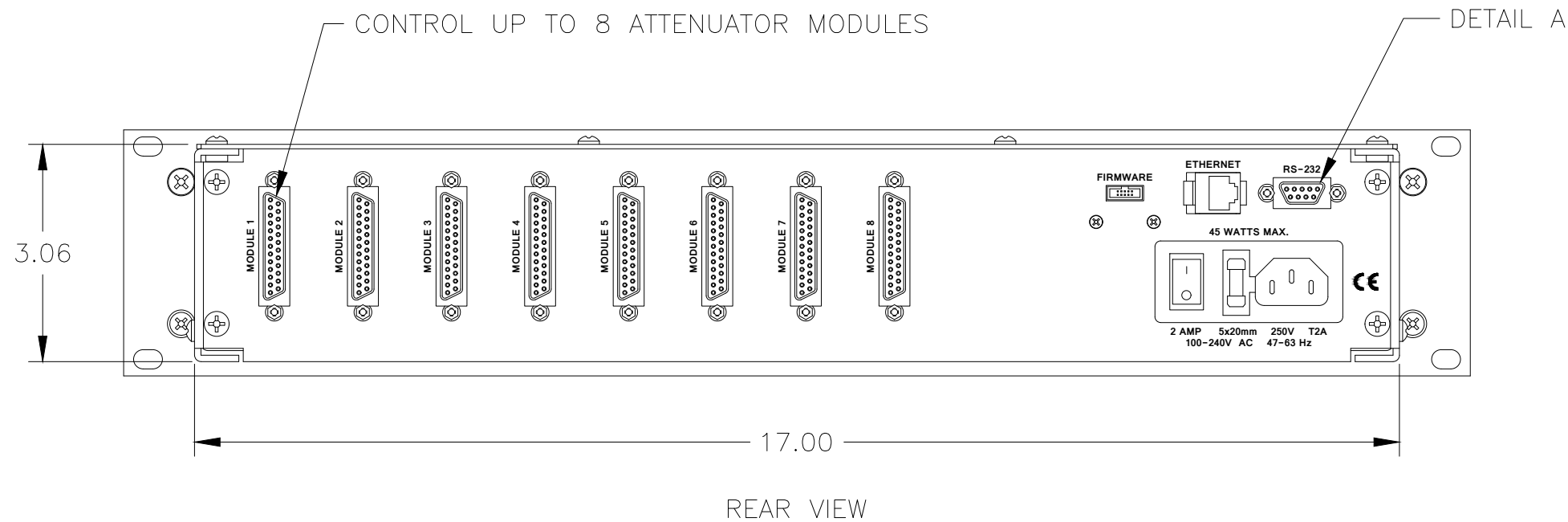
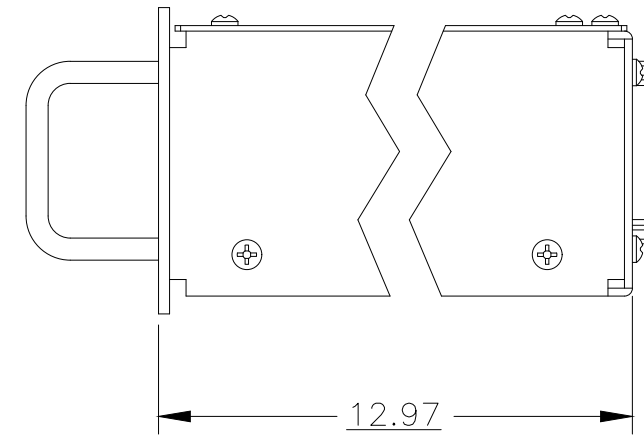
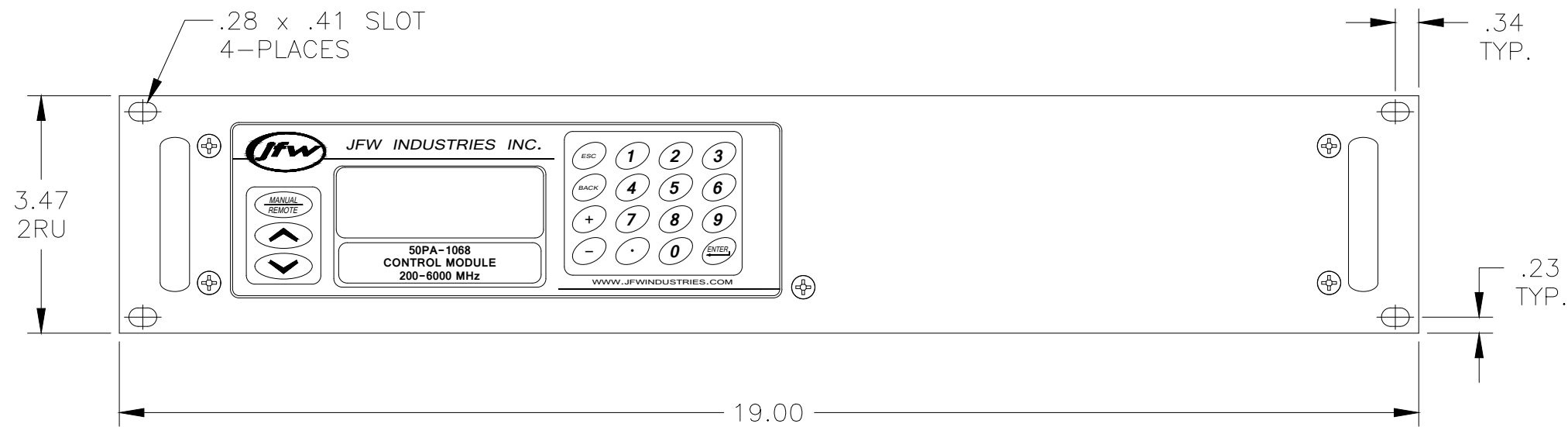
REV	ECN	DATE	BY	APPR		
-	ISSUED	12-19-17	TEZ	TRS		
A	30111	1-20-20	JZ	TRS		
					 JFW INDUSTRIES, INC. www.jfwindustries.com PH: 317-887-1340	
MATERIAL					ALUMINUM ALLOY	PROPRIETARY INFORMATION
FINISH					CHEMFILM TCP / FRONT: BLACK	ALL SURFACES ARE TO BE FREE OF BURRS, PITS, & SCRATCHES
MODEL					013-1351-N-1-12	TOLERANCES .XX±.010 .XXX±.005 XX'±.5'
DESCRIPTION					ATTENUATOR MODULE	DWG # 092-8988-03
					SCALE 1/2	



REAR VIEW


NOTE: SCREENING SHOWN FOR 013-1350-SMA-1-24

REV	ECN	DATE	BY	APPR	 JFW INDUSTRIES, INC. www.jfwindustries.com PH: 317-887-1340	
-	ISSUED	12-19-17	TEZ	TRS	MATERIAL ALUMINUM ALLOY FINISH CHEMFILM TCP / FRONT: BLACK MODEL 013-1350-SMA-1-24 SCALE 1/2 DESCRIPTION ATTENUATOR MODULE	
A	30111	1-20-20	JZ	TRS		
					PROPRIETARY INFORMATION ALL SURFACES ARE TO BE FREE OF BURRS, PITS, & SCRATCHES TOLERANCES .XX±.010 .XXX±.005 XX±.5' DWG # 092-8988-02	



DETAIL A
DE-9S

PIN	FUNCTION
1	CHASSIS GROUND
2	RECEIVED DATA
3	TRANSMITTED DATA
4	NO CONNECTION
5	SIGNAL GROUND
6	NO CONNECTION
7	RTS
8	CTS
9	NO CONNECTION

REV	ECN	DATE	BY	APPR	 JFW INDUSTRIES, INC. www.jfwindustries.com PH: 317-887-1340		
-	ISSUED	12-19-17	TEZ	TRS			
A	30111	1-20-20	JZ	TRS			
					MATERIAL	ALUMINUM ALLOY	PROPRIETARY INFORMATION
					FINISH	CHEMFILM TCP / FRONT: BLACK	ALL SURFACES ARE TO BE FREE OF BURRS, PITS, & SCRATCHES
					MODEL	50PA-1068	TOLERANCES .XX±.010 .XXX±.005 XX'±.5'
					DESCRIPTION	CONTROL MODULE	DWG # 092-8988-01