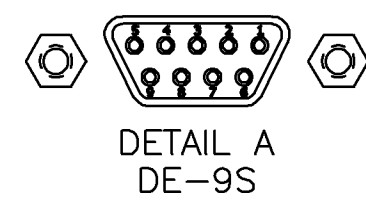
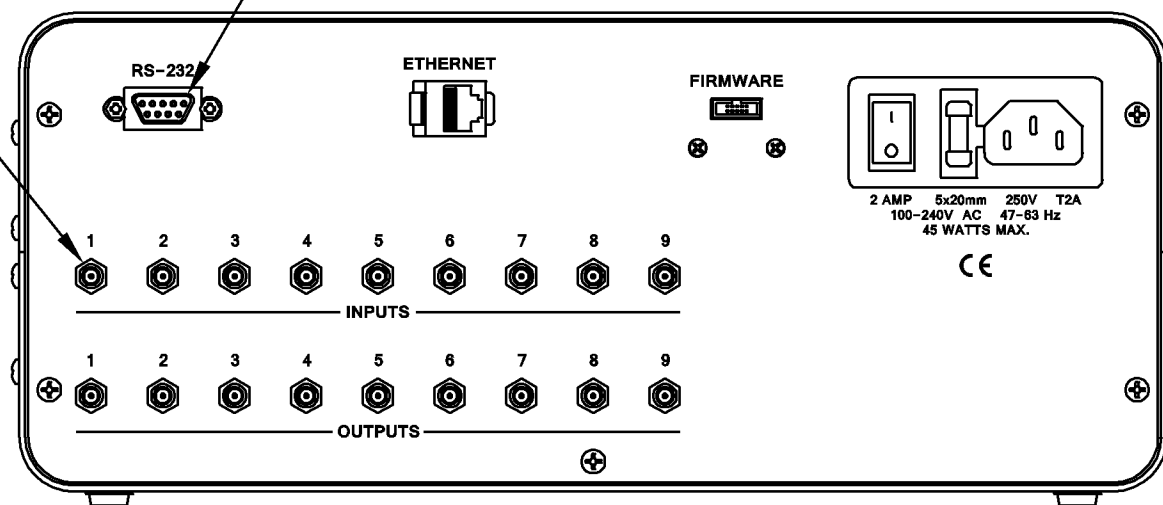


DETAIL A

SMA FEMALE
18-PLACES



PIN	FUNCTION
1	CHASSIS GROUND
2	RECEIVED DATA
3	TRANSMITTED DATA
4	NO CONNECTION
5	SIGNAL GROUND
6	NO CONNECTION
7	RTS
8	CTS
9	NO CONNECTION

REAR VIEW

REV	ECN	DATE	BY	APPR	JFW INDUSTRIES, INC.	
-	ISSUED	11-10-08	BZ	TEZ	www.jfwindustries.com PH: 317-887-1340	
A	24240	6-18-14	JZ	TEZ		
B	24846	1-22-15	JZ	BZ		
C	25150	3-27-15	JZ	TEZ		
D	27610	10-31-18	JZ	TEZ		
MATERIAL					ALUMINUM ALLOY	PROPRIETARY INFORMATION
FINISH					CASE: BLACK PAINT / FRONT & REAR: GRAY PAINT	ALL SURFACES ARE TO BE FREE OF BURRS, PITS, & SCRATCHES
MODEL					50PA-XXX	TOLERANCES .XX±.010 .XXX±.005 .XX±.5
DESCRIPTION					PROGRAMMABLE ATTENUATOR	DWG # 092-5989