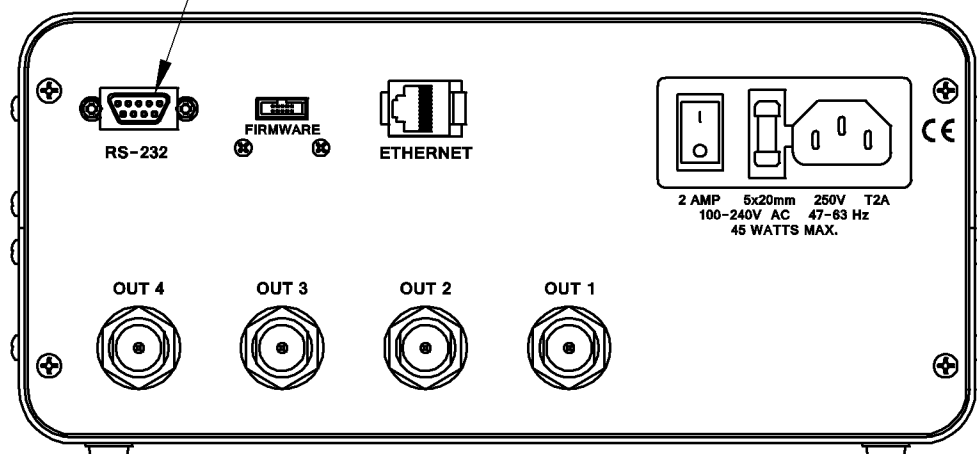


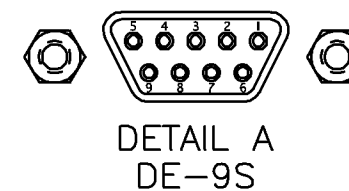
N FEMALE  
8-PLACES



DETAIL A



REAR VIEW



PIN	FUNCTION
1	CHASSIS GROUND
2	RECEIVED DATA
3	TRANSMITTED DATA
4	NO CONNECTION
5	SIGNAL GROUND
6	NO CONNECTION
7	RTS
8	CTS
9	NO CONNECTION

REV	ECN	DATE	BY	APPR
-	ISSUED	11-10-08	BZ	TEZ
A	24240	5-13-14	JZ	TEZ
B	24846	1-22-15	JZ	BZ
C	25150	4-1-15	BZ	TEZ
D	27610	3-6-17	JZ	TEZ
E	30661	9-28-20	GM	JZ

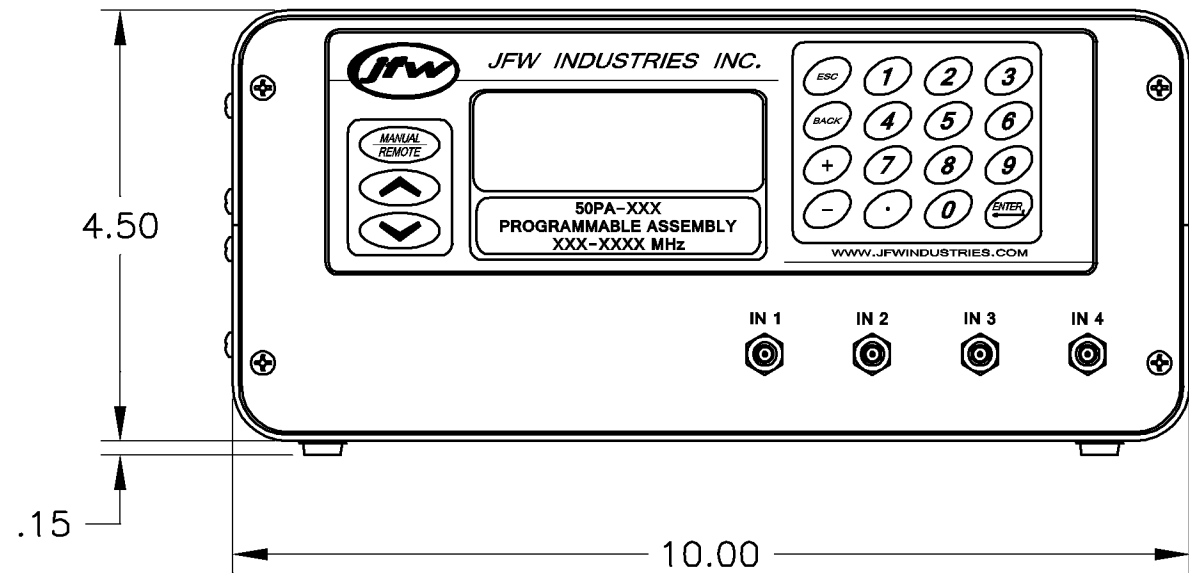


**JFW INDUSTRIES, INC.**

www.jfwindustries.com

PH: 317-887-1340

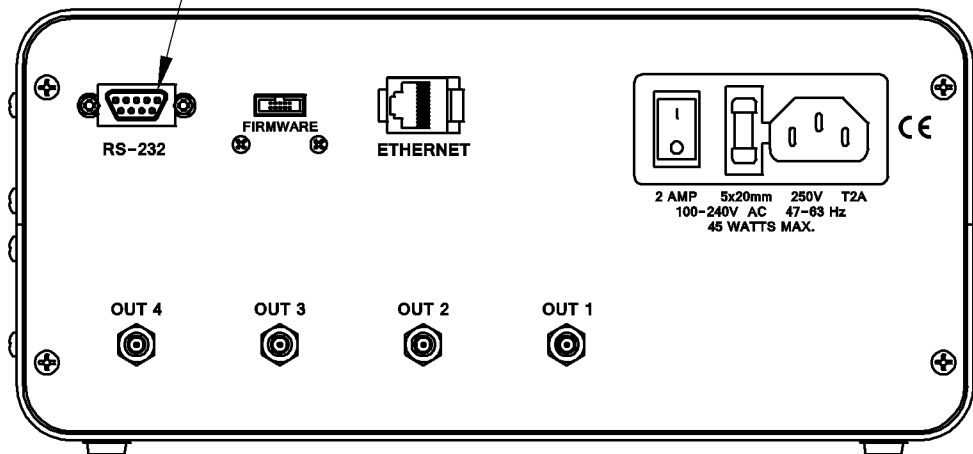
MATERIAL	ALUMINUM ALLOY	PROPRIETARY INFORMATION
FINISH	CASE: BLACK PAINT / FRONT & REAR: GRAY PAINT	ALL SURFACES ARE TO BE FREE OF BURRS, PITS, & SCRATCHES
MODEL	50PA-XXX	TOLERANCES .XX±.010 .XXX±.005 .XX±.5
DESCRIPTION	PROGRAMMABLE ATTENUATOR	DWG # 092-5986



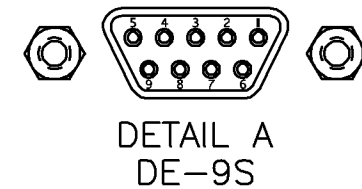
SMA FEMALE  
8-PLACES




DETAIL A



REAR VIEW



PIN	FUNCTION
1	CHASSIS GROUND
2	RECEIVED DATA
3	TRANSMITTED DATA
4	NO CONNECTION
5	SIGNAL GROUND
6	NO CONNECTION
7	RTS
8	CTS
9	NO CONNECTION

REV	ECN	DATE	BY	APPR	 <b>JFW INDUSTRIES, INC.</b> www.jfwindustries.com      PH: 317-887-1340	
-	ISSUED	11-10-08	BZ	TEZ		
A	24240	6-13-14	JZ	TEZ		
B	24846	1-22-15	JZ	BZ		
C	25150	4-1-15	JZ	TEZ		
D	27610	3-6-17	JZ	TEZ		
E	30661	9-22-20	JZ	JZ		
MATERIAL					ALUMINUM ALLOY	PROPRIETARY INFORMATION
FINISH					CASE: BLACK PAINT / FRONT & REAR: GRAY PAINT	ALL SURFACES ARE TO BE FREE OF BURRS, PITS, & SCRATCHES
MODEL					50PA-XXX	TOLERANCES .XX±.010 .XXX±.005 .XX±.5
DESCRIPTION					PROGRAMMABLE ATTENUATOR	DWG # 092-5987