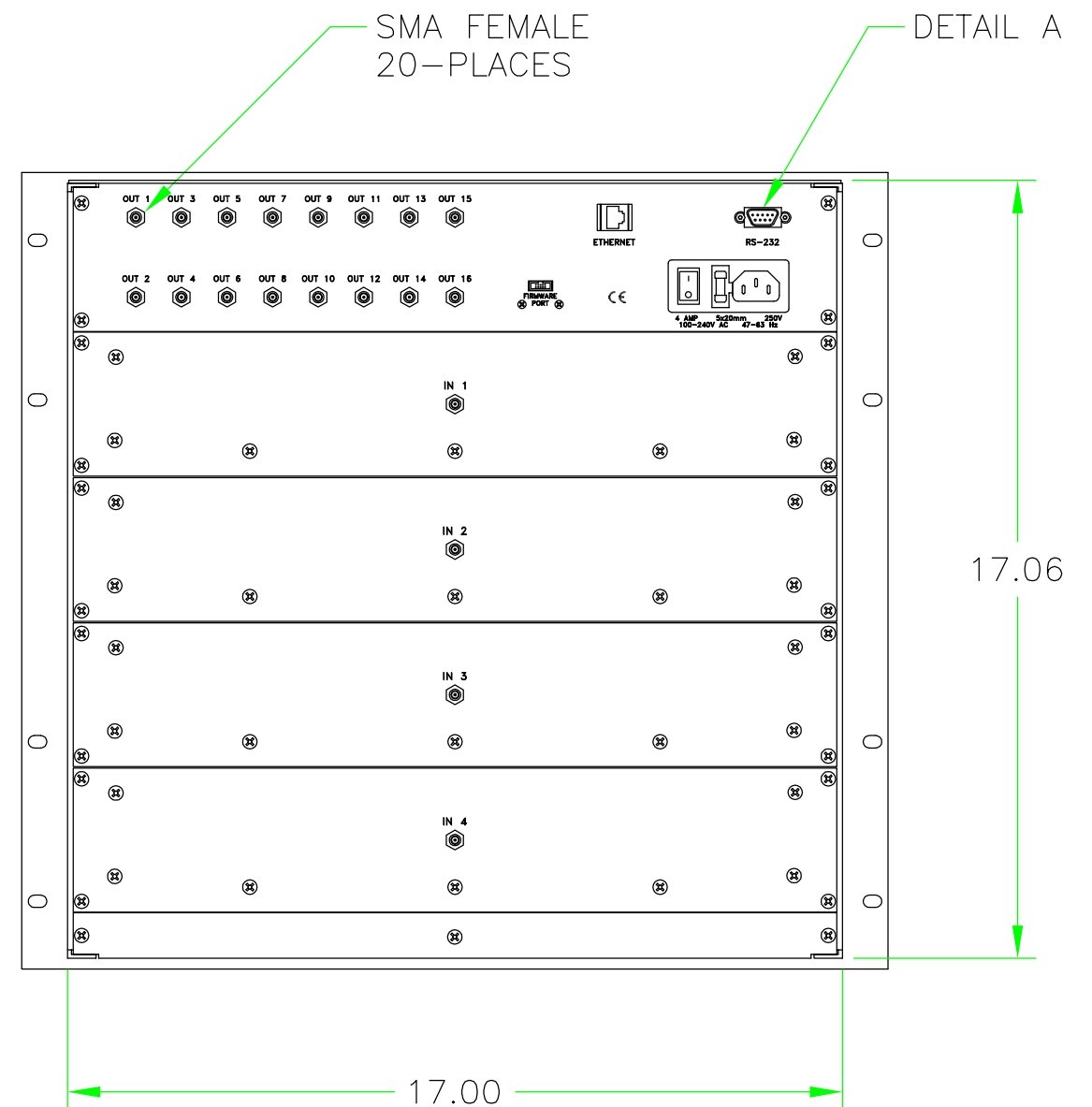


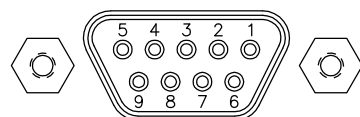
FRONT VIEW



REAR VIEW

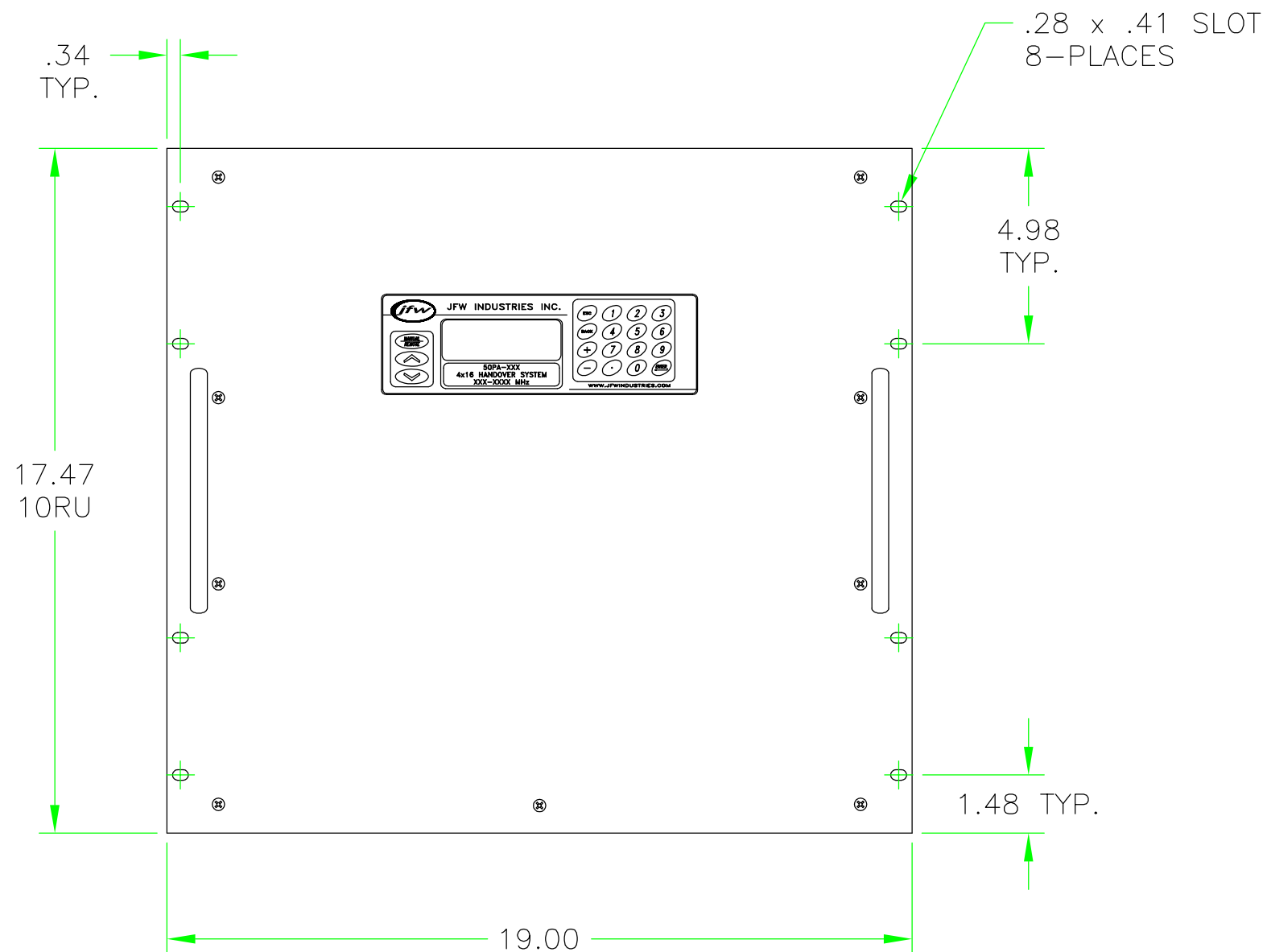
CHASSIS DEPTH = 21.47

PIN	FUNCTION
1	CHASSIS GROUND
2	RECEIVED DATA
3	TRANSMITTED DATA
4	NO CONNECTION
5	SIGNAL GROUND
6	NO CONNECTION
7	RTS
8	CTS
9	NO CONNECTION

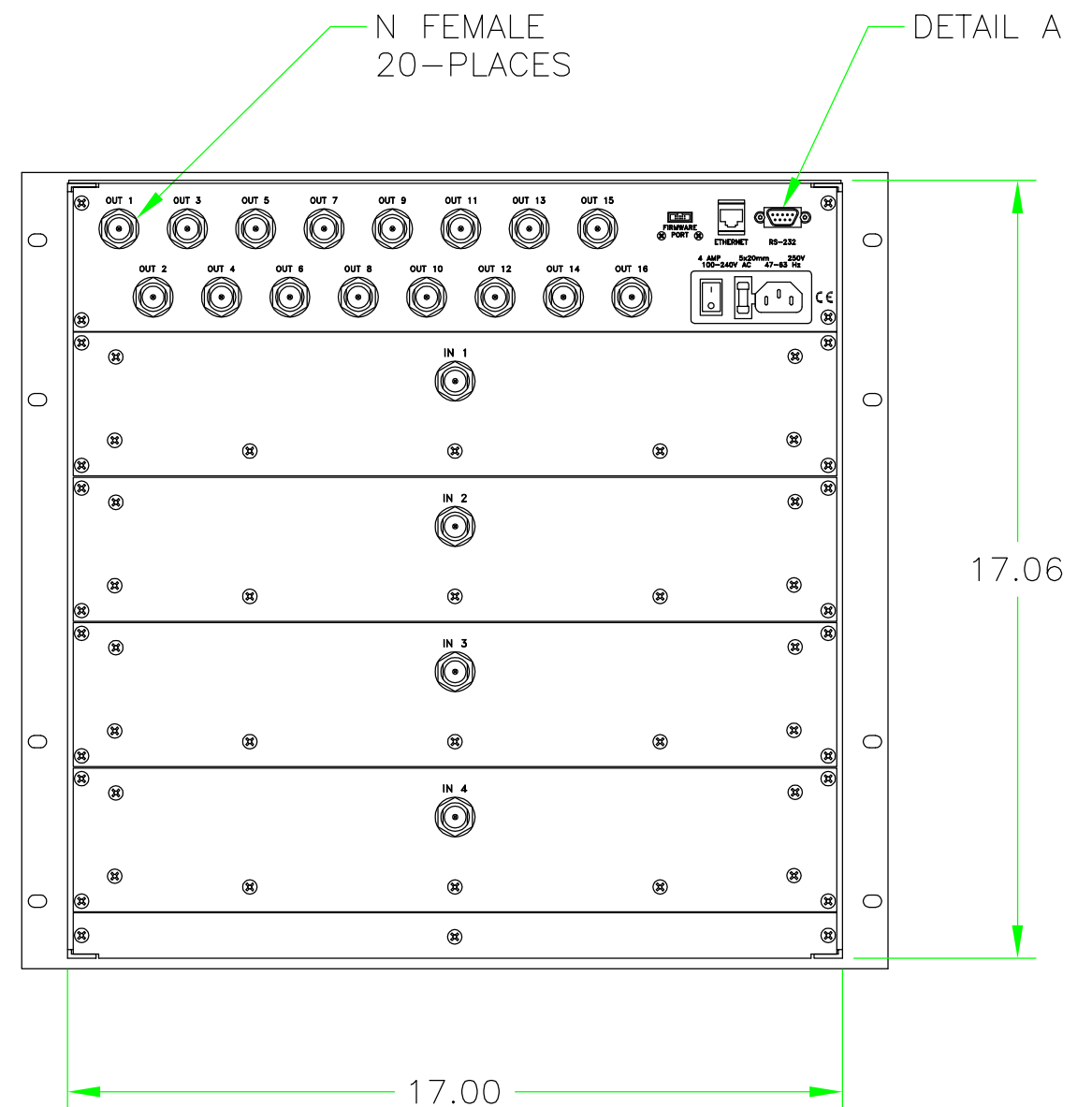


DETAIL A
DE-9S

REV	ECN	DATE	BY	APPR	JFW INDUSTRIES, INC.	
-	ISSUED	11-15-13	TEZ	CLK	JFW INDUSTRIES, INC. www.jfwindustries.com PH: 317-887-1340	
A	23819	3-3-14	JZ	BZ		
B	24240	10-28-14	JZ	CLK		
C	24846	1-15-15	TEZ	TEZ		
MATERIAL					ALUMINUM ALLOY	PROPRIETARY INFORMATION
FINISH					CHEMFILM TCP / FRONT: BLACK	ALL SURFACES ARE TO BE FREE OF BURRS, PITS, & SCRATCHES
MODEL					50PA-XXX	TOLERANCES .XX±.010 .XXX±.005 XX'±.5'
DESCRIPTION					4x16 HANDOVER SYSTEM	DWG # 092-7870
					SCALE 1/4	



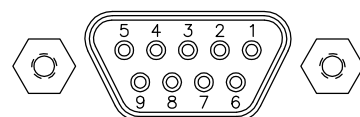
FRONT VIEW



REAR VIEW

CHASSIS DEPTH = 21.47

PIN	FUNCTION
1	CHASSIS GROUND
2	RECEIVED DATA
3	TRANSMITTED DATA
4	NO CONNECTION
5	SIGNAL GROUND
6	NO CONNECTION
7	RTS
8	CTS
9	NO CONNECTION



DETAIL A
DE-9S

REV	ECN	DATE	BY	APPR
-	ISSUED	11-4-14	BZ	CLK
A	24846	1-15-15	TEZ	TEZ



JFW INDUSTRIES, INC.

www.jfwindustries.com

PH: 317-887-1340

MATERIAL	ALUMINUM ALLOY	PROPRIETARY INFORMATION
FINISH	CHEMFILM TCP / FRONT: BLACK	ALL SURFACES ARE TO BE FREE OF BURRS, PITS, & SCRATCHES
MODEL	50PA-XXX	TOLERANCES .XX±.010 .XXX±.005 XX'±.5'
DESCRIPTION	4x16 HANDOVER SYSTEM	DWG #
		092-8149