

PIN	FUNCTION
1	CHASSIS GROUND
2	RECEIVED DATA
3	TRANSMITTED DATA
4	NO CONNECTION
5	SIGNAL GROUND
6	NO CONNECTION
7	RTS
8	CTS
9	NO CONNECTION

REV	ECN	DATE	BY	APPR
-	ISSUED	2-19-13	DCK	CLK
A	22592	3-5-13	JZ	TEZ
B	24240	6-17-14	JZ	TEZ
C	224846	1-22-15	JZ	BZ
D	27610	5-19-17	JZ	TEZ
E	29186	11-28-18	JZ	TRS

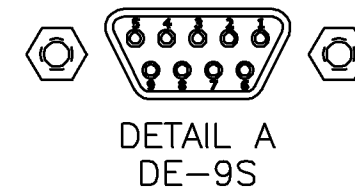
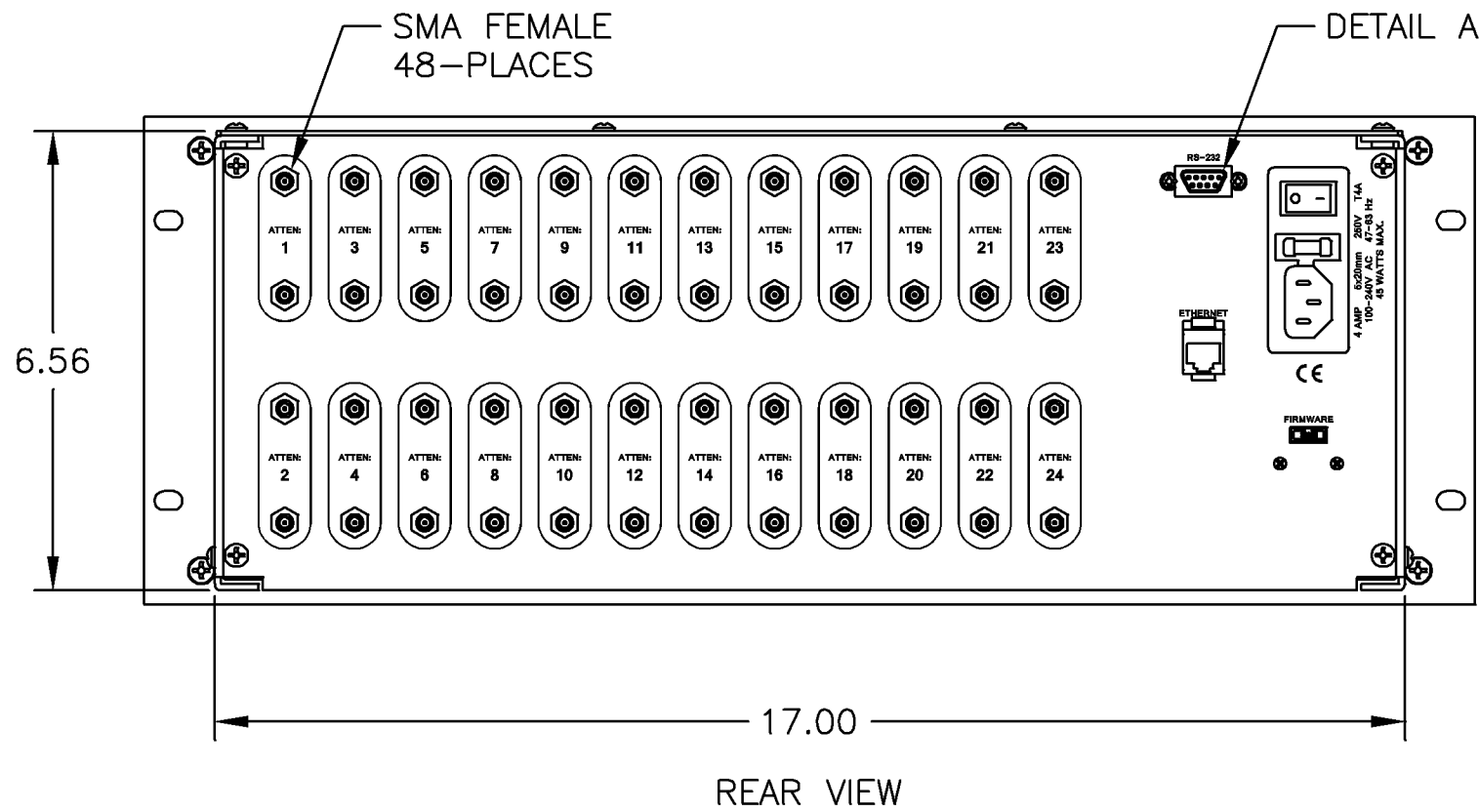
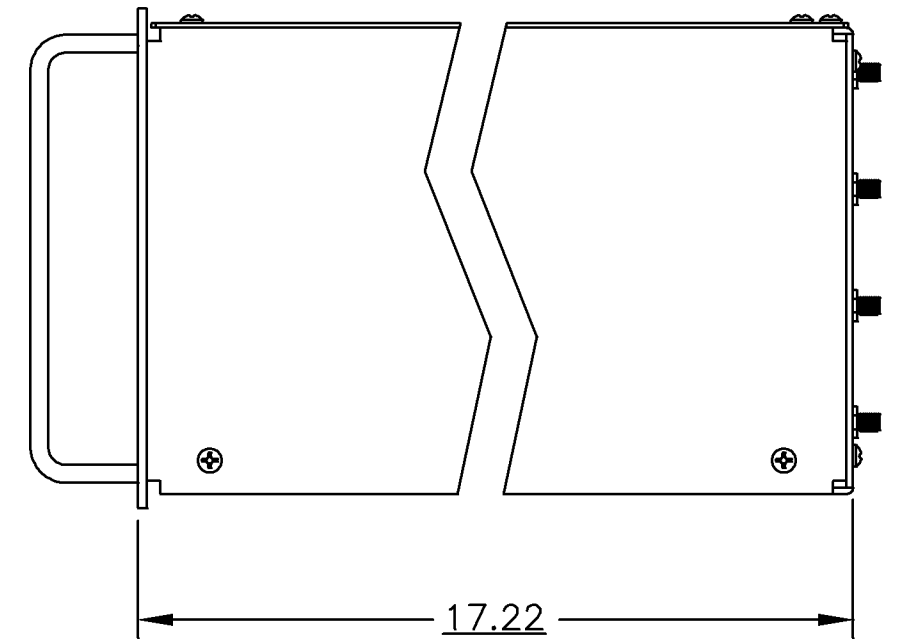
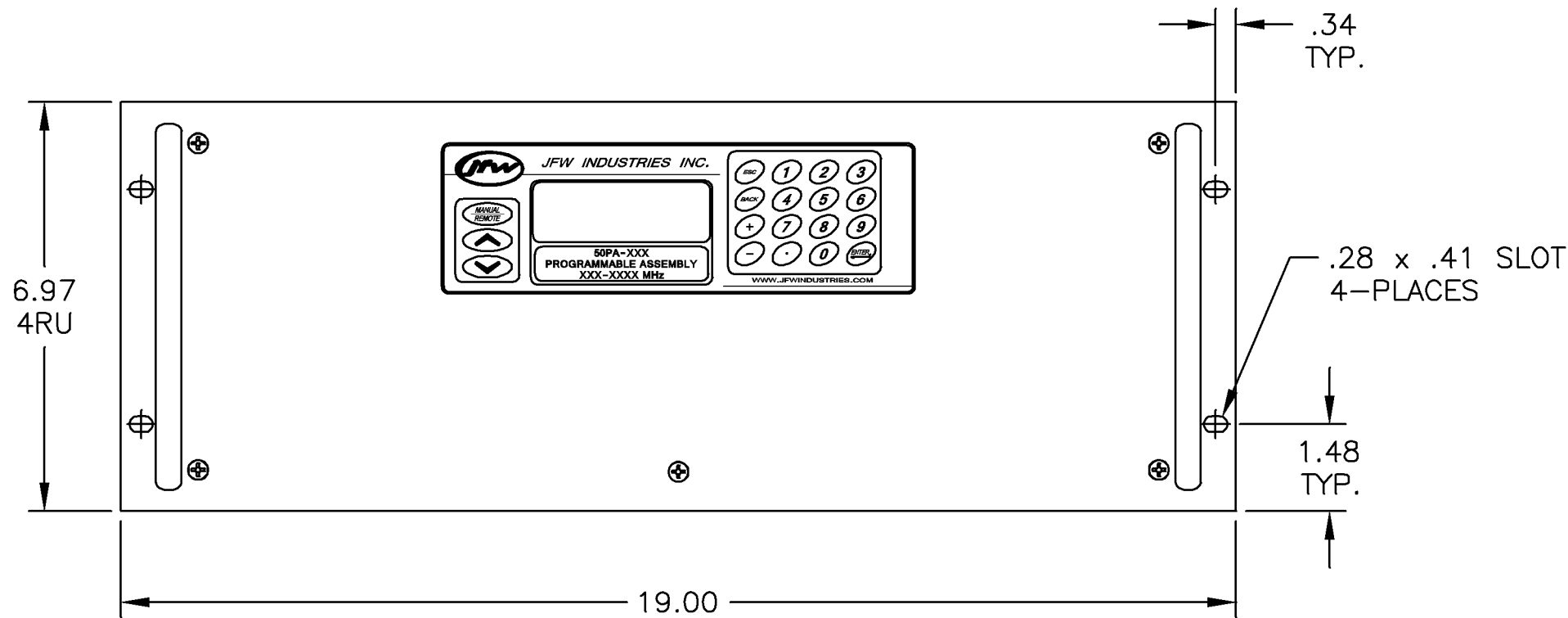


**JFW INDUSTRIES, INC.**

www.jfwindustries.com

PH: 317-887-1340

MATERIAL	ALUMINUM ALLOY	PROPRIETARY INFORMATION
FINISH	CHEMFILM TCP / FRONT: BLACK	ALL SURFACES ARE TO BE FREE OF BURRS, PITS, & SCRATCHES
MODEL	50PA-XXX	TOLERANCES .XX±.010 .XXX±.005 .XX±.5'
DESCRIPTION	PROGRAMMABLE ASSEMBLY	DWG # 092-7621



PIN	FUNCTION
1	CHASSIS GROUND
2	RECEIVED DATA
3	TRANSMITTED DATA
4	NO CONNECTION
5	SIGNAL GROUND
6	NO CONNECTION
7	RTS
8	CTS
9	NO CONNECTION

REV	ECN	DATE	BY	APPR
-	ISSUED	12-13-13	TEZ	TRS
A	24240	6-17-14	JZ	TEZ
B	24846	1-22-15	JZ	TRS
C	27243	11-9-16	JZ	TEZ
D	27610	5-9-18	JZ	TEZ

**JFW INDUSTRIES, INC.**  
www.jfwindustries.com PH: 317-887-1340

MATERIAL	ALUMINUM ALLOY	PROPRIETARY INFORMATION
FINISH	CHEMFILM TCP / FRONT: BLACK	ALL SURFACES ARE TO BE FREE OF BURRS, PITS, & SCRATCHES
MODEL	50PA-XXX	TOLERANCES .XX±.010 .XXX±.005 .XX±.5
DESCRIPTION	PROGRAMMABLE ASSEMBLY	DWG # 092-7899