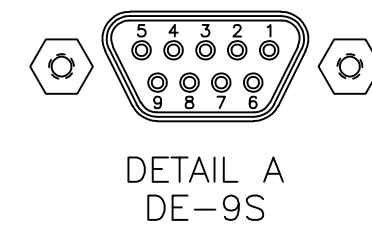
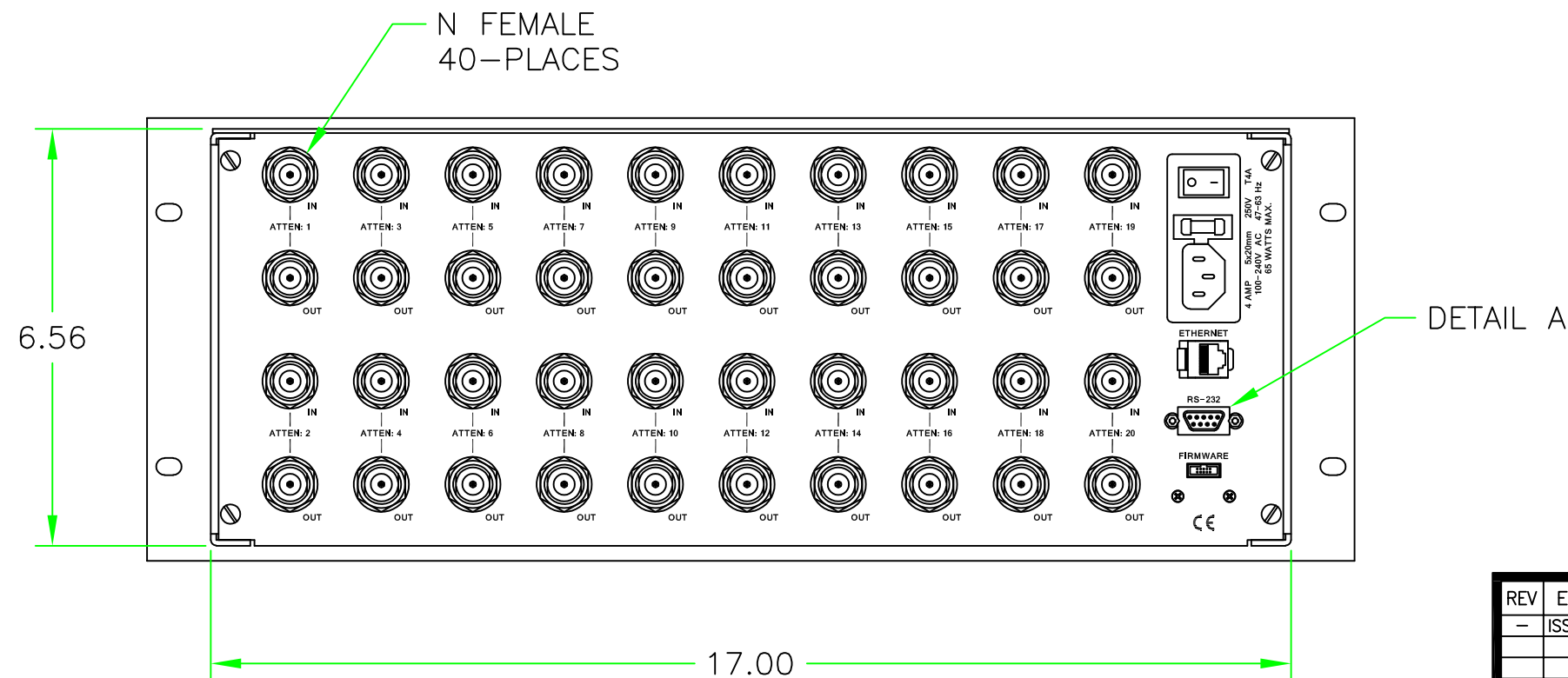
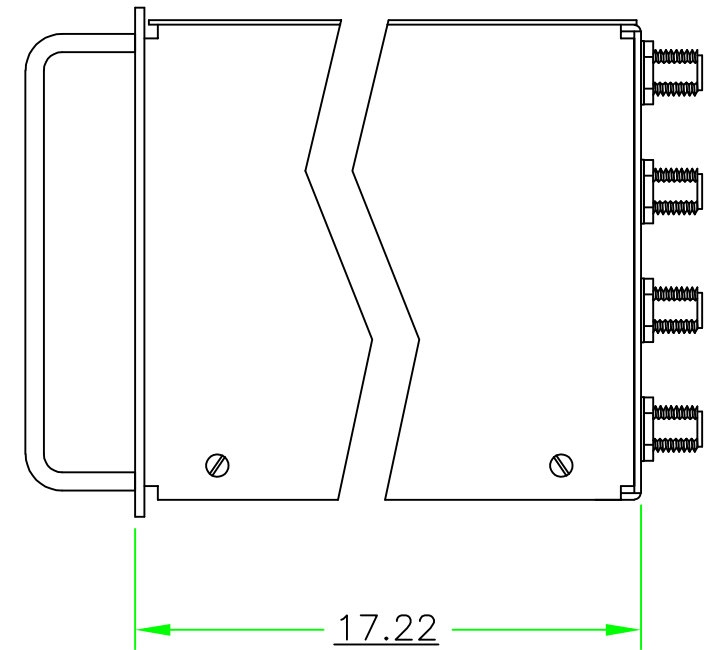
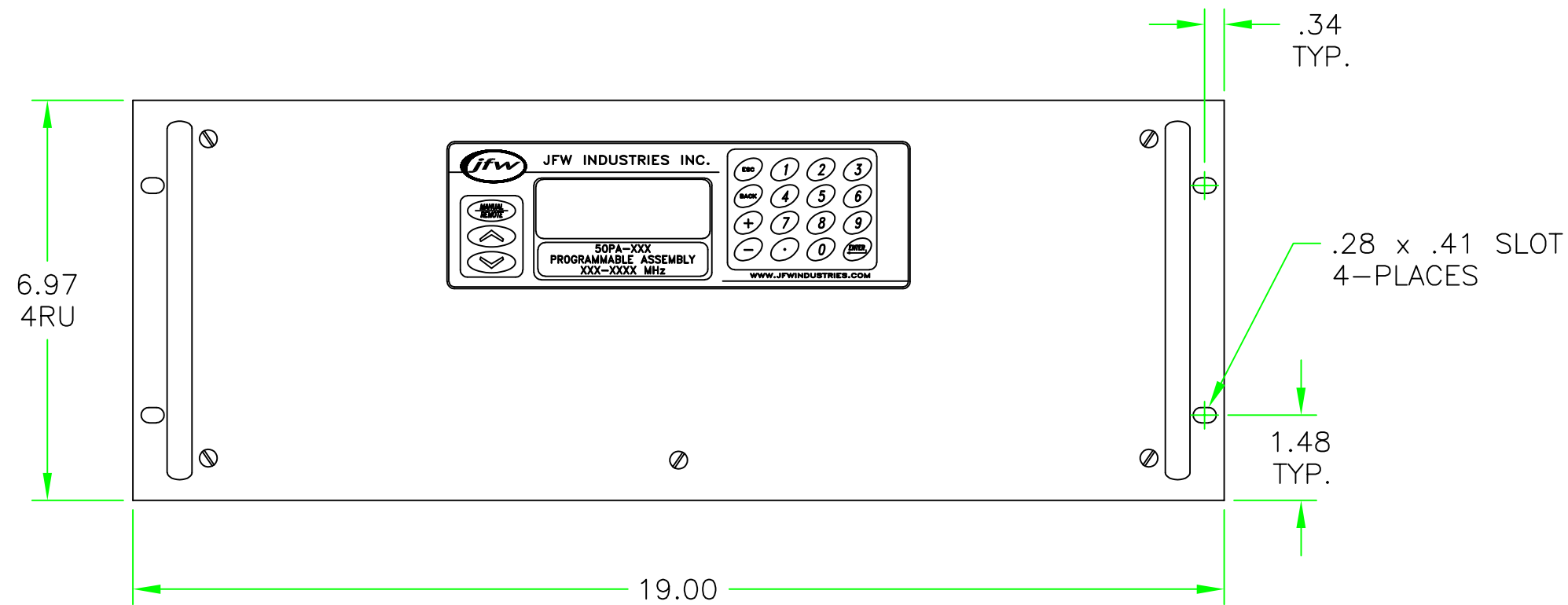


PIN	FUNCTION
1	CHASSIS GROUND
2	RECEIVED DATA
3	TRANSMITTED DATA
4	NO CONNECTION
5	SIGNAL GROUND
6	NO CONNECTION
7	RTS
8	CTS
9	NO CONNECTION

REV	ECN	DATE	BY	APPR	JFW INDUSTRIES, INC. www.jfwindustries.com PH: 317-887-1340	
-	ISSUED	3-4-14	DTS	TRS		
A	24240	6-19-14	JZ	TEZ		
B	24846	1-22-15	JZ	TRS		
C	30018	11-21-19	GM	JZ		
MATERIAL					ALUMINUM ALLOY	PROPRIETARY INFORMATION
FINISH					CHEMFILM TCP / FRONT: BLACK	ALL SURFACES ARE TO BE FREE OF BURRS, PITS, & SCRATCHES
MODEL					50PA-XXX	TOLERANCES .XX±.010 .XXX±.005 XX'±.5'
DESCRIPTION					PROGRAMMABLE ASSEMBLY	DWG # 092-7949



PIN	FUNCTION
1	CHASSIS GROUND
2	RECEIVED DATA
3	TRANSMITTED DATA
4	NO CONNECTION
5	SIGNAL GROUND
6	NO CONNECTION
7	RTS
8	CTS
9	NO CONNECTION

REAR VIEW

REV	ECN	DATE	BY	APPR
-	ISSUED	2-29-19	DTS	TRS



JFW INDUSTRIES, INC.

www.jfwindustries.com

PH: 317-887-1340

MATERIAL	ALUMINUM ALLOY	PROPRIETARY INFORMATION
FINISH	CHEMFILM TCP / FRONT: BLACK	ALL SURFACES ARE TO BE FREE OF BURRS, PITS, & SCRATCHES
MODEL	50PA-XXX	TOLERANCES .XX±.010 .XXX±.005 .XX'±.5'
DESCRIPTION	PROGRAMMABLE ASSEMBLY	DWG # 092-7949-01

SCALE 3/8