

DETAIL A
DE-9S

PIN	FUNCTION
1	CHASSIS GROUND
2	RECEIVED DATA
3	TRANSMITTED DATA
4	NO CONNECTION
5	SIGNAL GROUND
6	NO CONNECTION
7	RTS
8	CTS
9	NO CONNECTION

REAR VIEW

NOTE: SEE JFW# 092-5895 FOR BLOCK DIAGRAM

REV	ECN	DATE	BY	APPR
-	ISSUED	12-21-11	BZ	TEZ
A	24240	6-16-14	JZ	TEZ
B	24846	1-22-15	JZ	BZ

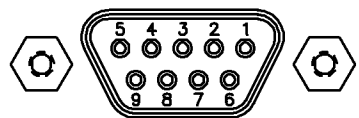
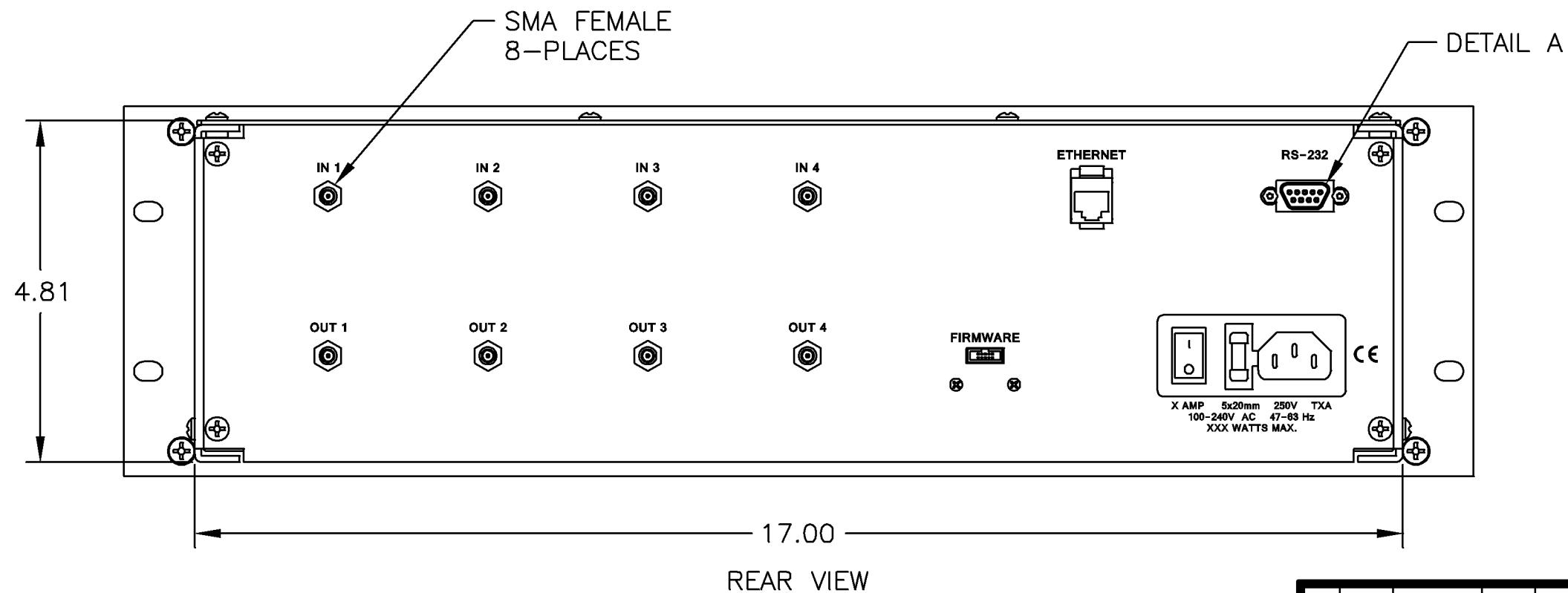
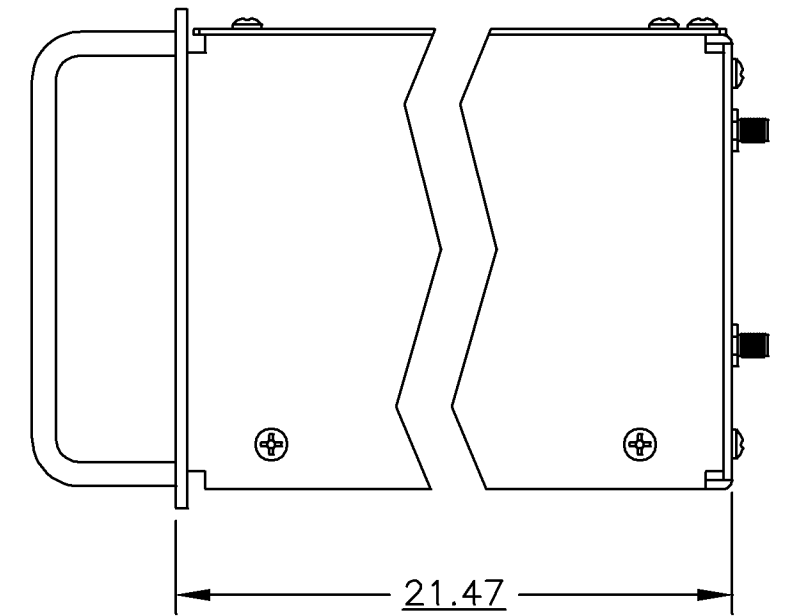
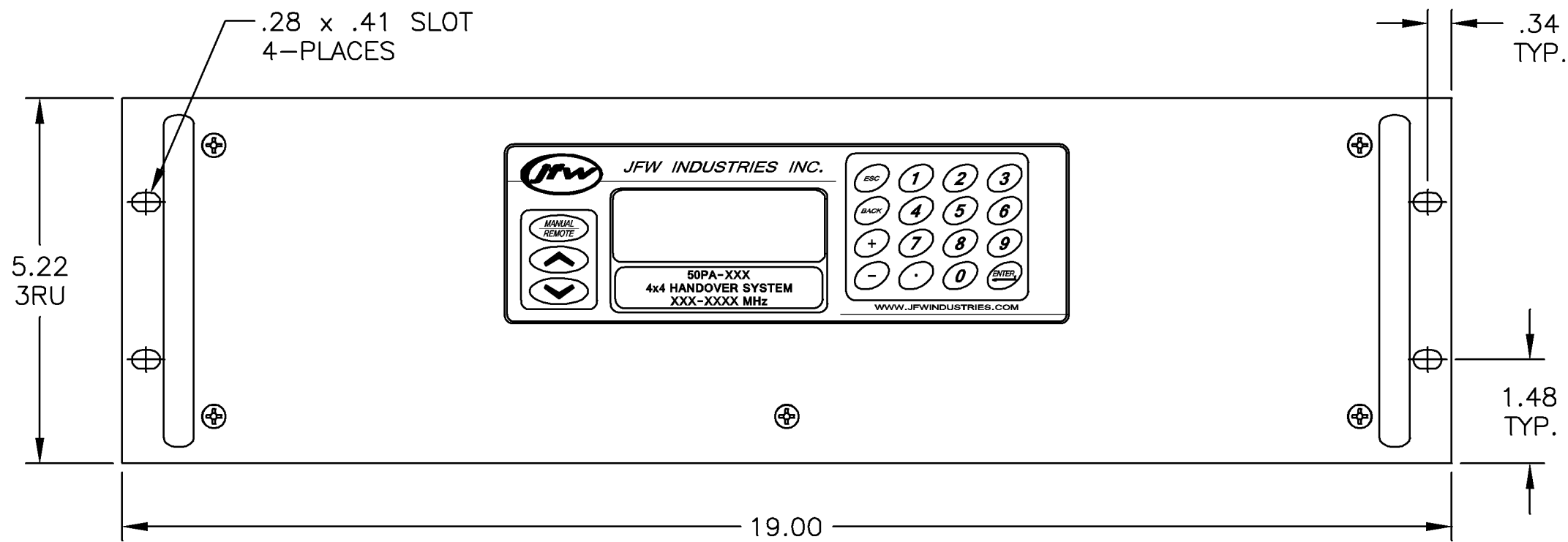


JFW INDUSTRIES, INC.

www.jfwindustries.com

PH: 317-887-1340

MATERIAL	ALUMINUM ALLOY	PROPRIETARY INFORMATION
FINISH	CHEMFILM TCP / FRONT: BLACK	ALL SURFACES ARE TO BE FREE OF BURRS, PITS, & SCRATCHES
MODEL	50PA-XXX	SCALE 1/2
DESCRIPTION	4x4 HANDOVER TEST SYSTEM	TOLERANCES .XX±.010 .XXX±.005 XX'±.5'
		DWG # 092-7175



DETAIL A
DE-9S

PIN	FUNCTION
1	CHASSIS GROUND
2	RECEIVED DATA
3	TRANSMITTED DATA
4	NO CONNECTION
5	SIGNAL GROUND
6	NO CONNECTION
7	RTS
8	CTS
9	NO CONNECTION

NOTE: SEE JFW# 092-5895 FOR BLOCK DIAGRAM

REV	ECN	DATE	BY	APPR
-	ISSUED	3-29-12	TEZ	TEZ
A	24240	6-16-14	JZ	TEZ
B	24846	1-22-15	JZ	BZ
C	27610	3-9-17	JZ	TEZ



JFW INDUSTRIES, INC.

www.jfwindustries.com

PH: 317-887-1340

MATERIAL	ALUMINUM ALLOY	PROPRIETARY INFORMATION
FINISH	CHEMFILM TCP / FRONT: BLACK	ALL SURFACES ARE TO BE FREE OF BURRS, PITS, & SCRATCHES
MODEL	50PA-XXX	TOLERANCES .XX±.010 .XXX±.005 .XX±.5
DESCRIPTION	4x4 HANDOVER TEST SYSTEM	DWG # 092-7175-01