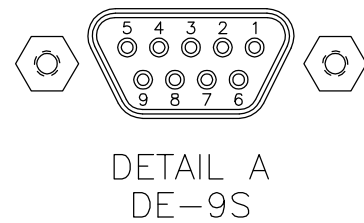


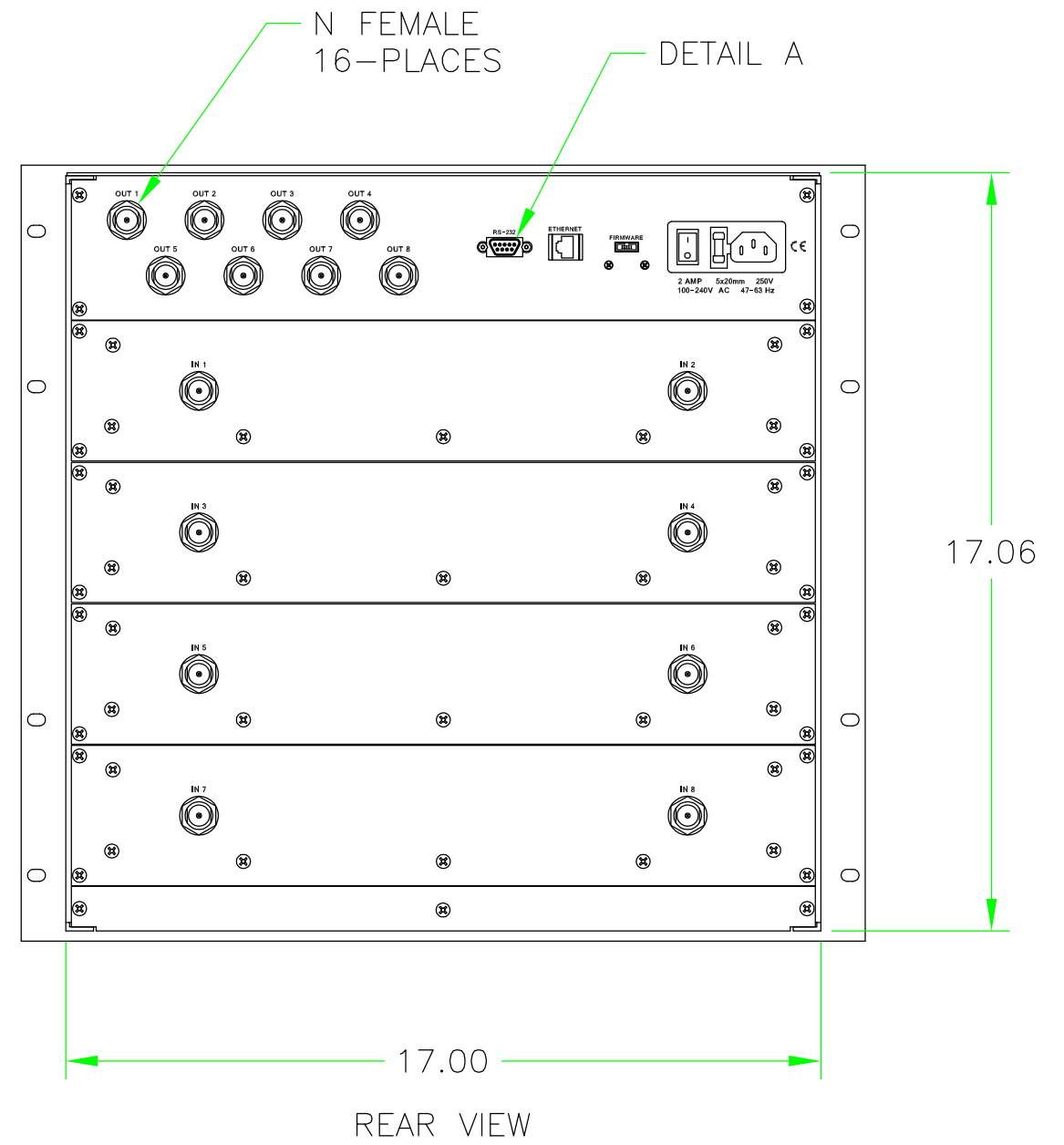
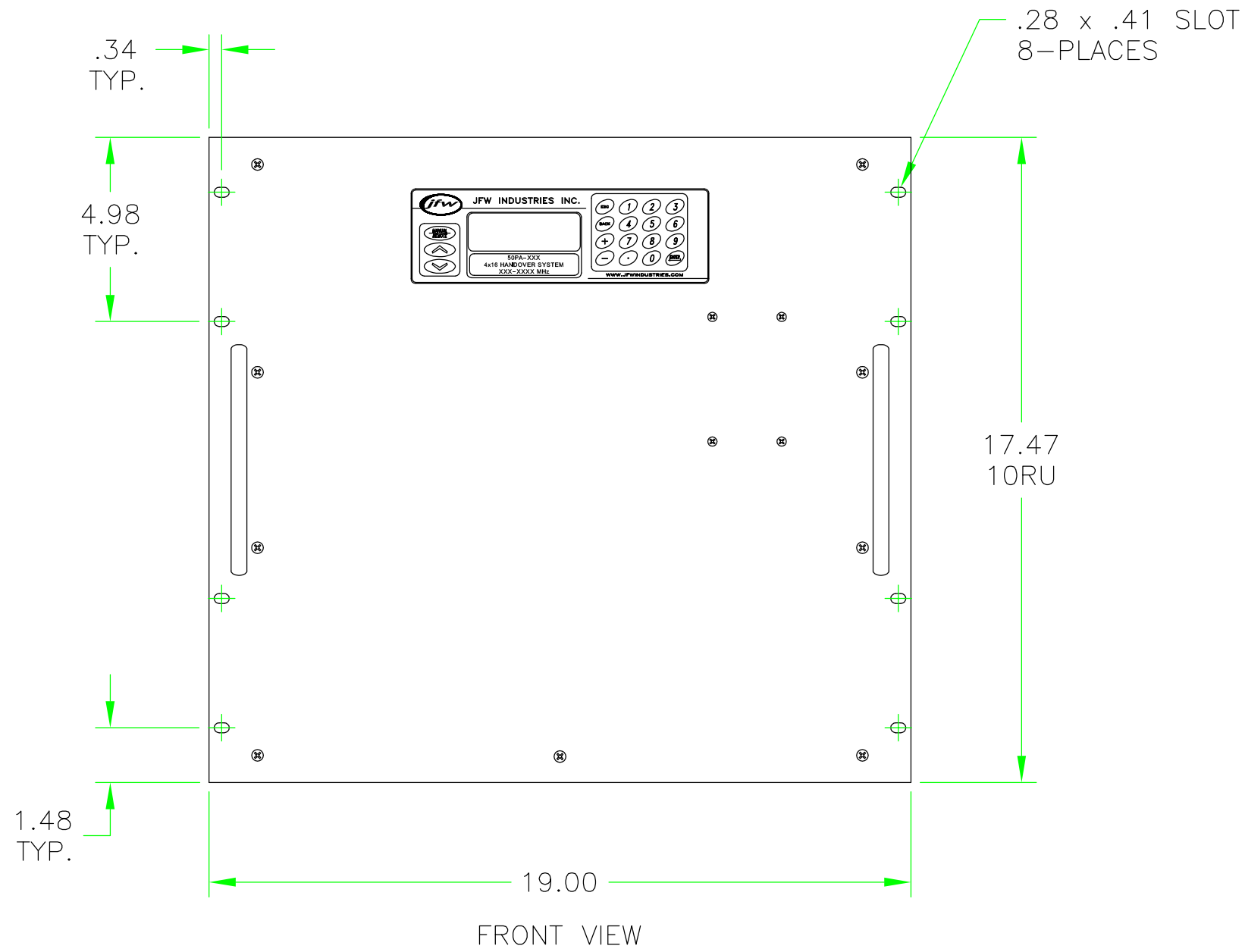
CHASSIS DEPTH = 21.47

PIN	FUNCTION
1	CHASSIS GROUND
2	RECEIVED DATA
3	TRANSMITTED DATA
4	NO CONNECTION
5	SIGNAL GROUND
6	NO CONNECTION
7	RTS
8	CTS
9	NO CONNECTION

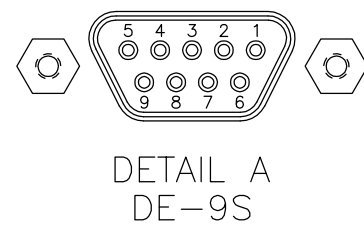


NOTE: SEE JFW# 092-6869 FOR BLOCK DIAGRAM

REV	ECN	DATE	BY	APPR		
-	ISSUED	10-22-14	JZ	TEZ		
A	24846	11-9-15	JZ	TEZ		
					<b>jfw</b> <b>JFW INDUSTRIES, INC.</b>	
					www.jfwindustries.com PH: 317-887-1340	
					MATERIAL	ALUMINUM ALLOY
					FINISH	CHEMFILM TCP / FRONT: BLACK
					MODEL	50PA-XXX
					DESCRIPTION	8x8 HANDOVER TEST SYSTEM
					SCALE	1/4
					PROPRIETARY INFORMATION ALL SURFACES ARE TO BE FREE OF BURRS, PITS, & SCRATCHES TOLERANCES .XX±.010 .XXX±.005 XX'±.5' DWG # 092-8131	




PIN	FUNCTION
1	CHASSIS GROUND
2	RECEIVED DATA
3	TRANSMITTED DATA
4	NO CONNECTION
5	SIGNAL GROUND
6	NO CONNECTION
7	RTS
8	CTS
9	NO CONNECTION



CHASSIS DEPTH = 21.47

NOTE: SEE JFW# 092-6869 FOR BLOCK DIAGRAM

REV	ECN	DATE	BY	APPR	 <b>JFW INDUSTRIES, INC.</b> www.jfwindustries.com PH: 317-887-1340		
-	ISSUED	11-9-15	JZ	CLK	MATERIAL	ALUMINUM ALLOY	PROPRIETARY INFORMATION
					FINISH	CHEMFILM TCP / FRONT: BLACK	ALL SURFACES ARE TO BE FREE OF BURRS, PITS, & SCRATCHES
					MODEL	50PA-XXX	TOLERANCES .XX±.010 .XXX±.005 XX'±.5'
					DESCRIPTION	8x8 HANDOVER TEST SYSTEM	DWG # 092-8478