

DETAIL A DE-9S

PIN	FUNCTION
1	CHASSIS GROUND
2	RECEIVED DATA
3	TRANSMITTED DATA
4	NO CONNECTION
5	SIGNAL GROUND
6	NO CONNECTION
7	RTS
8	CTS
9	NO CONNECTION

REV	ECN	DATE	BY	APPR
-	ISSUED	10-22-15	JZ	TEZ
A	25849	10-29-15	BZ	TEZ
B	27110	9-23-16	DTS	TRS

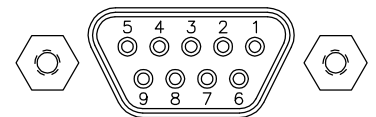
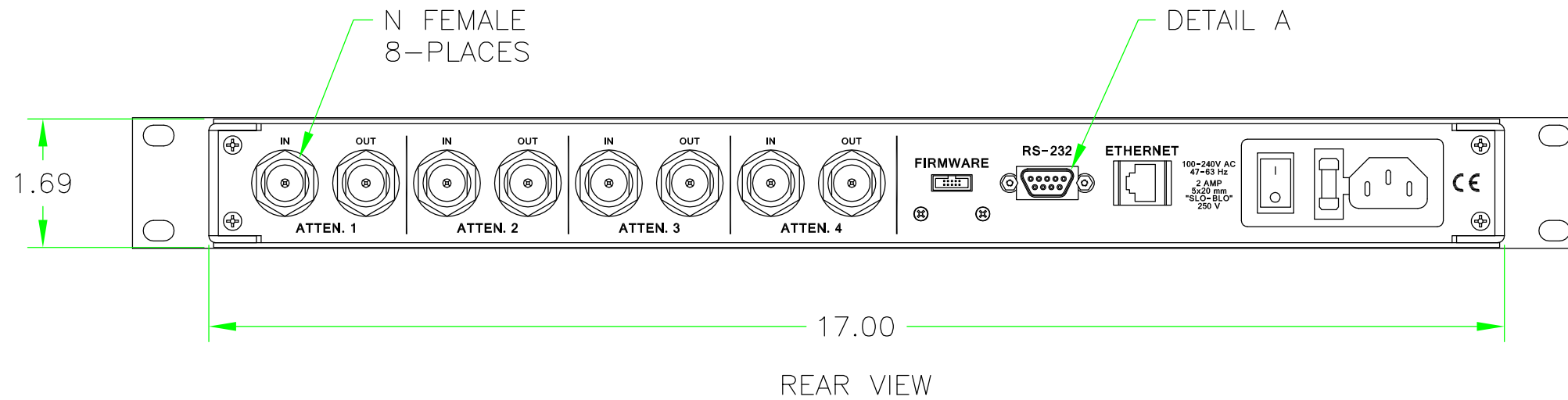
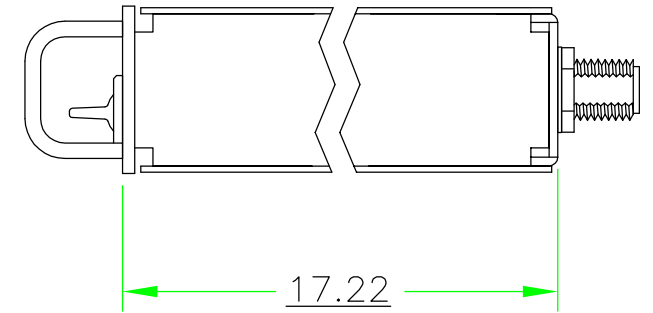
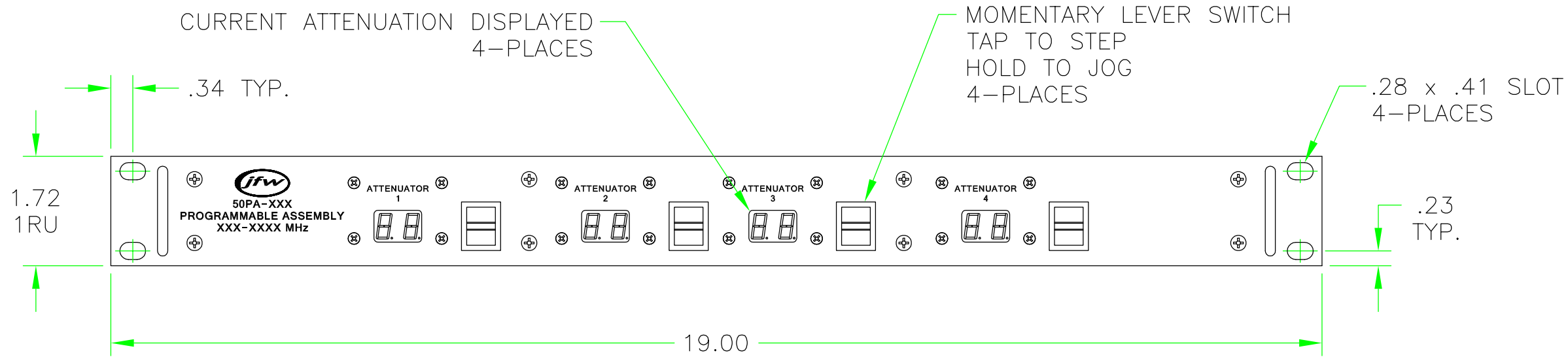


JFW INDUSTRIES, INC.

www.jfwindustries.com

PH: 317-887-1340

MATERIAL	ALUMINUM ALLOY	PROPRIETARY INFORMATION
FINISH	CHEMFILM TCP / FRONT: BLACK	ALL SURFACES ARE TO BE FREE OF BURRS, PITS, & SCRATCHES
MODEL	50PA-XXX	TOLERANCES .XX±.010 .XXX±.005 XX'±.5'
DESCRIPTION	PROGRAMMABLE ASSEMBLY	DWG # 092-8456-02



DETAIL A
DE-9S

PIN	FUNCTION
1	CHASSIS GROUND
2	RECEIVED DATA
3	TRANSMITTED DATA
4	NO CONNECTION
5	SIGNAL GROUND
6	NO CONNECTION
7	RTS
8	CTS
9	NO CONNECTION

REV	ECN	DATE	BY	APPR
-	ISSUED	10-22-15	JZ	TEZ
A	27110	9-23-16	DTS	TRS



JFW INDUSTRIES, INC.

www.jfwindustries.com

PH: 317-887-1340

MATERIAL	ALUMINUM ALLOY	PROPRIETARY INFORMATION
FINISH	CHEMFILM TCP / FRONT: BLACK	ALL SURFACES ARE TO BE FREE OF BURRS, PITS, & SCRATCHES
MODEL	50PA-XXX	TOLERANCES .XX±.010 .XXX±.005 XX'±.5'
DESCRIPTION	PROGRAMMABLE ASSEMBLY	DWG # 092-8456-04