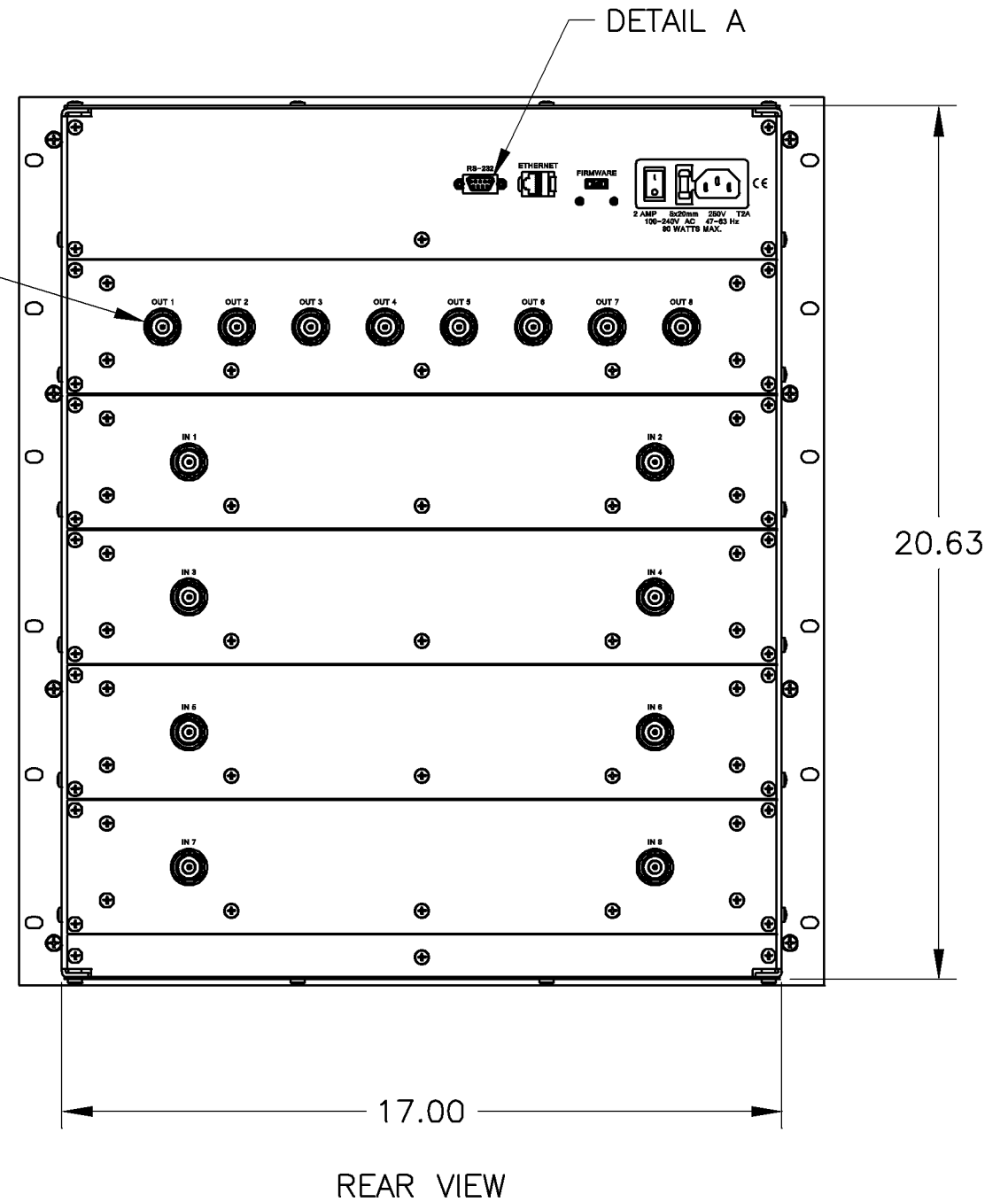


N FEMALE
16-PLACES



PIN	FUNCTION
1	CHASSIS GROUND
2	RECEIVED DATA
3	TRANSMITTED DATA
4	NO CONNECTION
5	SIGNAL GROUND
6	NO CONNECTION
7	RTS
8	CTS
9	NO CONNECTION



CHASSIS DEPTH = 21.47

NOTE: SEE JFW# 092-6969 FOR BLOCK DIAGRAM

REV	ECN	DATE	BY	APPR
-	ISSUED	11-13-15	JZ	CLK
A	27610	12-7-20	JZ	JZ



JFW INDUSTRIES, INC.

www.jfwindustries.com

PH: 317-887-1340

MATERIAL	ALUMINUM ALLOY	PROPRIETARY INFORMATION
FINISH	CHEMFILM TCP / FRONT: BLACK	ALL SURFACES ARE TO BE FREE OF BURRS, PITS, & SCRATCHES
MODEL	50PA-XXX	TOLERANCES .XX±.010 .XXX±.005 XX±.5
DESCRIPTION	8x8 HANDOVER TEST SYSTEM	DWG # 092-8481