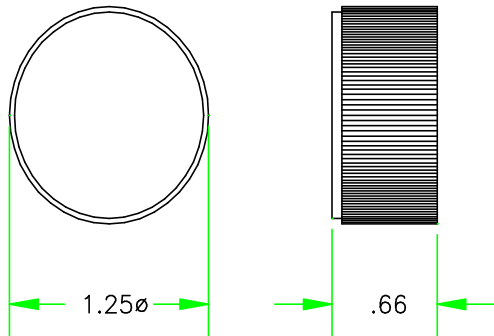



NOTE : KNOB WILL BE MARKED WITH ATTEN. STEPS



				JFW INDUSTRIES, INC. INDIANAPOLIS, IN		PROPRIETARY INFORMATION	
						ALL SURFACES ARE TO BE FREE OF BURRS, PITS, & SCRATCHES	
						TOLERANCES	
						FRACTIONAL DIM. ± 1/64	
						2 PLACE DECIMAL ± .010	
						3 PLACE DECIMAL ± .005	
						ANGULAR DIM. ± 1/2°	
						DWG NO. 092-1537	
REV	ECH	DATE	BY	DRAWN BY	CDJ	DATE	12-11-00
A	3618	5-01-92	PT	APPD BY		SCALE	FULL
B	3939	4-19-93	TEZ				
C	6532	12-11-00	CDJ	MATERIAL ALUMINUM ALLOY			
D	6580	1-17-01	CDJ	FINISH CHEMFILM TCP			
E	6750	6-11-01	CDJ	DESCRIPTION 50R & 75R : ROTARY ATTENUATOR			
F	12635	4-20-06	ETW				