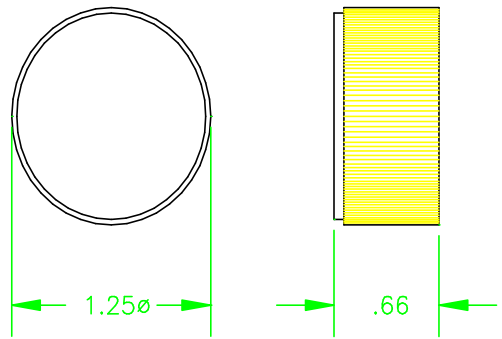



NOTE : KNOB WILL BE MARKED WITH ATTEN. STEPS



| | | | | | | | |
|--|-------|----------|-----|---|-----|---|----------|
|  | | | | JFW INDUSTRIES, INC. INDIANAPOLIS, IN | | PROPRIETARY INFORMATION | |
| | | | | | | ALL SURFACES ARE TO BE FREE OF BURRS, PITS, & SCRATCHES | |
| | | | | | | TOLERANCES | |
| | | | | | | FRACTIONAL DIM. ± 1/64 | |
| | | | | | | 2 PLACE DECIMAL ± .010 | |
| | | | | | | 3 PLACE DECIMAL ± .005 | |
| | | | | | | ANGULAR DIM. ± 1/2 ° | |
| | | | | | | DWG NO. | |
| | | | | | | 092-1114 | |
| REV | ECN | DATE | BY | DRAWN BY | CDJ | DATE | 12-11-00 |
| A | 2489 | 5-02-89 | TEZ | APPD BY | | SCALE | FULL |
| B | 3007 | 8-09-90 | TEZ | MATERIAL ALUMINUM ALLOY | | | |
| C | 3784 | 10-26-92 | TEZ | | | | |
| D | 6532 | 12-11-00 | CDJ | FINISH CHEMFILM TCP | | | |
| E | 6750 | 6-11-01 | CDJ | | | | |
| F | 12635 | 4-20-06 | ETW | DESCRIPTION 50R-XXX : ROTARY ATTEN. | | | |
| | | | | | | | |
| | | | | | | | |
| | | | | | | | |