

PIN	FUNCTION
1	CHASSIS GROUND
2	RECEIVED DATA
3	TRANSMITTED DATA
4	NO CONNECTION
5	SIGNAL GROUND
6	NO CONNECTION
7	RTS
8	CTS
9	NO CONNECTION

REV	ECN	DATE	BY	APPR
-	ISSUED	7-14-05	BZ	TEZ
A	11948	10-5-05	TEZ	TEZ
B	13148	8-7-06	TEZ	TEZ
C	13698	12-20-06	BZ	TEZ
D	13720	12-29-06	BZ	TEZ
E	24759	12-3-14	DTS	TRS
F	24846	1-22-15	JZ	BZ

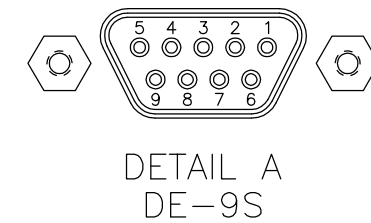
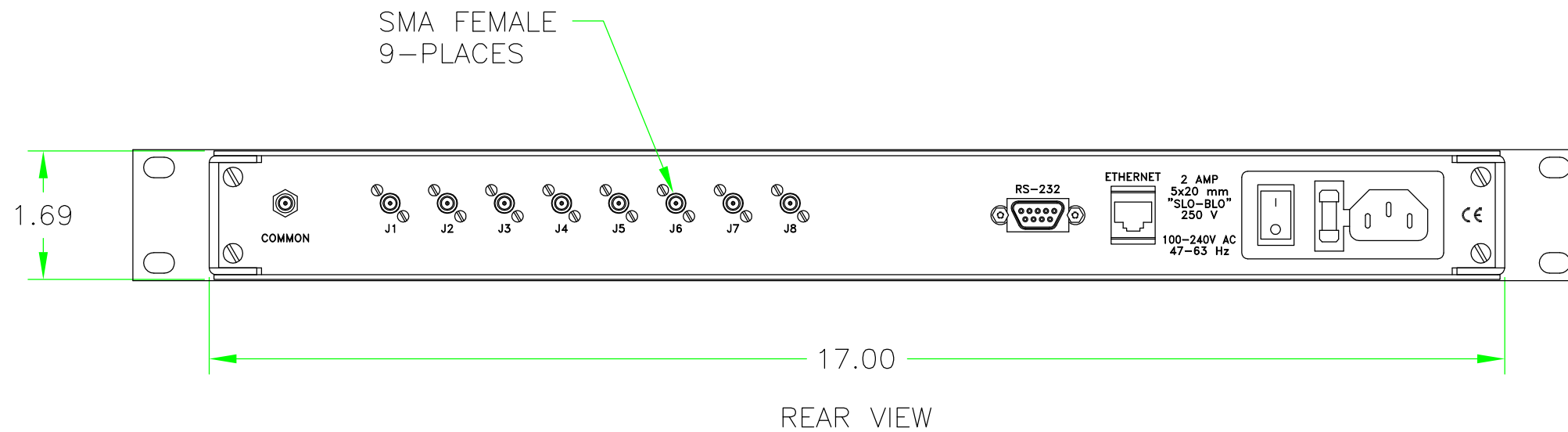
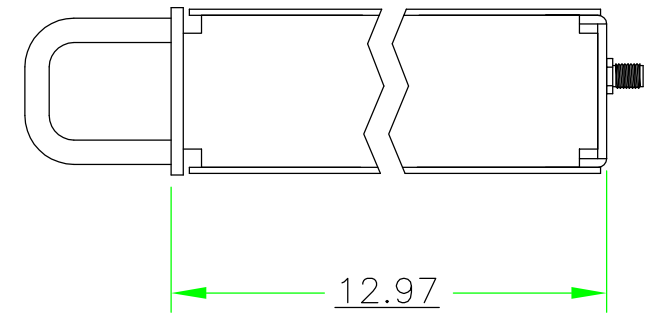
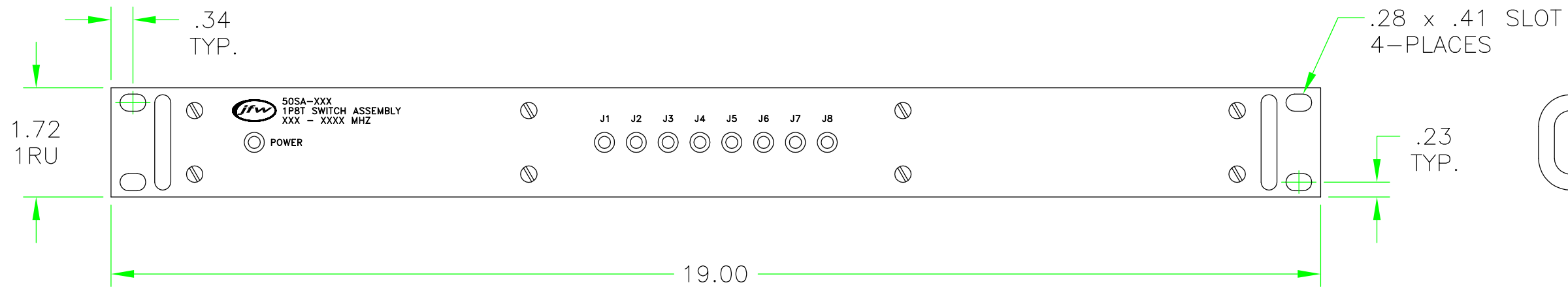


JFW INDUSTRIES, INC.

www.jfwindustries.com

PH: 317-887-1340

MATERIAL	ALUMINUM ALLOY	PROPRIETARY INFORMATION
FINISH	CHEMFILM TCP / FRONT: BLACK	ALL SURFACES ARE TO BE FREE OF BURRS, PITS, & SCRATCHES
MODEL	50SA-XXX	TOLERANCES .XX±.010 .XXX±.005 XX'±.5'
DESCRIPTION	1P8T SWITCH ASSEMBLY	DWG # 092-4863



PIN	FUNCTION
1	CHASSIS GROUND
2	RECEIVED DATA
3	TRANSMITTED DATA
4	NO CONNECTION
5	SIGNAL GROUND
6	NO CONNECTION
7	RTS
8	CTS
9	NO CONNECTION

REV	ECN	DATE	BY	APPR
-	ISSUED	1-4-07	BZ	TEZ
A	24759	12-3-14	DTS	TRS
B	24846	1-22-15	JZ	BZ



JFW INDUSTRIES, INC.

www.jfwindustries.com

PH: 317-887-1340

MATERIAL	ALUMINUM ALLOY	PROPRIETARY INFORMATION
FINISH	CHEMFILM TCP / FRONT: BLACK	ALL SURFACES ARE TO BE FREE OF BURRS, PITS, & SCRATCHES
MODEL	50SA-XXX	TOLERANCES .XX±.010 .XXX±.005 XX'±.5'
DESCRIPTION	1P8T SWITCH ASSEMBLY	DWG # 092-5285