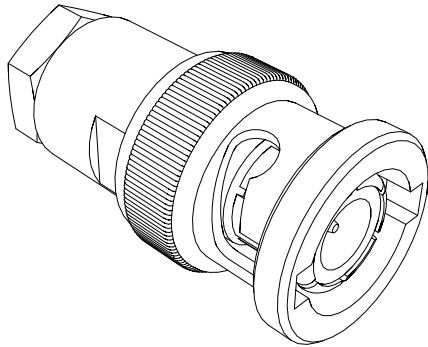
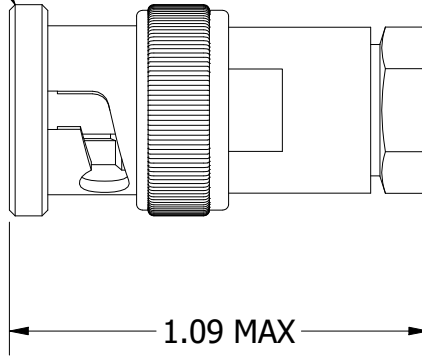


BNC MALE



REV	ECN	DATE	BY	APPR
-	ISSUED	8-6-97	CDJ	FDW
A	5338	8-6-97	CDJ	FDW
B	7094	4-23-02	CMB	TEZ
C	10111	11-3-04	BZ	TEZ
D	24444	9-6-19	GM	JZ



JFW INDUSTRIES, INC.

www.jfwindustries.com

PH: 317-887-1340

MATERIAL	PROPRIETARY INFORMATION			
FINISH	ALL SURFACES ARE TO BE FREE OF BURRS, PITS & SCRATCHES			
MODEL	TOLERANCES <table border="0"> <tr> <td>.XX±.010</td> <td>.XXX±.005</td> <td>XX°±.5°</td> </tr> </table>	.XX±.010	.XXX±.005	XX°±.5°
.XX±.010	.XXX±.005	XX°±.5°		
DESCRIPTION	DWG #			
TERMINATION	092-192			

SCALE
x2