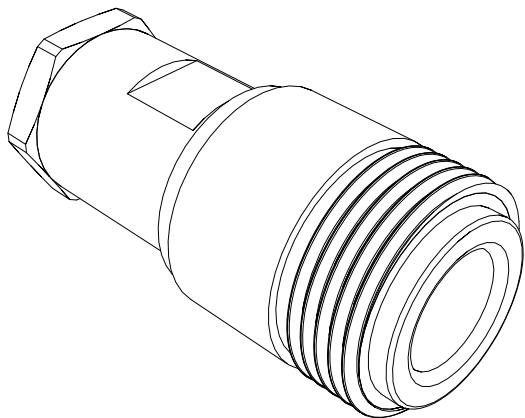
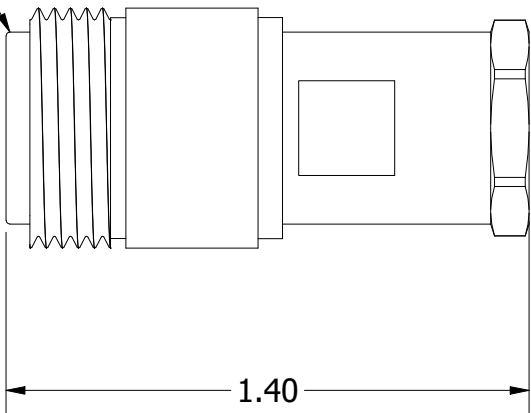


N FEMALE



REV	ECN	DATE	BY	APPR
-	ISSUED	3-4-93	---	FDW
A	7003	2-4-02	MAH	TEZ
B	10111	11-3-04	BZ	TEZ
C	24444	9-6-19	GM	JZ



JFW INDUSTRIES, INC.

www.jfwindustries.com

PH: 317-887-1340

MATERIAL		PROPRIETARY INFORMATION
FINISH		ALL SURFACES ARE TO BE FREE OF BURRS, PITS & SCRATCHES
MODEL	SCALE	TOLERANCES
	x2	.XX±.010 .XXX±.005 XX°±.5°
DESCRIPTION		DWG #
N FEMALE TERMINATION		092-1976