

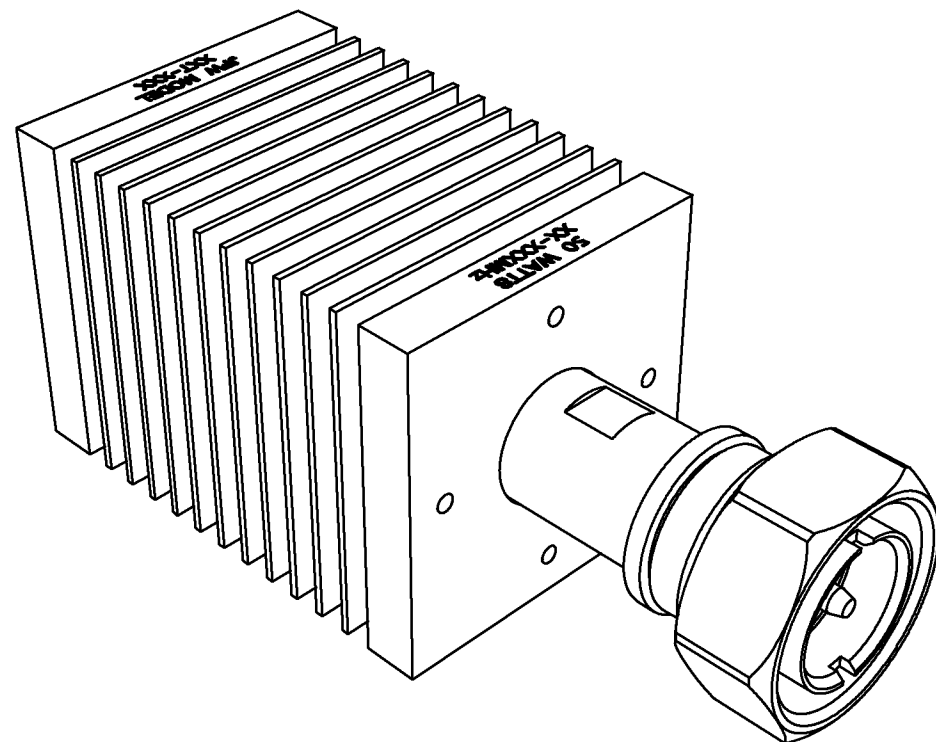
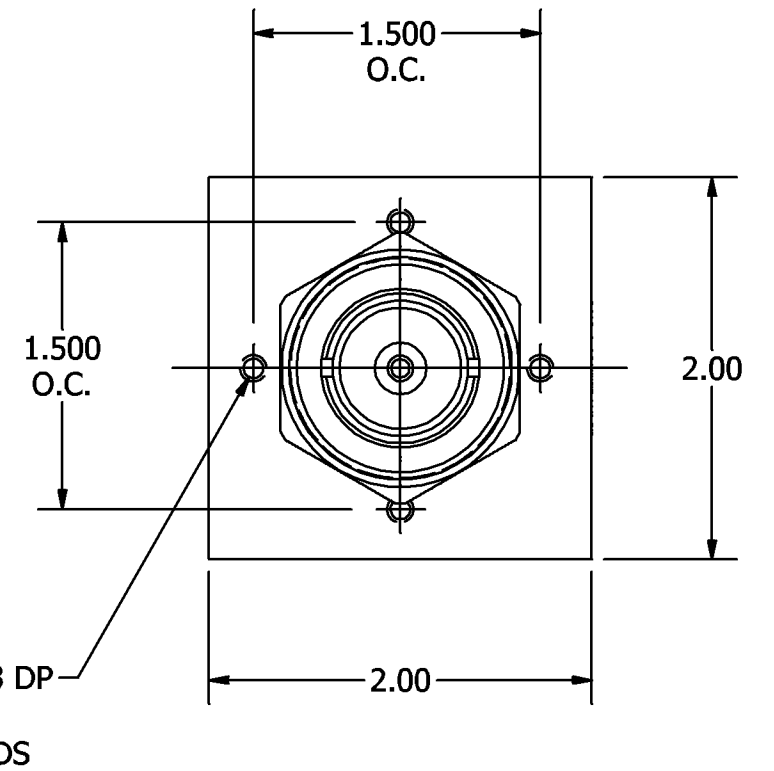
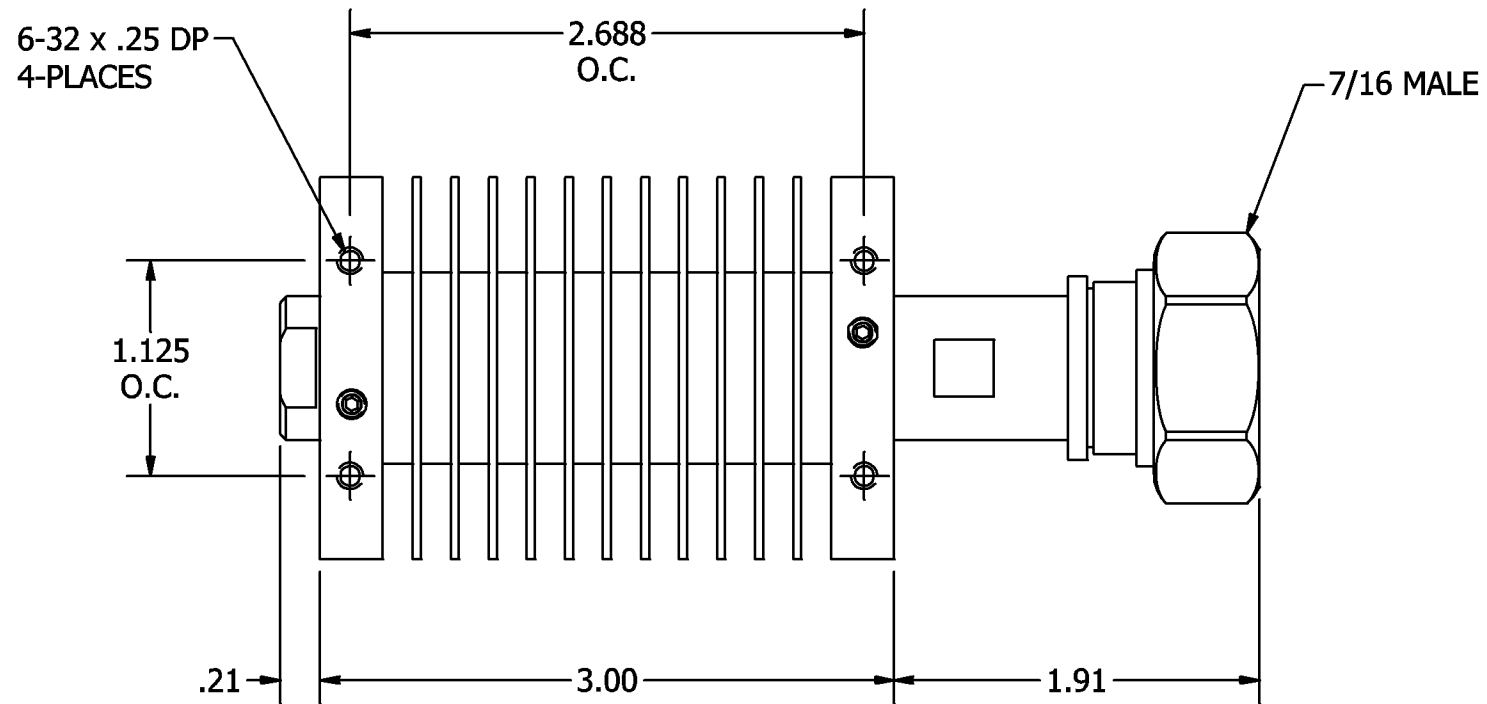
REV	ECN	DATE	BY	APPR
-	ISSUED	3-26-10	TEZ	SMR
A	24444	10-11-19	GM	TEZ
B	30118	1-23-20	GM	JZ



JFW INDUSTRIES, INC.

www.jfwindustries.com PH: 317-887-1340

MATERIAL	ALUMINUM ALLOY	PROPRIETARY INFORMATION
FINISH	BLACK ANODIZE	ALL SURFACES ARE TO BE FREE OF BURRS, PITS & SCRATCHES
MODEL	SCALE FULL	TOLERANCES .XX±.010 .XXX±.005 XX°±.5°
DESCRIPTION	TERMINATION	DWG # 092-303-03



REV	ECN	DATE	BY	APPR
-	ISSUED	11-5-13	JZ	TRS
A	24444	10-17-19	GM	TEZ
B	30118	1-27-20	GM	JZ

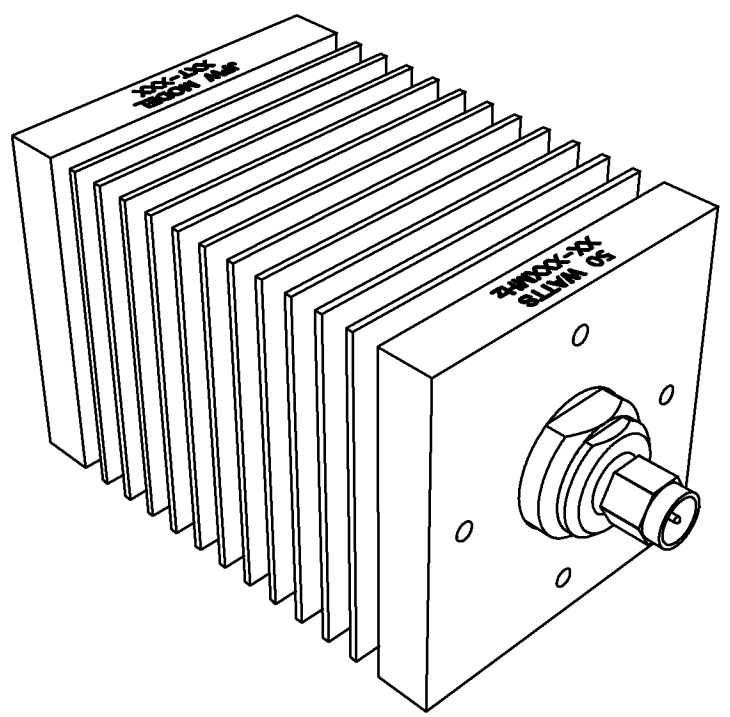
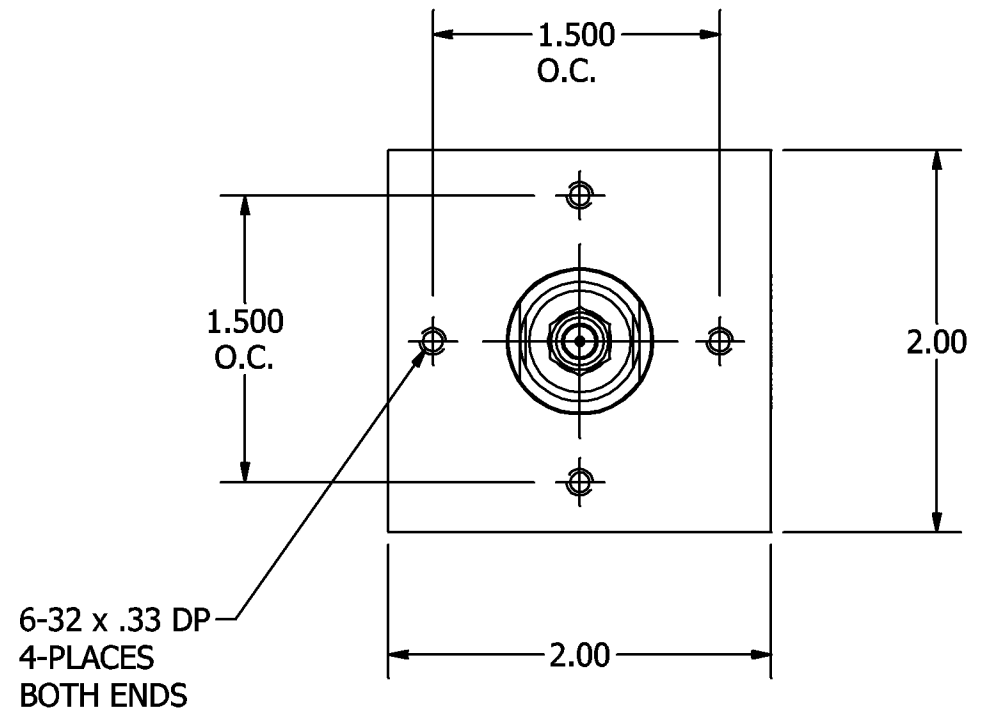
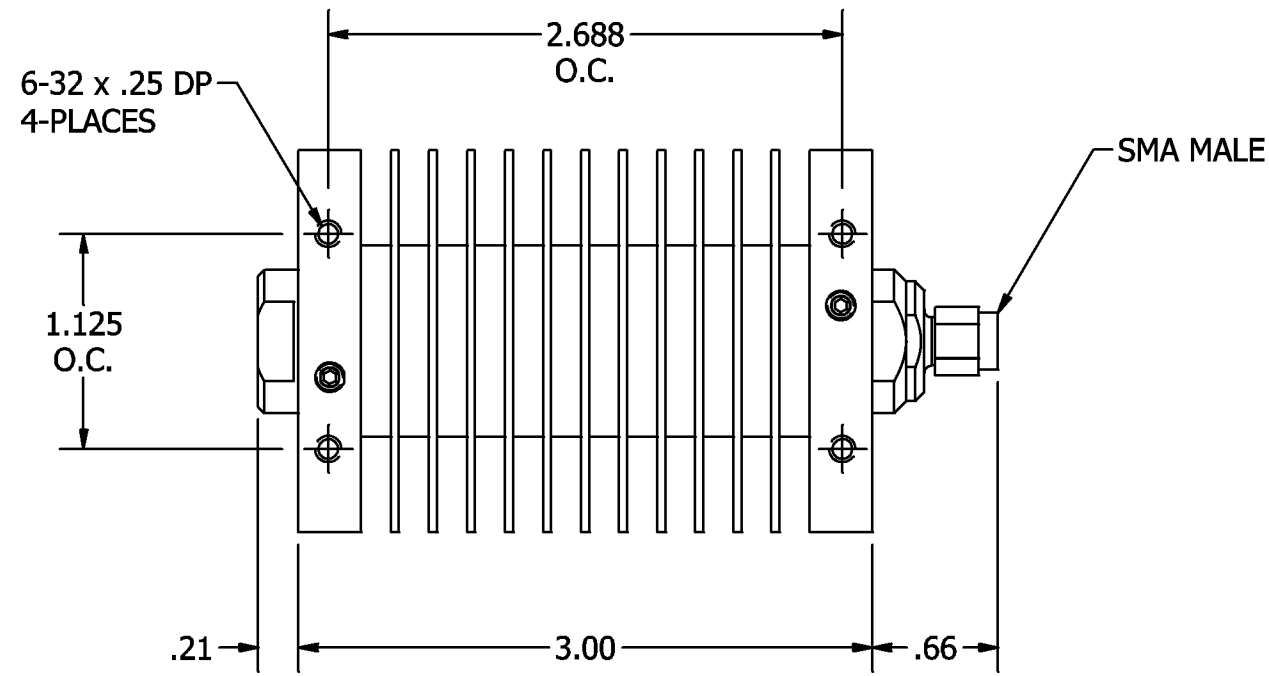



JFW INDUSTRIES, INC.

www.jfwindustries.com

PH: 317-887-1340

MATERIAL	ALUMINUM ALLOY	PROPRIETARY INFORMATION
FINISH	BLACK ANODIZE	ALL SURFACES ARE TO BE FREE OF BURRS, PITS & SCRATCHES
MODEL	SCALE FULL	TOLERANCES .XX±.010 .XXX±.005 XX°±.5°
DESCRIPTION	TERMINATION	DWG # 092-303-11



REV	ECN	DATE	BY	APPR	 JFW INDUSTRIES, INC. www.jfwindustries.com PH: 317-887-1340	
-	ISSUED	3-26-10	TEZ	SMR		
A	24444	10-25-19	GM	TEZ		
B	30118	1-27-20	GM	JZ		
					MATERIAL	ALUMINUM ALLOY
					FINISH	BLACK ANODIZE
					MODEL	SCALE FULL
					DESCRIPTION	TERMINATION
					PROPRIETARY INFORMATION ALL SURFACES ARE TO BE FREE OF BURRS, PITS & SCRATCHES TOLERANCES .XX±.010 .XXX±.005 XX°±.5° DWG # 092-303-07	