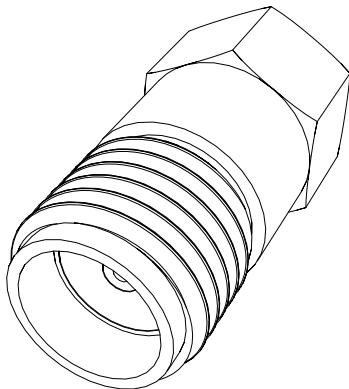
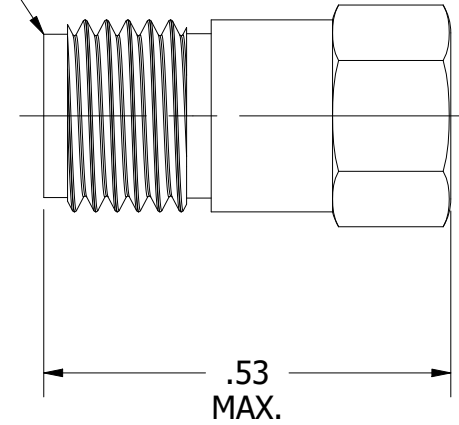



SMA FEMALE



REV	ECN	DATE	BY	APPR
-	ISSUED	8-4-06	BZ	TEZ
A	18922	7-28-10	TEZ	TRS
B	24444	9-16-19	GM	TEZ

		<h1>JFW INDUSTRIES, INC.</h1>	
		<a href="http://www.jfwindustries.com">www.jfwindustries.com</a>	
<p>PH: 317-887-1340</p>		<p>PROPRIETARY INFORMATION</p>	
<p>MATERIAL</p>		<p>STAINLESS STEEL</p>	
<p>FINISH</p>		<p>GOLD</p>	
<p>MODEL</p>		<p>50T-XXX</p>	
<p>DESCRIPTION</p>		<p>TERMINATION</p>	
<p>SCALE</p>		<p>x4</p>	
<p>TOLERANCES</p>		<p>.XX±.010 .XXX±.005 XX°±.5°</p>	
<p>DWG #</p>		<p>092-5172</p>	