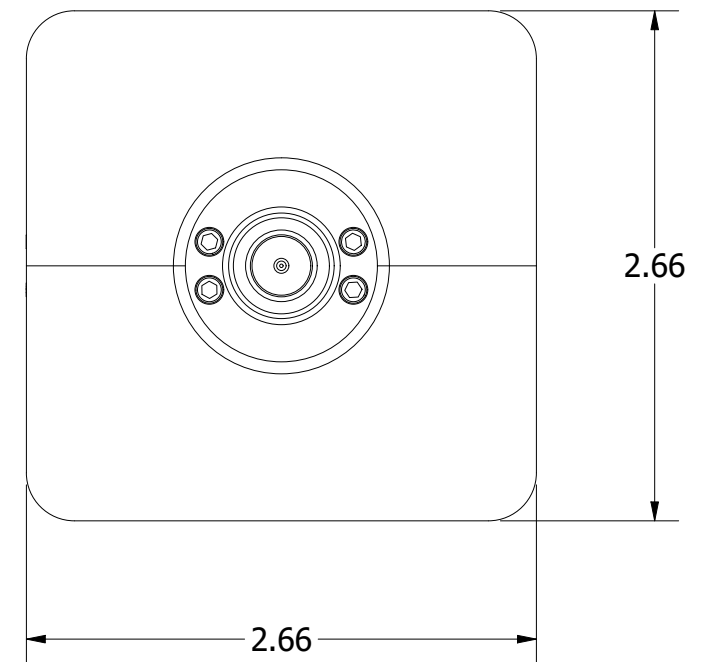
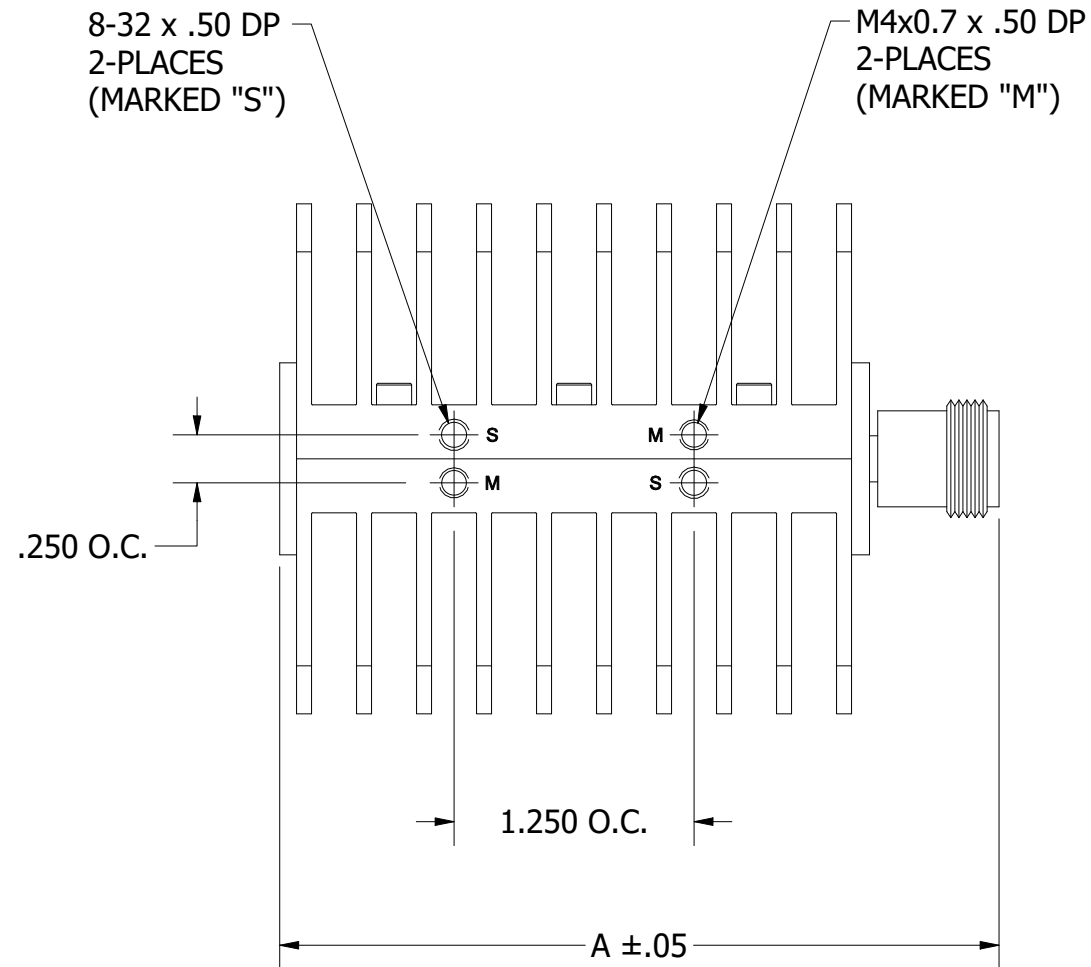
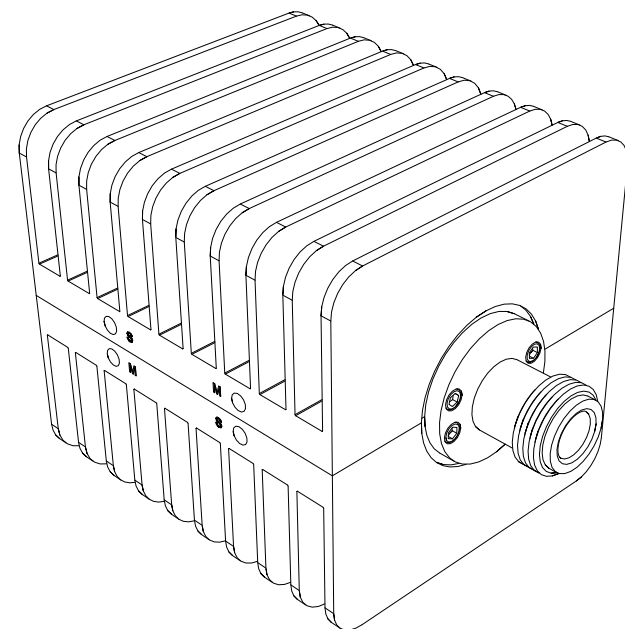
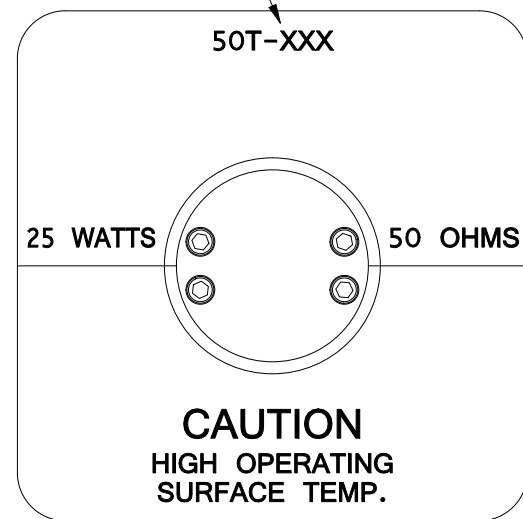


UNIT TO BE MARKED AS SHOWN



CONN. TYPE	A
N FEMALE	3.82
N MALE	3.74
7/16 MALE	4.26
7/16 FEMALE	4.39

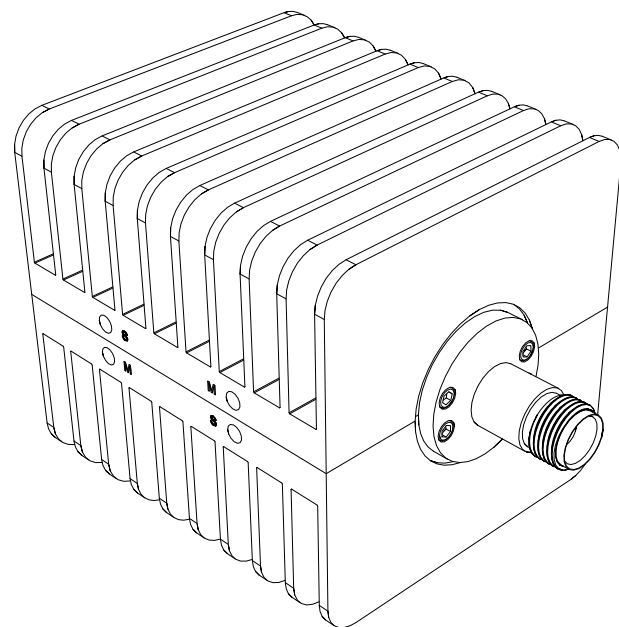
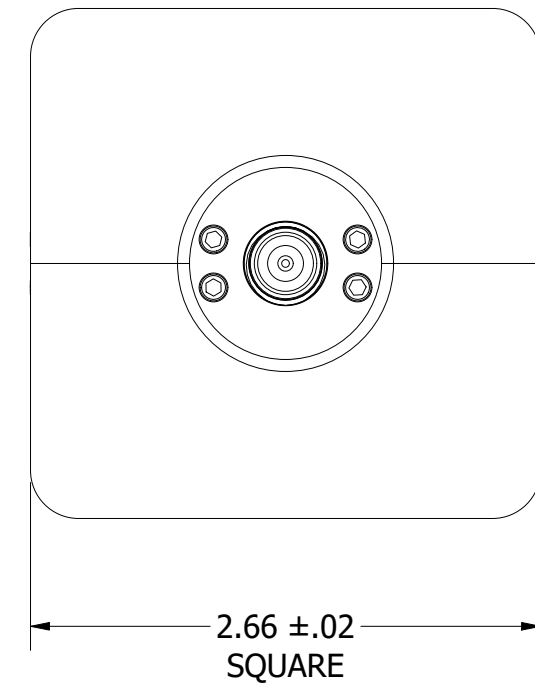
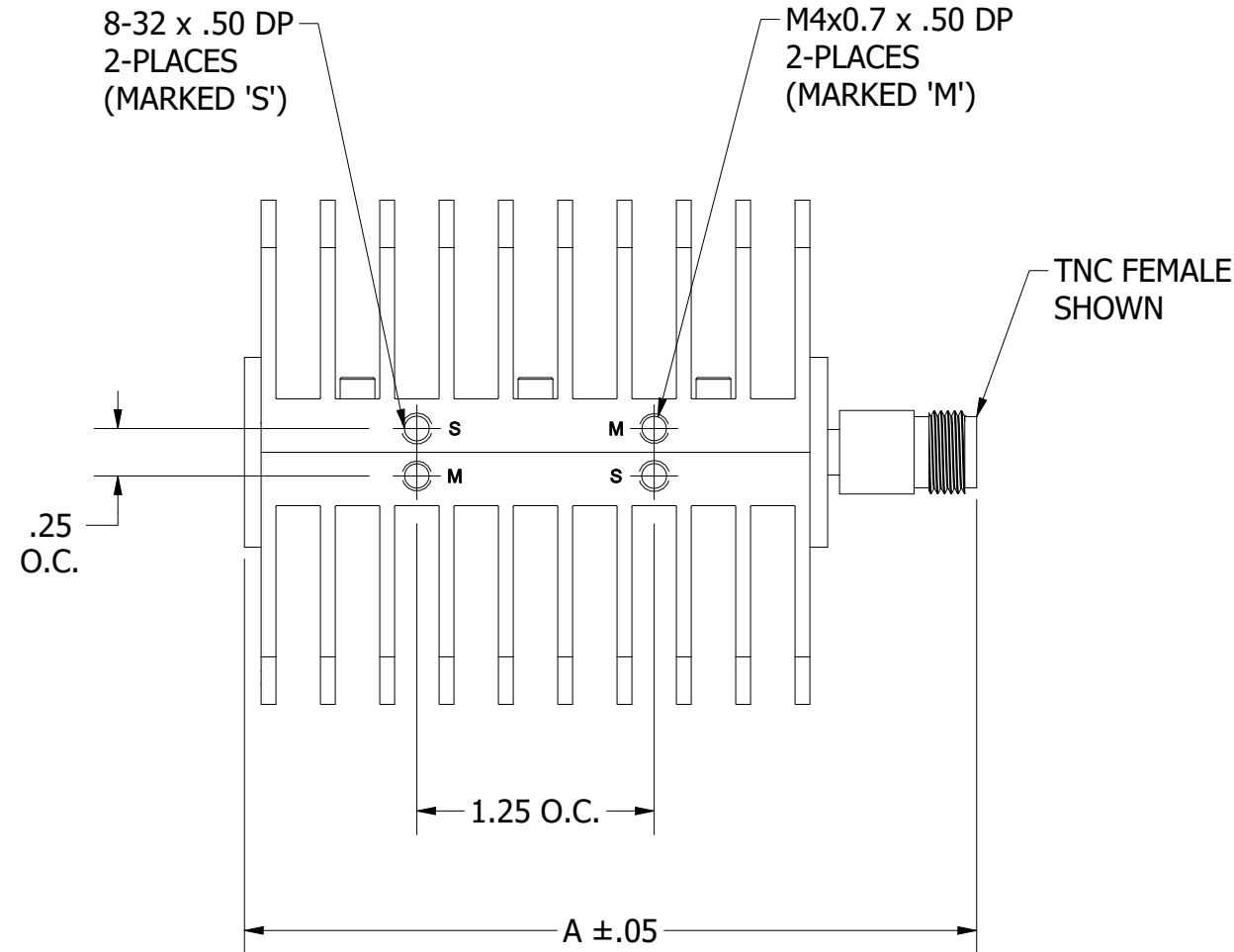
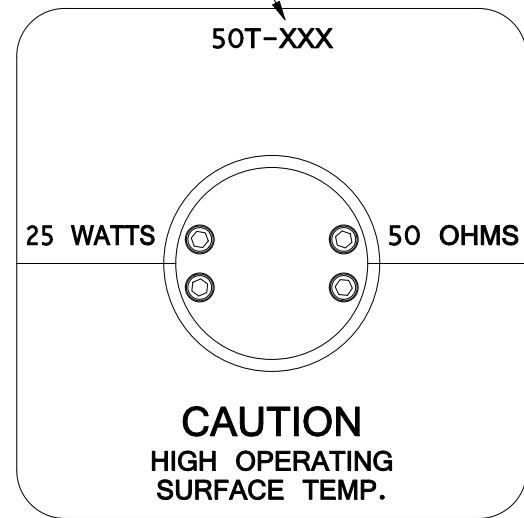
REV	ECN	DATE	BY	APPR
-	ISSUED	10-26-11	JZ	TEZ
A	21251	2-14-12	JZ	TRS
B	22322	1-7-13	JZ	TEZ
C	23744	2-12-14	JZ	TEZ
D	27564	2-22-17	JZ	TEZ
E	24444	9-20-19	GM	TEZ

JFW INDUSTRIES, INC.

www.jfwindustries.com PH: 317-887-1340

MATERIAL	ALUMINUM ALLOY	PROPRIETARY INFORMATION
FINISH	BLACK ANODIZE	ALL SURFACES ARE TO BE FREE OF BURRS, PITS & SCRATCHES
MODEL		TOLERANCES
DESCRIPTION	25 WATT TERMINATION	.XX±.010 .XXX±.005 XX*±.5°
		DWG #
		092-7119

UNIT TO BE MARKED AS SHOWN



CONN. TYPE	A
TNC FEMALE	3.91
TNC MALE	3.81

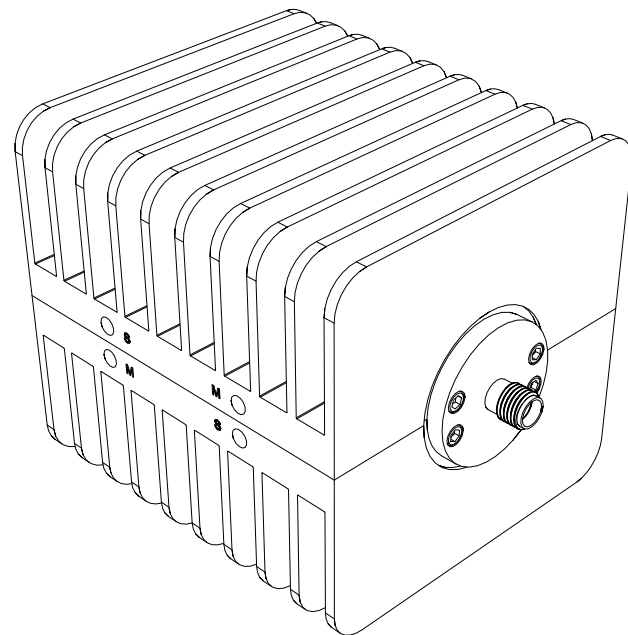
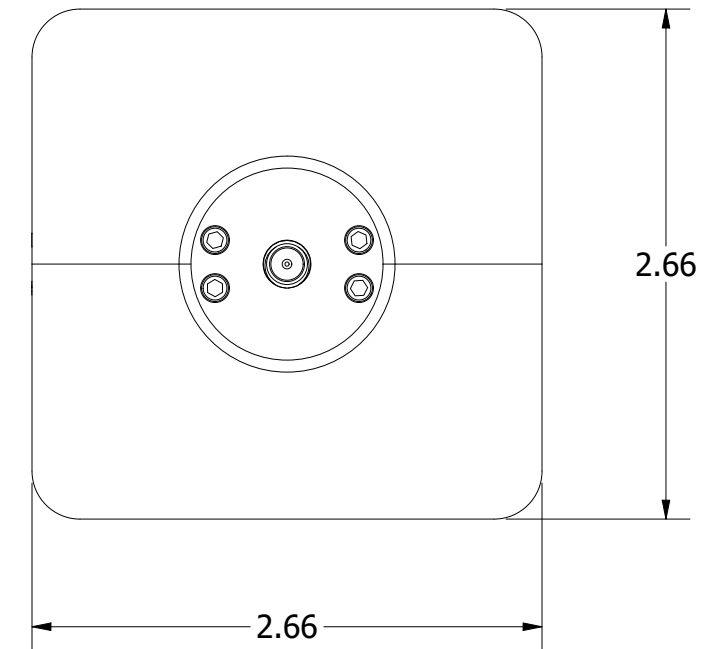
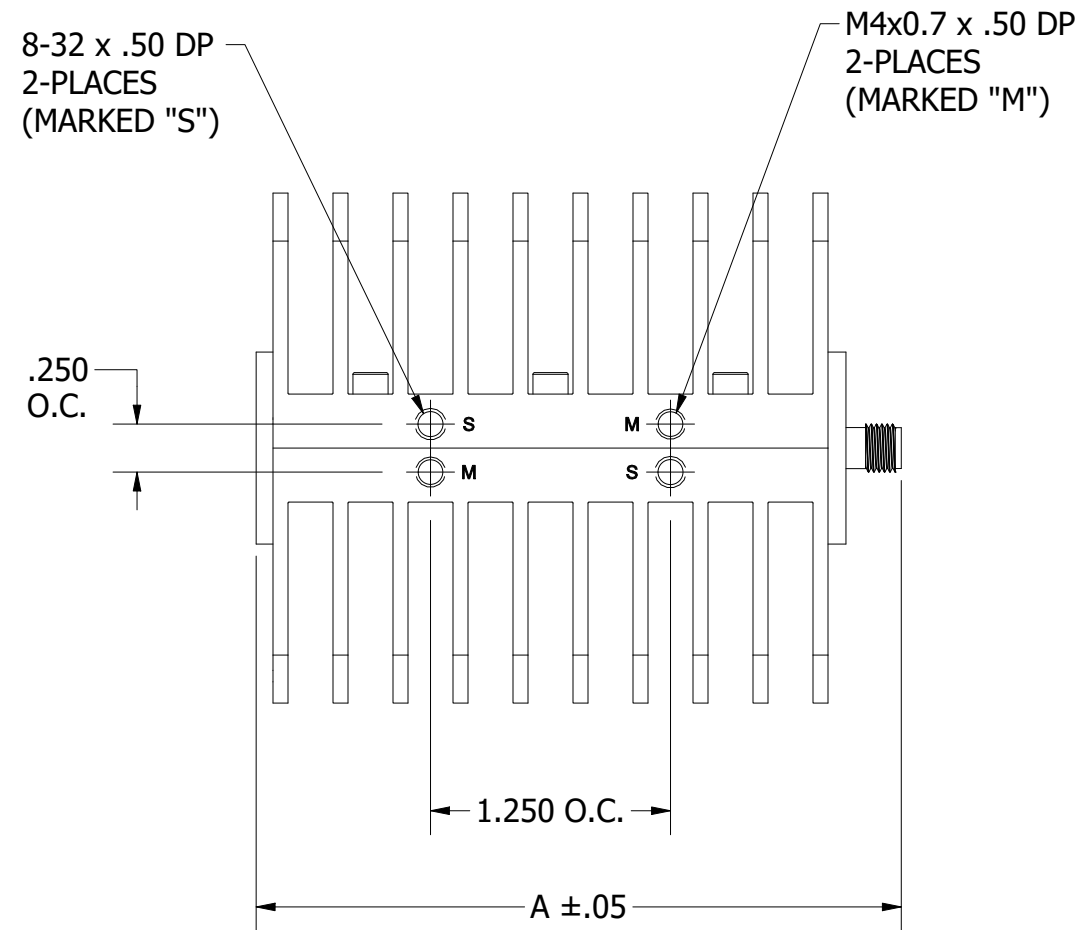
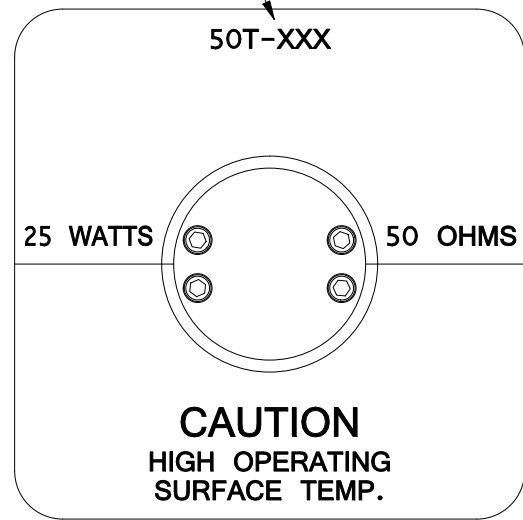
REV	ECN	DATE	BY	APPR
-	ISSUED	8-15-13	JZ	TEZ
A	24444	10-22-19	GM	TEZ

JFW INDUSTRIES, INC.

www.jfwindustries.com PH: 317-887-1340

MATERIAL	ALUMINUM ALLOY	PROPRIETARY INFORMATION
FINISH	BLACK ANODIZE	ALL SURFACES ARE TO BE FREE OF BURRS, PITS & SCRATCHES
MODEL	SCALE FULL	TOLERANCES .XX±.010 .XXX±.005 XX°±.5°
DESCRIPTION	25 WATT TERMINATION	DWG # 092-7796

UNIT TO BE MARKED AS SHOWN



CONN. TYPE	A
SMA FEMALE	3.36
SMA MALE	3.49

REV	ECN	DATE	BY	APPR
-	ISSUED	2-14-12	JZ	TRS
A	22322	1-7-13	JZ	TEZ
B	27564	2-22-17	JZ	TEZ
C	24444	10-22-19	GM	TEZ



JFW INDUSTRIES, INC.

www.jfwindustries.com

PH: 317-887-1340

MATERIAL	ALUMINUM ALLOY	PROPRIETARY INFORMATION
FINISH	BLACK ANODIZE	ALL SURFACES ARE TO BE FREE OF BURRS, PITS & SCRATCHES
MODEL		TOLERANCES
DESCRIPTION	25 WATT TERMINATION	.XX±.010 .XXX±.005 XX*±.5°
		DWG #
		092-7224