

REV	ECN	DATE	BY	APPR
-	ISSUED	9-3-99	PT	FDW
A	11514	7-20-05	LT	TEZ
B	24444	9-11-19	GM	TEZ



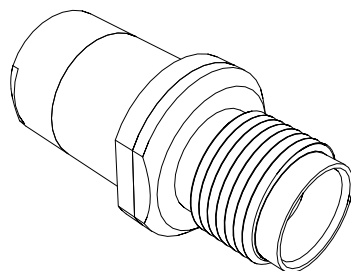
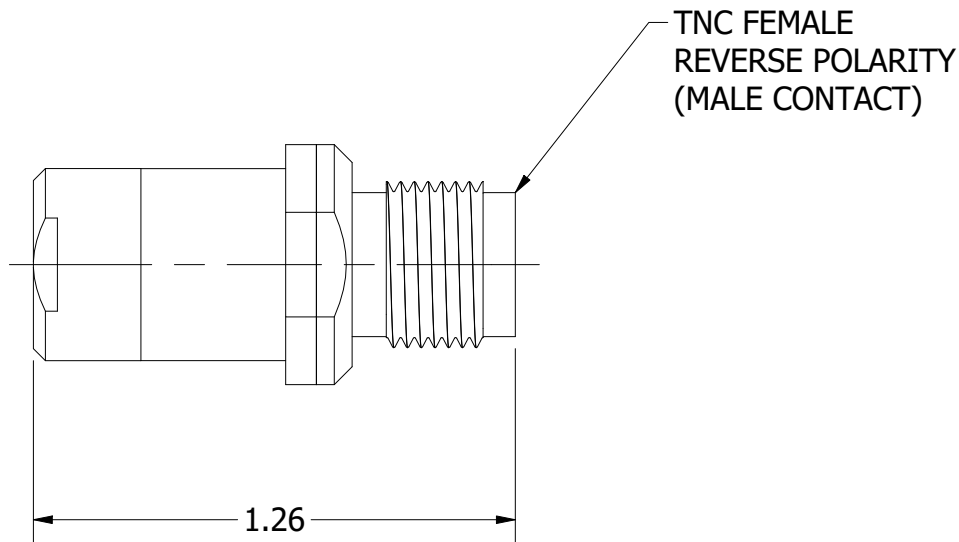
JFW INDUSTRIES, INC.

www.jfwindustries.com

PH: 317-887-1340

MATERIAL	PROPRIETARY INFORMATION
FINISH	ALL SURFACES ARE TO BE FREE OF BURRS, PITS & SCRATCHES
MODEL	TOLERANCES
50T-XXX RPT M	.XX±.010 .XXX±.005 XX°±.5°
DESCRIPTION	DWG #
REVERSE POLARITY TERMINATION	092-3144

SCALE
x2



REV	ECN	DATE	BY	APPR
-	ISSUED	9-3-99	PT	PT
A	11514	7-20-05	LT	TEZ
B	24444	9-27-16	TB	TEZ
C	24444	9-11-19	GM	TEZ



JFW INDUSTRIES, INC.

www.jfwindustries.com

PH: 317-887-1340

MATERIAL	PROPRIETARY INFORMATION
FINISH	ALL SURFACES ARE TO BE FREE OF BURRS, PITS & SCRATCHES
MODEL	TOLERANCES
50T-XXX RPT F	.XX±.010 .XXX±.005 XX°±.5°
DESCRIPTION	SCALE
REVERSE POLARITY TERMINATION	x2
	DWG #
	092-3145