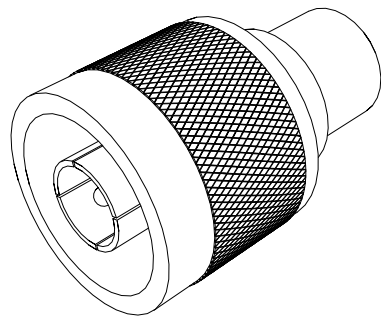
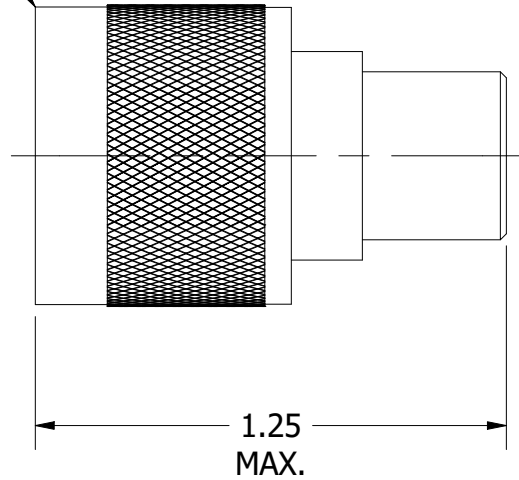


N MALE



REV	ECN	DATE	BY	APPR
-	ISSUED	2-8-01	CB	TEZ
A	6674	3-28-01	CDJ	TEZ
B	10111	11-3-04	BZ	TEZ
C	24444	9-11-19	GM	TEZ



JFW INDUSTRIES, INC.

www.jfwindustries.com

PH: 317-887-1340

MATERIAL	BRASS	PROPRIETARY INFORMATION
FINISH	NICKEL	ALL SURFACES ARE TO BE FREE OF BURRS, PITS & SCRATCHES
MODEL	SCALE x2	TOLERANCES .XX±.010 .XXX±.005 XX°±.5°
DESCRIPTION	TERMINATION	DWG # 092-3578