
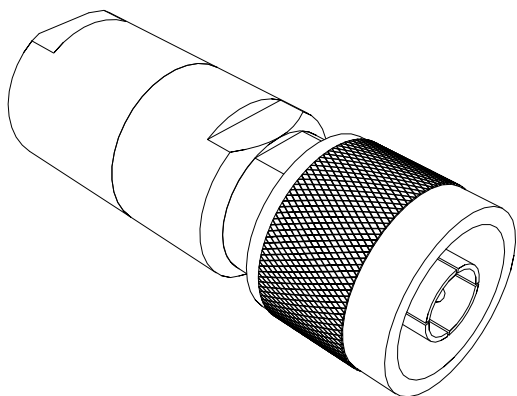
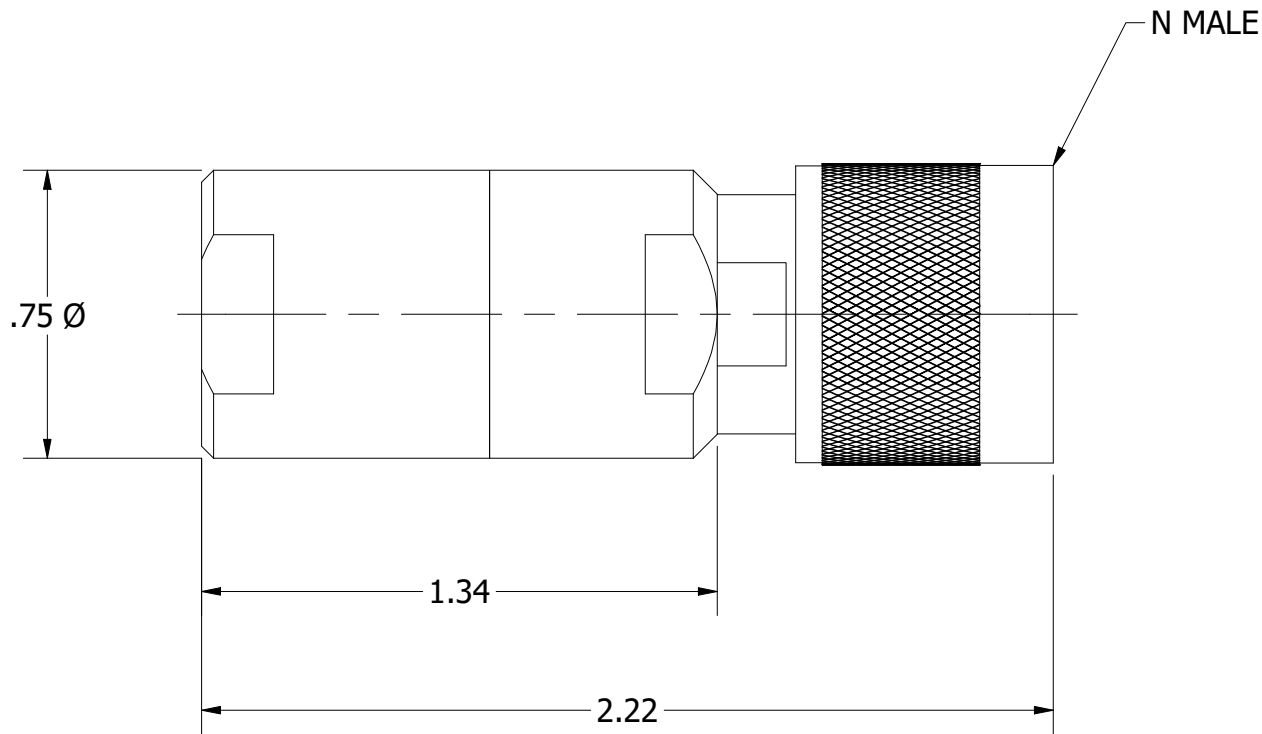



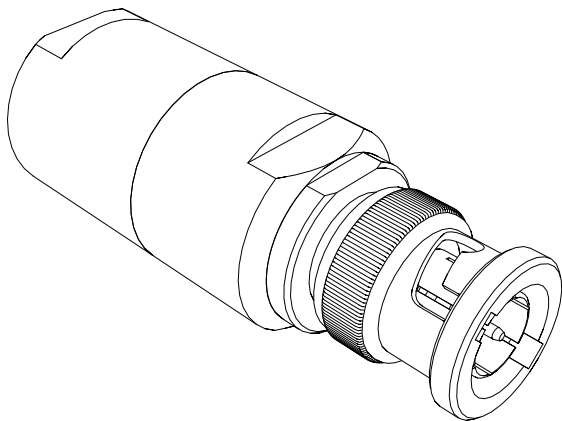
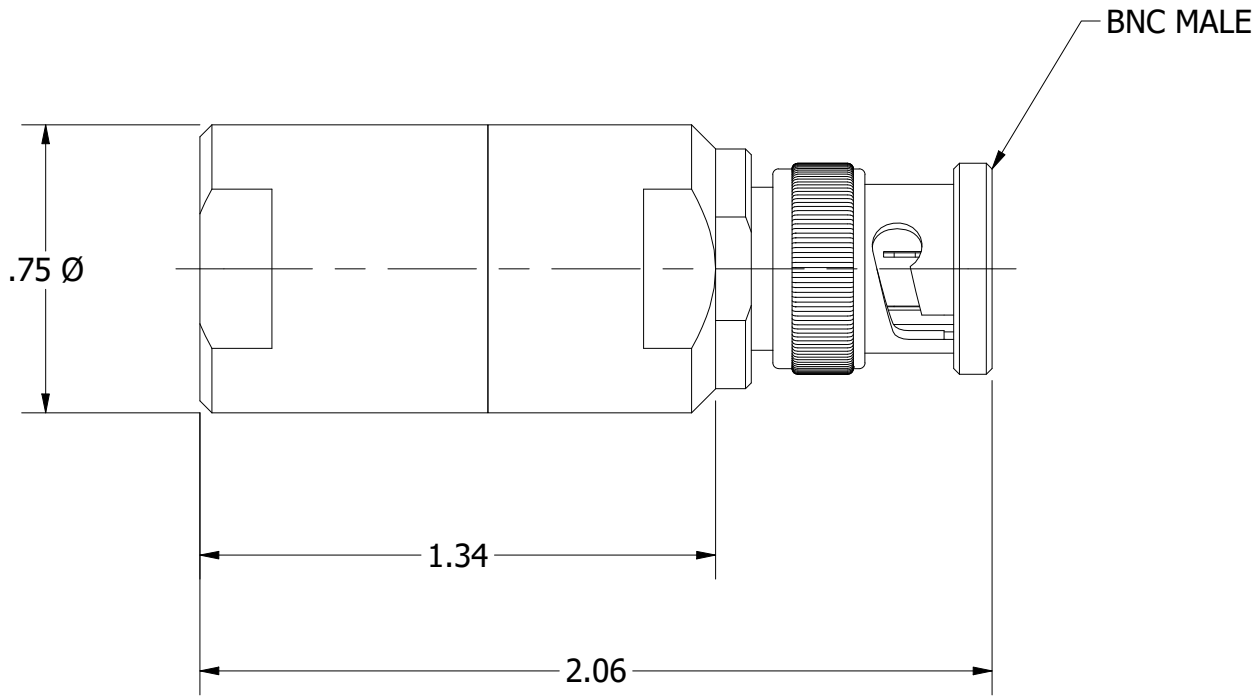
REV	ECN	DATE	BY	APPR
-	ISSUED	11-4-11	JZ	TRS
A	24444	9-12-16	GM	JZ

		JFW INDUSTRIES, INC. www.jfwindustries.com PH: 317-887-1340	
		MATERIAL	BRASS
FINISH	NICKEL	ALL SURFACES ARE TO BE FREE OF BURRS, PITS & SCRATCHES	
MODEL	50T-XXX	SCALE	x2
DESCRIPTION	5 WATT TERMINATION		TOLERANCES .XX±.010 .XXX±.005 XX°±.5° DWG #
			092-4403-01



REV	ECN	DATE	BY	APPR
-	ISSUED	11-4-11	JZ	TRS
A	24444	9-12-19	GM	JZ

		<h1>JFW INDUSTRIES, INC.</h1>	
		www.jfwindustries.com PH: 317-887-1340	
MATERIAL		BRASS	
FINISH		NICKEL	
MODEL		50T-XXX	SCALE x2
DESCRIPTION		5 WATT TERMINATION	
		PROPRIETARY INFORMATION ALL SURFACES ARE TO BE FREE OF BURRS, PITS & SCRATCHES TOLERANCES .XX±.010 .XXX±.005 XX°±.5° DWG #	
		092-4403-07	



REV	ECN	DATE	BY	APPR
-	ISSUED	11-4-11	JZ	TRS
A	24444	9-12-19	GM	JZ



JFW INDUSTRIES, INC.

www.jfwindustries.com PH: 317-887-1340

MATERIAL	BRASS		PROPRIETARY INFORMATION
FINISH	NICKEL		ALL SURFACES ARE TO BE FREE OF BURRS, PITS & SCRATCHES
MODEL	50T-XXX	SCALE x2	TOLERANCES .XX±.010 .XXX±.005 XX°±.5°
DESCRIPTION	5 WATT TERMINATION		DWG # 092-4403-03