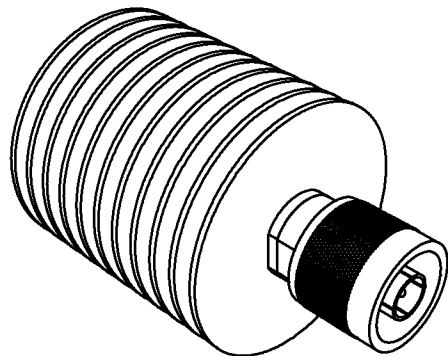


RF CONNECTOR	DIM. A
SMA MALE	.56
SMA FEMALE	.52
BNC MALE	.80
BNC FEMALE	.60
TNC MALE	.80
TNC FEMALE	.60
N MALE	.96
N FEMALE	.73
7/16 MALE	1.31
7/16 FEMALE	1.22
4.1/9.5 MALE	.96
4.1/9.5 FEMALE	.96
4.3/10 MALE	1.06
4.3/10 FEMALE	1.02



REV	ECN	DATE	BY	APPR
-	ISSUED	7-27-05	TEZ	FDW
A	27726	4-18-17	TEZ	TEZ



JFW INDUSTRIES, INC.

www.jfwindustries.com

PH: 317-887-1340

MATERIAL	PROPRIETARY INFORMATION
FINISH	ALL SURFACES ARE TO BE FREE OF BURRS, PITS & SCRATCHES
MODEL	SCALE FULL
DESCRIPTION	TOLERANCES .XX±.010 .XXX±.005 XX°±.5°
25 WATT TERMINATION / MISMATCH	DWG # 092-4886