

REV	ECN	DATE	BY	APPR
-	ISSUED	4-23-03	BZ	TEZ
A	13921	3-2-07	TEZ	CLK
B	24444	11-13-15	BZ	TEZ
C	24444	9-28-16	TB	XXX

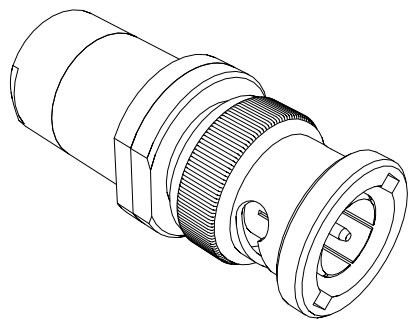
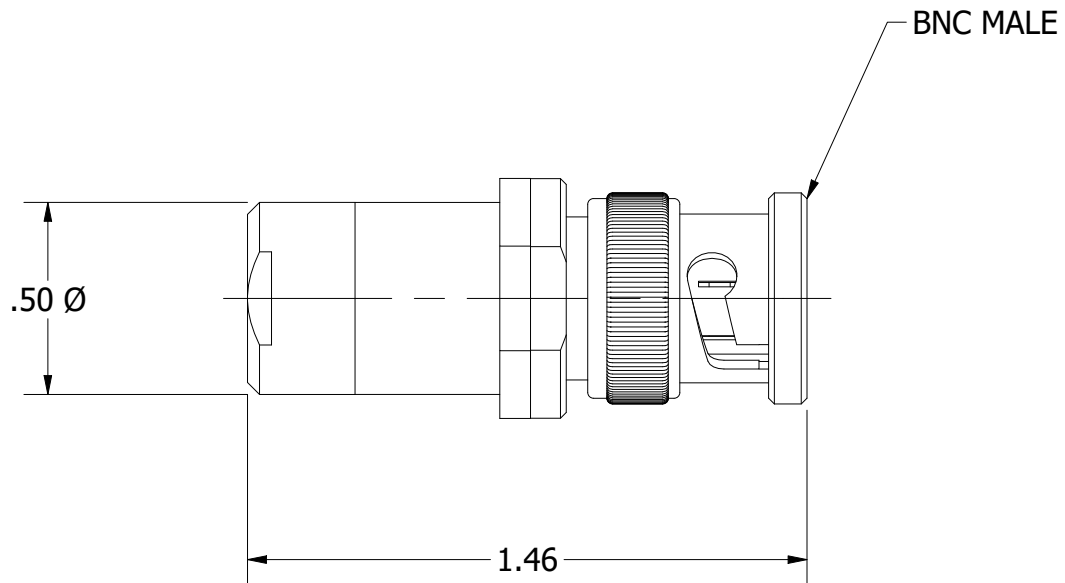


**JFW INDUSTRIES, INC.**

[www.jfwindustries.com](http://www.jfwindustries.com)

PH: 317-887-1340

MATERIAL	BRASS	PROPRIETARY INFORMATION
FINISH	NICKEL	ALL SURFACES ARE TO BE FREE OF BURRS, PITS & SCRATCHES
MODEL	SCALE 2X	TOLERANCES .XX±.010 .XXX±.005 XX°±.5°
DESCRIPTION	N MALE TERMINATION	DWG # 092-4208



REV	ECN	DATE	BY	APPR
-	ISSUED	10-5-16	TB	TEZ
A	24444	9-26-19	GM	TEZ



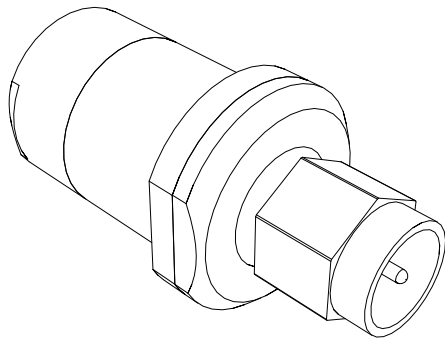
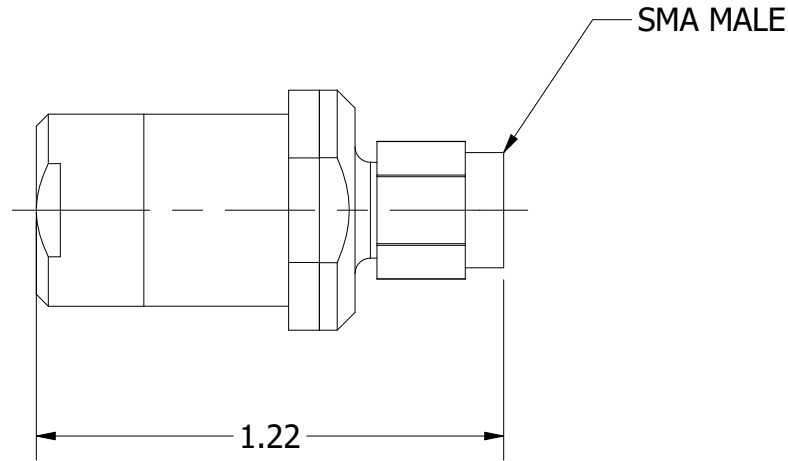
**JFW INDUSTRIES, INC.**

[www.jfwindustries.com](http://www.jfwindustries.com)

PH: 317-887-1340

MATERIAL		PROPRIETARY INFORMATION
FINISH		ALL SURFACES ARE TO BE FREE OF BURRS, PITS & SCRATCHES
MODEL	50T-XXX	TOLERANCES .XX±.010 .XXX±.005 XX°±.5°
DESCRIPTION	TERMINATION	DWG # 092-8720

SCALE  
x2



REV	ECN	DATE	BY	APPR
-	ISSUED	8-4-03	BZ	TEZ
A	24444	9-12-19	GM	TEZ



**JFW INDUSTRIES, INC.**

[www.jfwindustries.com](http://www.jfwindustries.com)

PH: 317-887-1340

MATERIAL	PROPRIETARY INFORMATION	
FINISH	ALL SURFACES ARE TO BE FREE OF BURRS, PITS & SCRATCHES	
MODEL	50T-XXX	SCALE x2
DESCRIPTION	TERMINATION	TOLERANCES .XX±.010 .XXX±.005 XX°±.5° DWG # 092-4269