

REV	ECN	DATE	BY	APPR
-	ISSUED	11-4-11	JZ	TRS
A	24444	9-12-16	GM	JZ

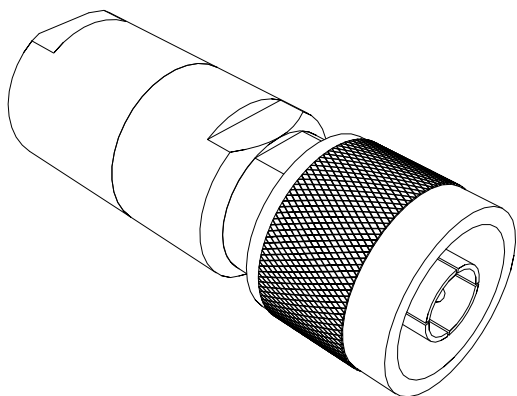
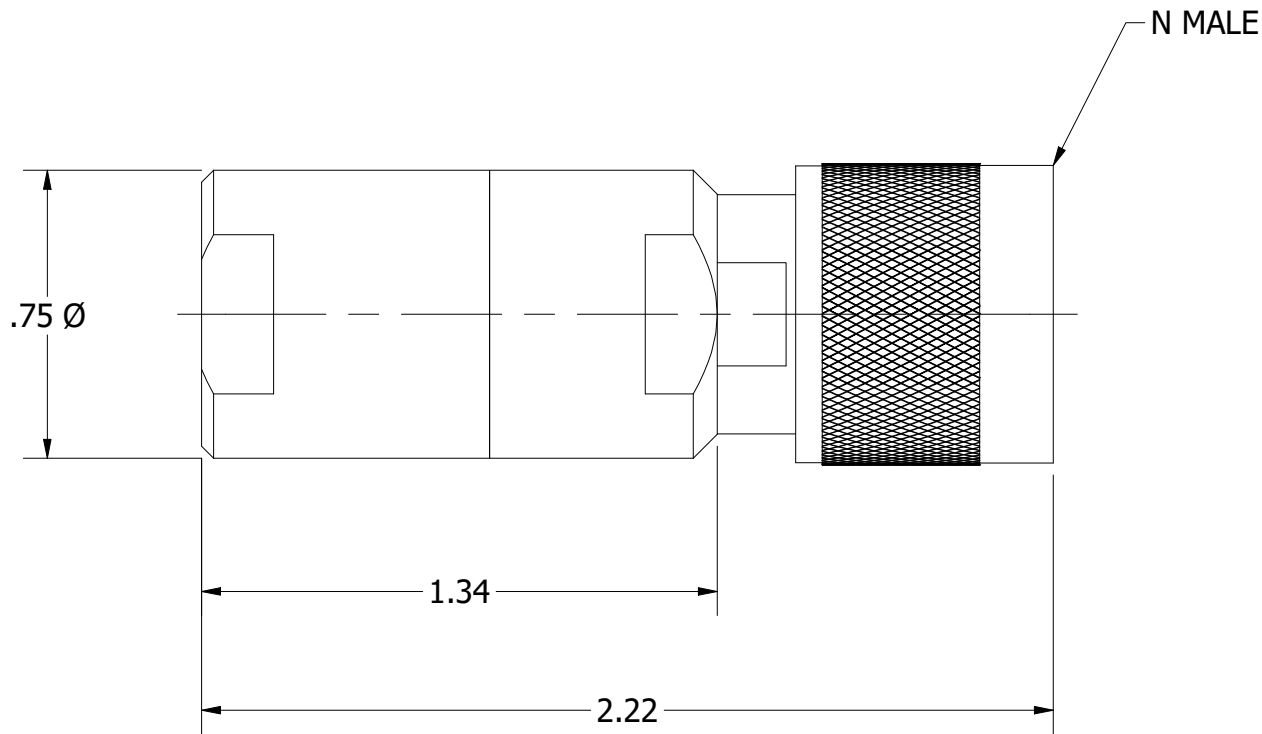


JFW INDUSTRIES, INC.


www.jfwindustries.com

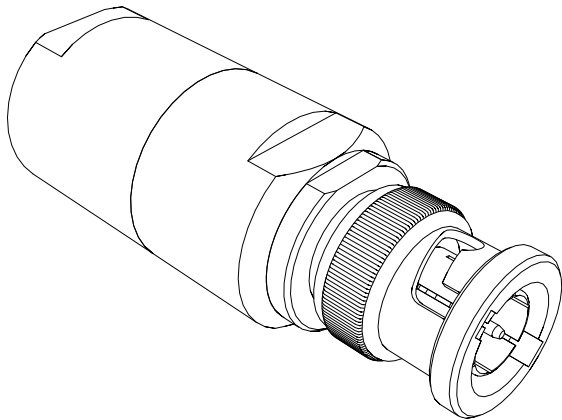
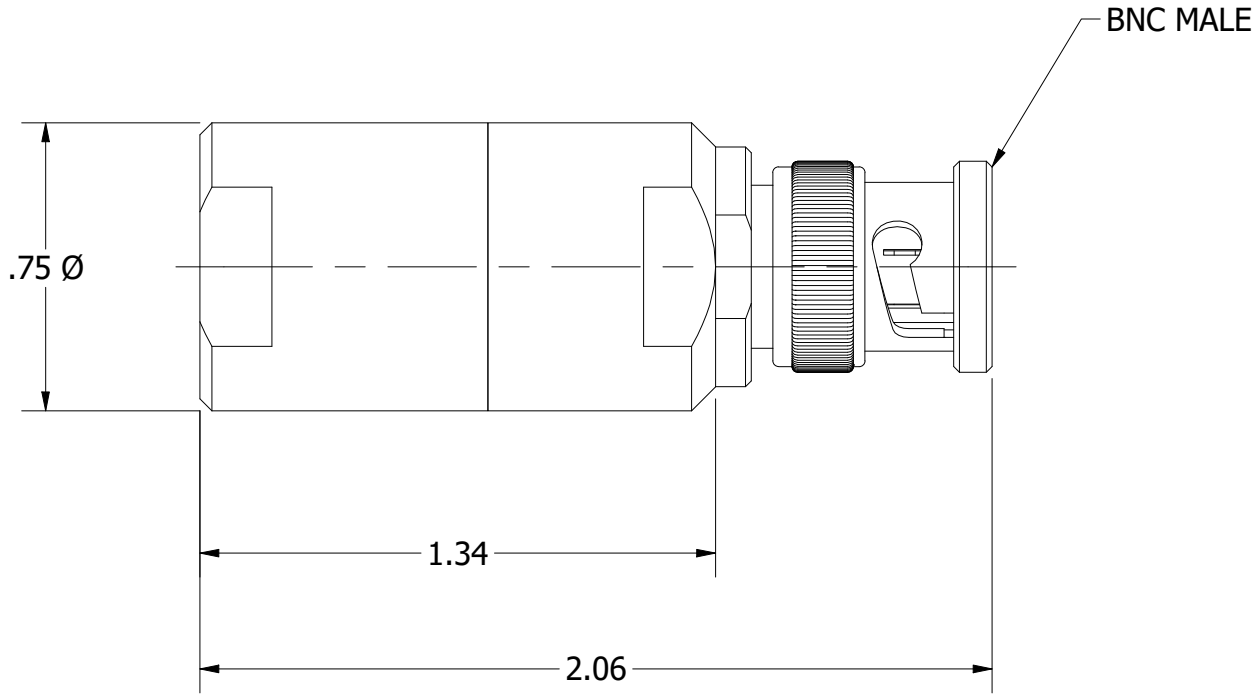
PH: 317-887-1340

MATERIAL	BRASS	PROPRIETARY INFORMATION
FINISH	NICKEL	ALL SURFACES ARE TO BE FREE OF BURRS, PITS & SCRATCHES
MODEL	50T-XXX	TOLERANCES .XX±.010 .XXX±.005 XX°±.5°
DESCRIPTION	5 WATT TERMINATION	DWG # 092-4403-01
SCALE	x2	




REV	ECN	DATE	BY	APPR
-	ISSUED	11-4-11	JZ	TRS
A	24444	9-12-19	GM	JZ

		<h1>JFW INDUSTRIES, INC.</h1>	
		www.jfwindustries.com	
<p>PH: 317-887-1340</p>		<p>PROPRIETARY INFORMATION</p>	
<p>MATERIAL</p>		<p>BRASS</p>	
<p>FINISH</p>		<p>NICKEL</p>	
<p>MODEL</p>		<p>50T-XXX</p>	
<p>DESCRIPTION</p>		<p>SCALE x2</p>	
<p>5 WATT TERMINATION</p>		<p>TOLERANCES .XX±.010 .XXX±.005 XX°±.5°</p>	
<p>DWG #</p>		<p>092-4403-07</p>	



REV	ECN	DATE	BY	APPR
-	ISSUED	11-4-11	JZ	TRS
A	24444	9-12-19	GM	JZ

		<h1>JFW INDUSTRIES, INC.</h1>	
		www.jfwindustries.com	
<p>PH: 317-887-1340</p>		<p>PROPRIETARY INFORMATION</p>	
<p>MATERIAL</p>		<p>BRASS</p>	
<p>FINISH</p>		<p>NICKEL</p>	
<p>MODEL</p>		<p>50T-XXX</p>	
<p>DESCRIPTION</p>		<p>5 WATT TERMINATION</p>	
<p>SCALE</p>		<p>x2</p>	
<p>TOLERANCES</p>		<p>.XX±.010 .XXX±.005 XX°±.5°</p>	
<p>DWG #</p>		<p>092-4403-03</p>	