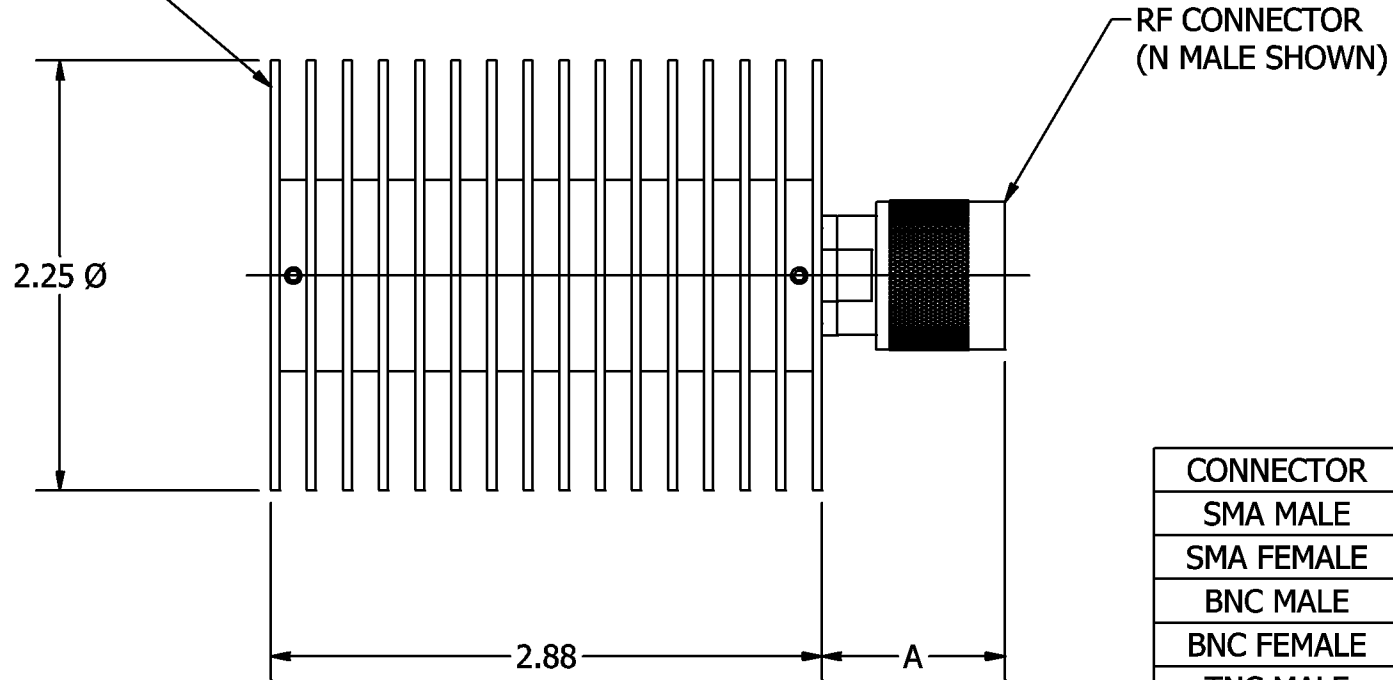
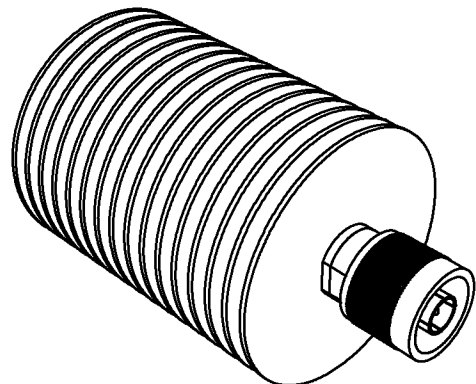


MARKING TO BE ON THIS END



RF CONNECTOR  
(N MALE SHOWN)

CONNECTOR	DIM. A ±.03
SMA MALE	.56
SMA FEMALE	.52
BNC MALE	.80
BNC FEMALE	.60
TNC MALE	.80
TNC FEMALE	.60
N MALE	.96
N FEMALE	.73
7/16 MALE	1.31
7/16 FEMALE	1.22



REV	ECN	DATE	BY	APPR
-	ISSUED	7-20-09	BZ	SMR
A	24342	7-25-14	TEZ	TEZ
B	26743	6-16-16	ADH	TEZ
C	24444	9-17-19	GM	TEZ



**JFW INDUSTRIES, INC.**

[www.jfwindustries.com](http://www.jfwindustries.com)

PH: 317-887-1340

MATERIAL	PROPRIETARY INFORMATION	
FINISH	ALL SURFACES ARE TO BE FREE OF BURRS, PITS & SCRATCHES	
MODEL	50T-XXX	SCALE FULL
DESCRIPTION	50 WATT TERMINATION/MISMATCH	TOLERANCES .XX±.010 .XXX±.005 XX°±.5° DWG #
		092-6230