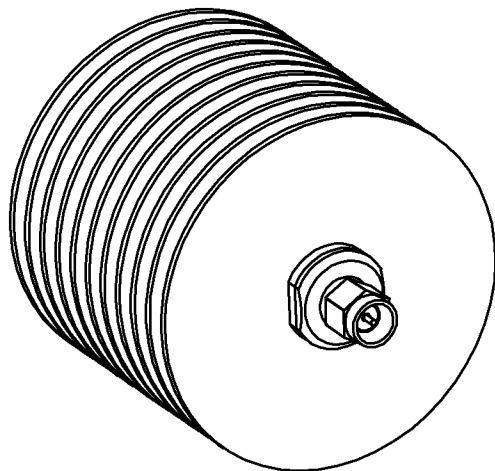


RF CONNECTOR	DIM. A
SMA MALE	.56
SMA FEMALE	.52
BNC MALE	.80
BNC FEMALE	.60
TNC MALE	.80
TNC FEMALE	.60
N MALE	.96
N FEMALE	.73
7/16 MALE	1.31
7/16 FEMALE	1.22



REV	ECN	DATE	BY	APPR
-	ISSUED	7-20-09	BZ	SMR
A	24824	12-18-14	TEZ	TEZ
B	26407	3-9-16	TEZ	TEZ
C	24444	7-1-16	TEZ	TEZ

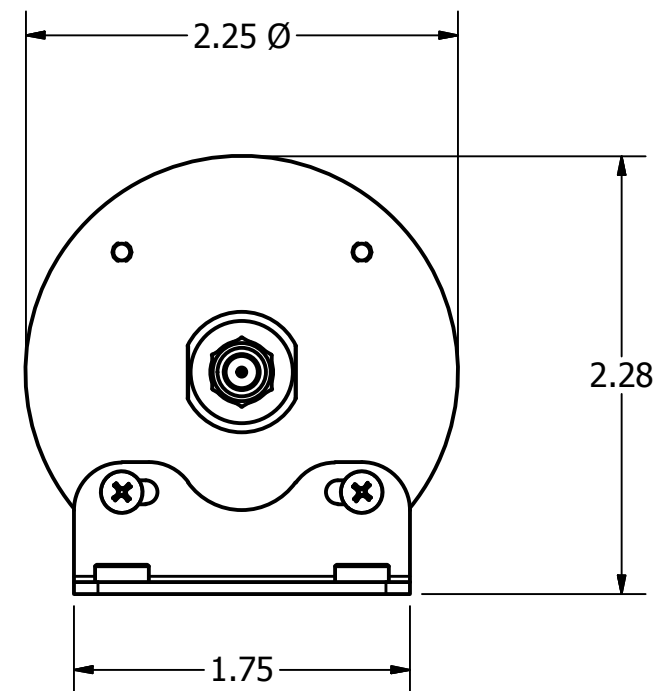
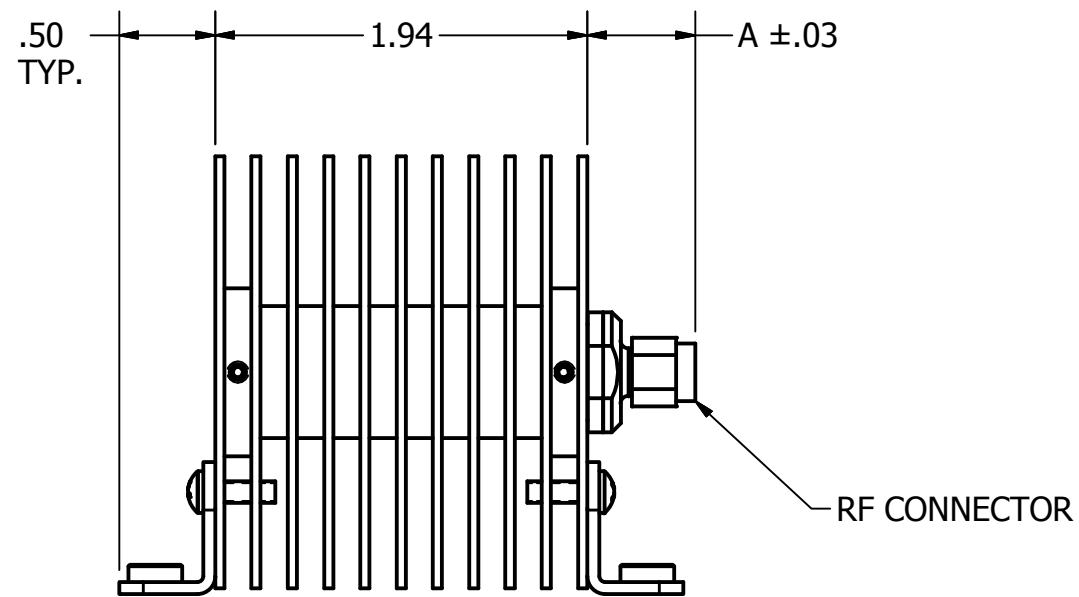
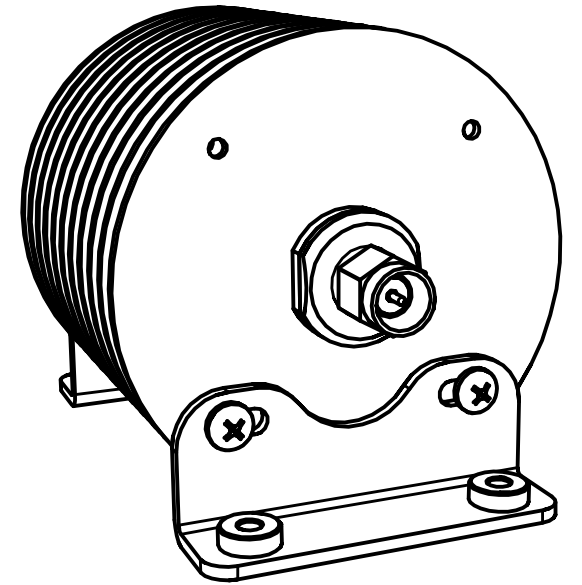
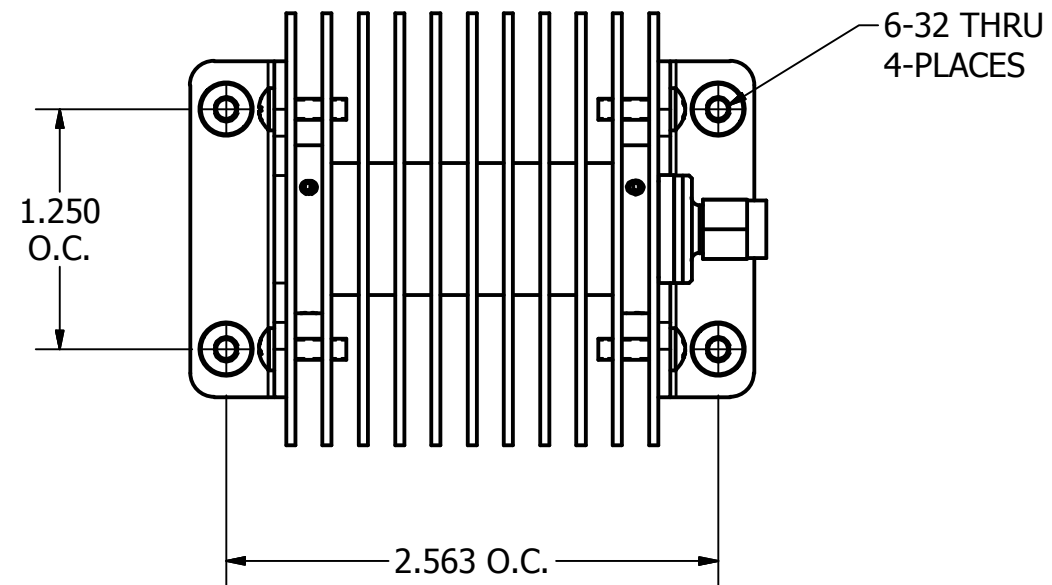


JFW INDUSTRIES, INC.

www.jfwindustries.com

PH: 317-887-1340

MATERIAL	PROPRIETARY INFORMATION
FINISH	ALL SURFACES ARE TO BE FREE OF BURRS, PITS & SCRATCHES
MODEL	SCALE FULL
DESCRIPTION	TOLERANCES .XX±.010 .XXX±.005 XX°±.5°
40 WATT TERMINATION / MISMATCH	DWG # 092-6229



RF CONNECTOR	DIM. A
SMA MALE	.56
SMA FEMALE	.52
BNC MALE	.80
BNC FEMALE	.60
TNC MALE	.80
TNC FEMALE	.60
N MALE	.96
N FEMALE	.73
7/16 MALE	1.31
7/16 FEMALE	1.22

REV	ECN	DATE	BY	APPR
-	ISSUED	6-5-16	TEZ	TEZ
A	26795	7-6-16	TEZ	TEZ
B	28013	8-9-17	TEZ	TEZ

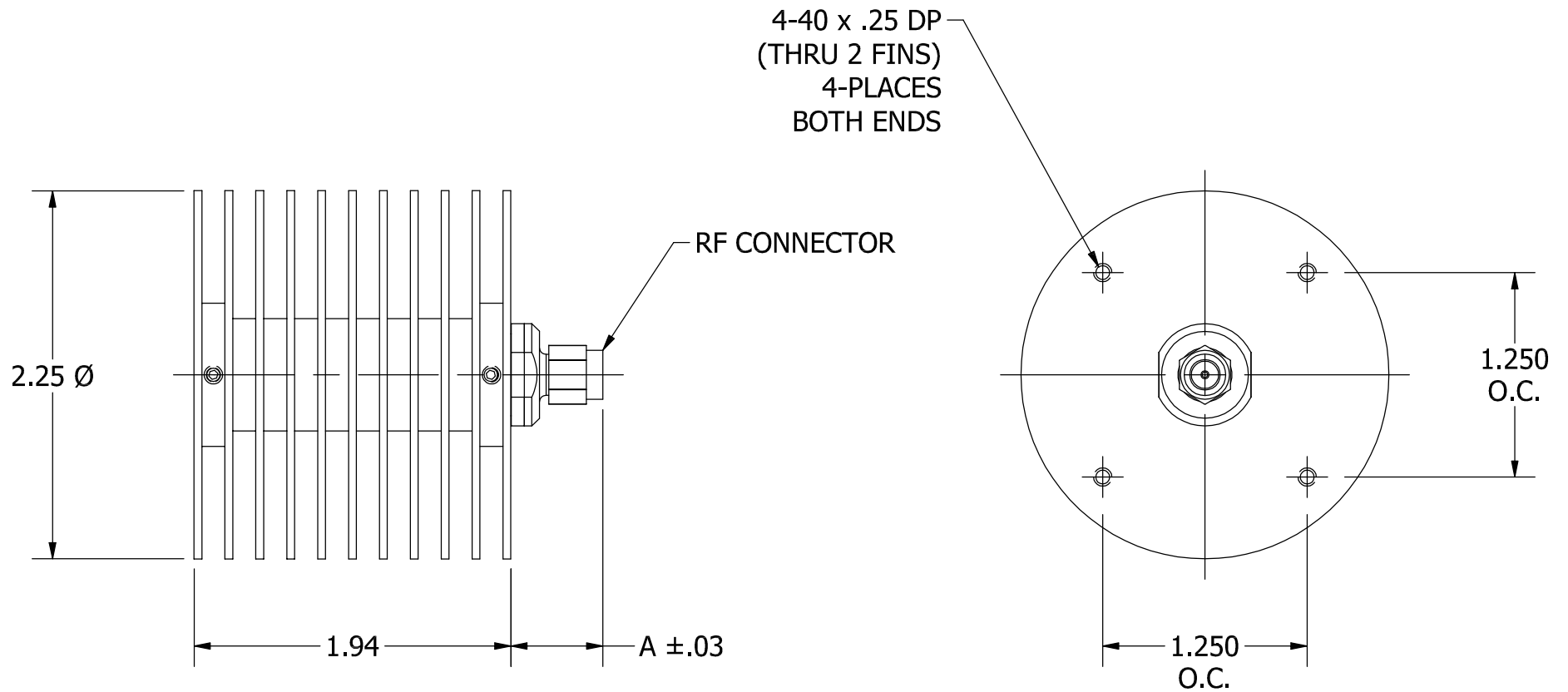


JFW INDUSTRIES, INC.

www.jfwindustries.com


PH: 317-887-1340

MATERIAL	PROPRIETARY INFORMATION
FINISH	ALL SURFACES ARE TO BE FREE OF BURRS, PITS & SCRATCHES
MODEL	50T-XXX-MBK
DESCRIPTION	40 WATT TERMINATION / MISMATCH WITH MOUNTING BRACKETS
SCALE	FULL
TOLERANCES	.XX±.010 .XXX±.005 XX°±.5°
DWG #	092-6229-02



RF CONNECTOR	DIM. A
SMA MALE	.56
SMA FEMALE	.52
BNC MALE	.80
BNC FEMALE	.60
TNC MALE	.80
TNC FEMALE	.60
N MALE	.96
N FEMALE	.73
7/16 MALE	1.31
7/16 FEMALE	1.22

REV	ECN	DATE	BY	APPR
-	ISSUED	6-5-16	TEZ	TEZ

		<h1>JFW INDUSTRIES, INC.</h1>	
		www.jfwindustries.com PH: 317-887-1340	
MATERIAL		PROPRIETARY INFORMATION	
FINISH		ALL SURFACES ARE TO BE FREE OF BURRS, PITS & SCRATCHES	
MODEL		50T-XXX-MH	SCALE FULL
DESCRIPTION		TOLERANCES .XX±.010 .XXX±.005 XX°±.5°	
40 WATT TERMINATION / MISMATCH WITH MOUNTING HOLES		DWG # 092-6229-01	