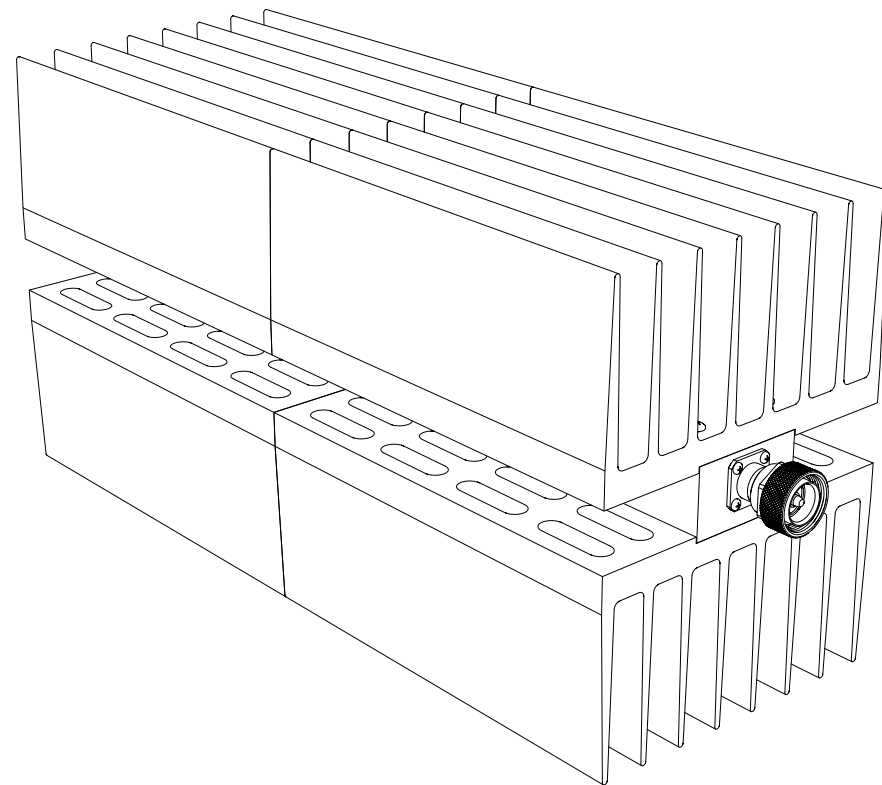
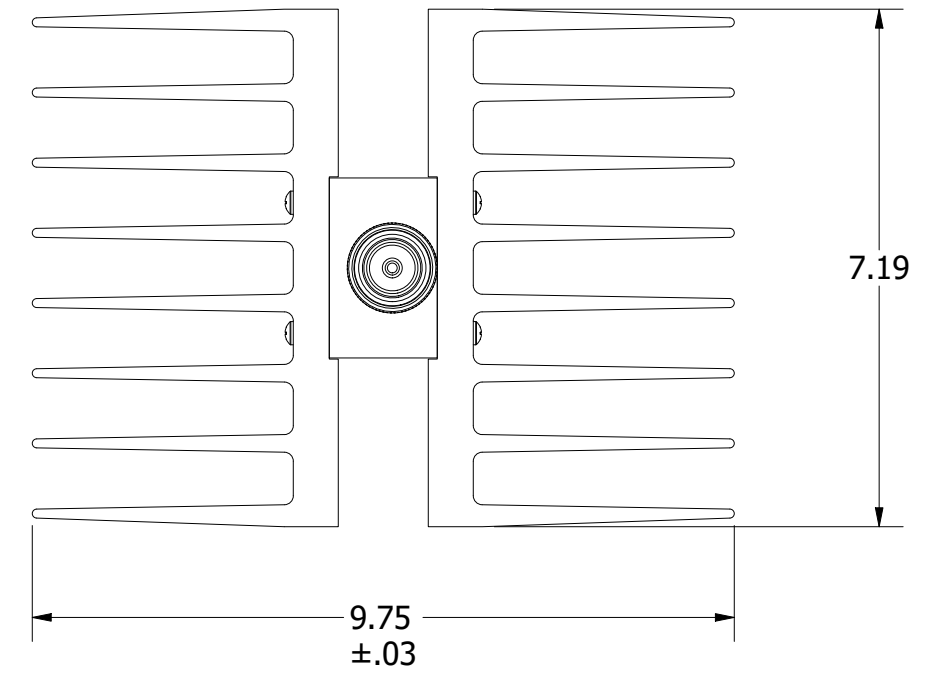
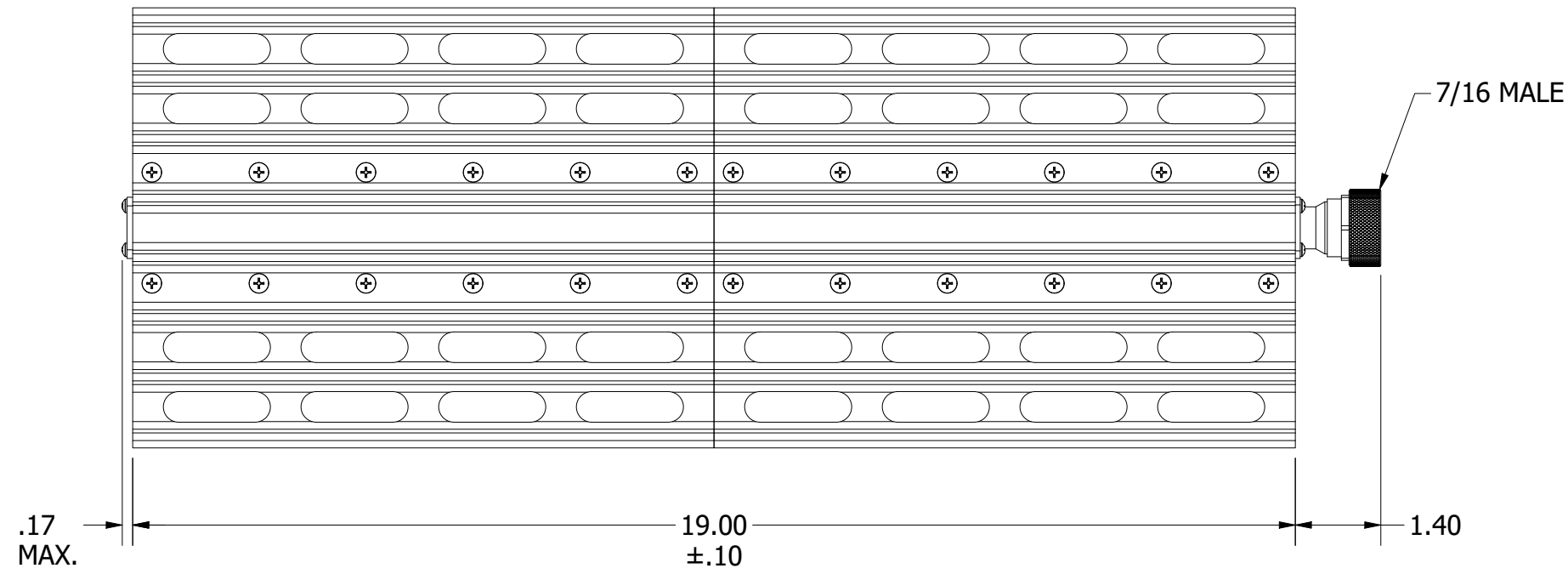


REV	ECN	DATE	BY	APPR
-	ISSUED	3-16-09	TEZ	SMR
A	24444	10-21-19	GM	TEZ


JFW INDUSTRIES, INC.

www.jfwindustries.com PH: 317-887-1340

MATERIAL	ALUMINUM ALLOY	PROPRIETARY INFORMATION
FINISH	CHEMFILM TCP / HEATSINK: BLACK ANODIZE	ALL SURFACES ARE TO BE FREE OF BURRS, PITS & SCRATCHES
MODEL	50T-XXX	TOLERANCES
DESCRIPTION	1000 WATT TERMINATION	.XX±.010 .XXX±.005 XX°±.5°
		DWG #
		092-6133-01



REV	ECN	DATE	BY	APPR
-	ISSUED	3-16-09	TEZ	SMR
A	24444	10-21-19	GM	TEZ

		JFW INDUSTRIES, INC. www.jfwindustries.com		PH: 317-887-1340	
FINISH CHEMFILM / HEATSINK: BLACK ANODIZE		MODEL 50T-XXX		SCALE 3/8	
DESCRIPTION 1000 WATT TERMINATION		TOLERANCES .XX±.010 .XXX±.005 XX*±.5°		DWG # 092-6133-02	