

REV	ECN	DATE	BY	APPR
-	ISSUED	3-26-10	TEZ	SMR
A	24444	10-11-19	GM	TEZ
B	30118	1-23-20	GM	JZ

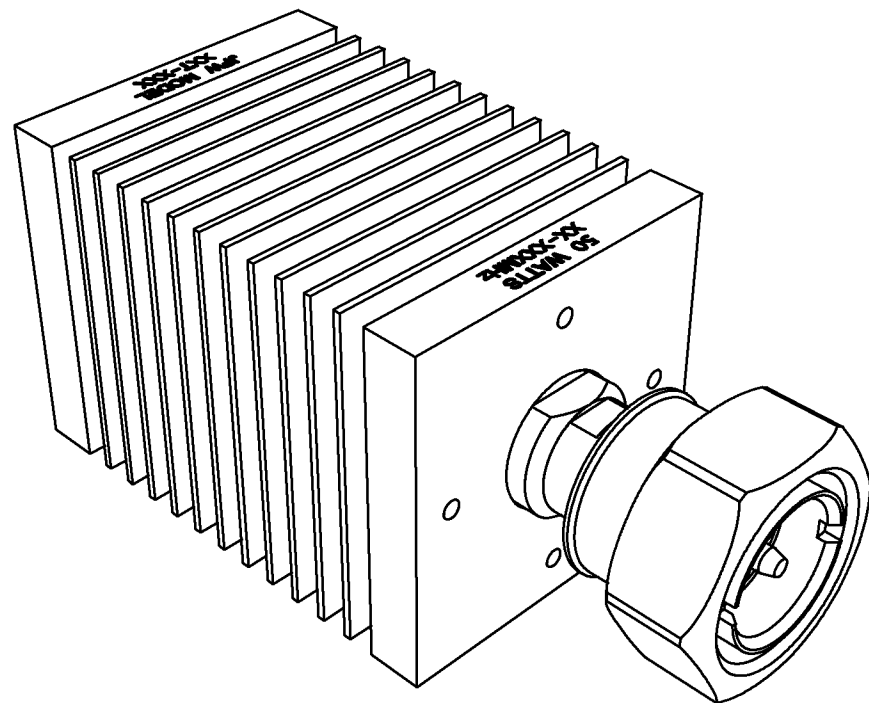
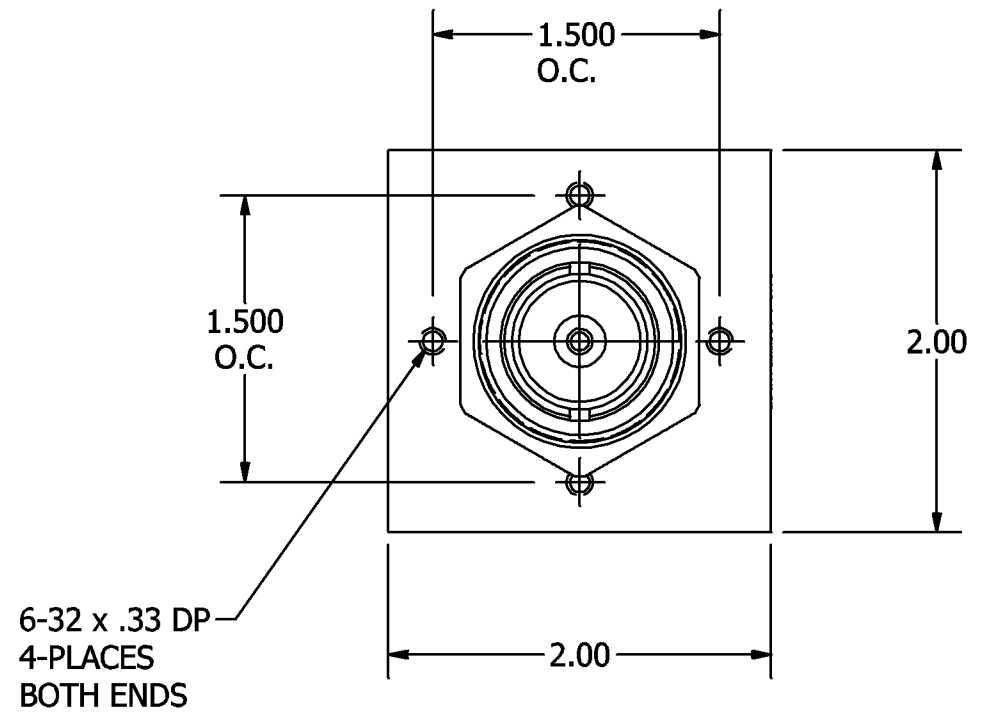
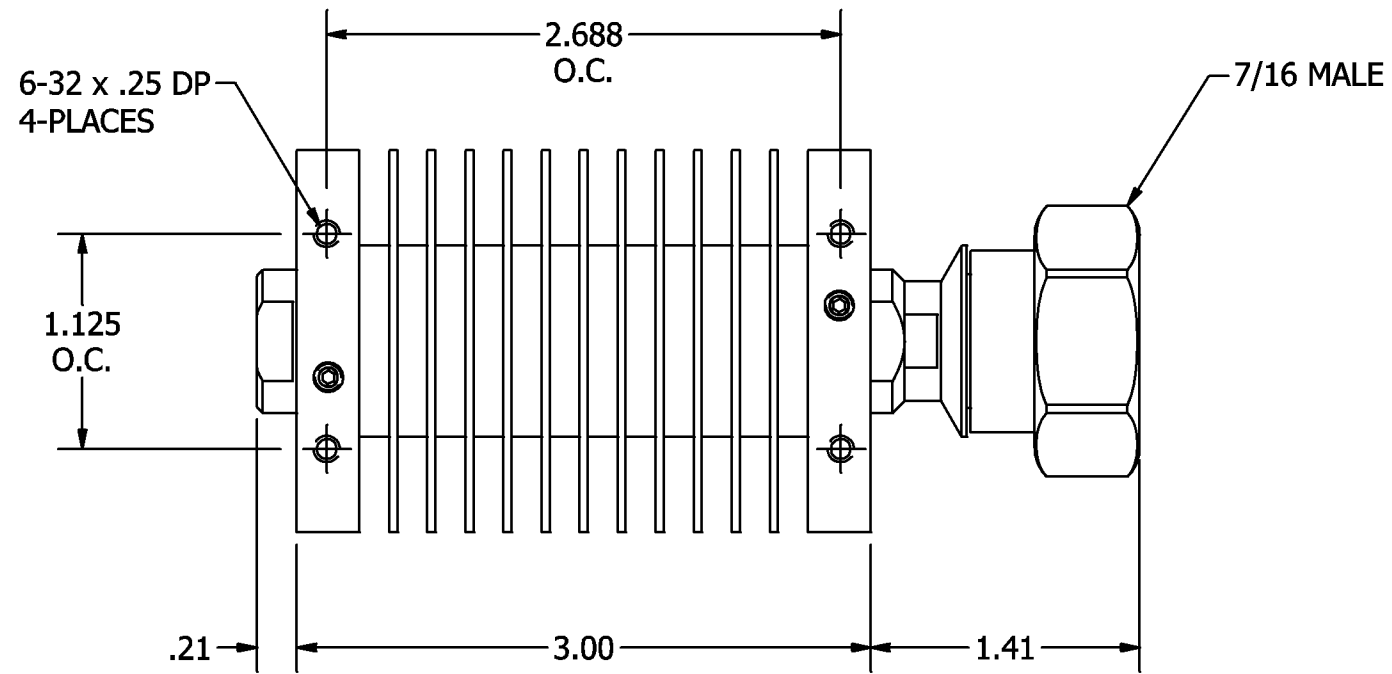


JFW INDUSTRIES, INC.

www.jfwindustries.com

PH: 317-887-1340

MATERIAL	ALUMINUM ALLOY	PROPRIETARY INFORMATION
FINISH	BLACK ANODIZE	ALL SURFACES ARE TO BE FREE OF BURRS, PITS & SCRATCHES
MODEL	SCALE FULL	TOLERANCES .XX±.010 .XXX±.005 XX°±.5°
DESCRIPTION	TERMINATION	DWG # 092-303-03



REV	ECN	DATE	BY	APPR
-	ISSUED	3-26-10	TEZ	SMR
A	24444	10-25-19	GM	TEZ
B	30118	1-27-20	GM	JZ

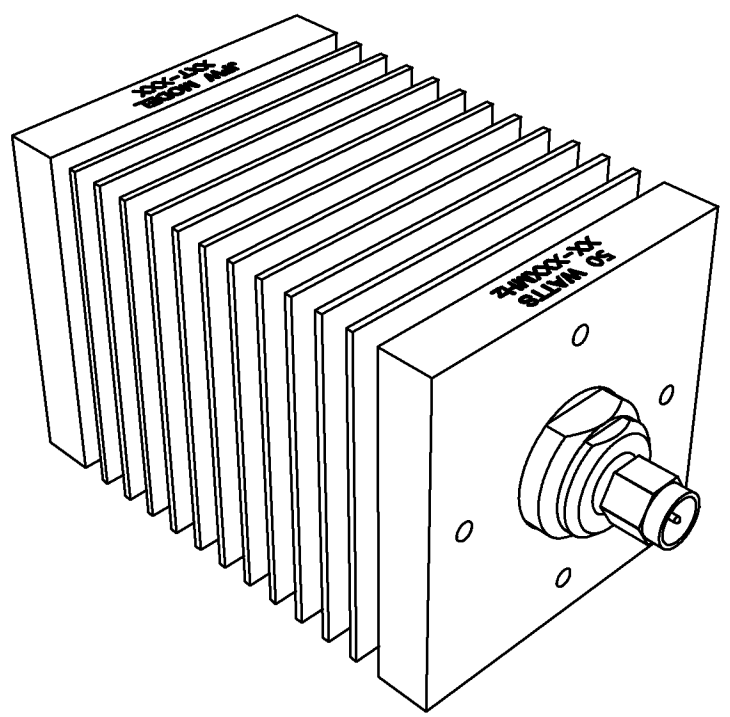
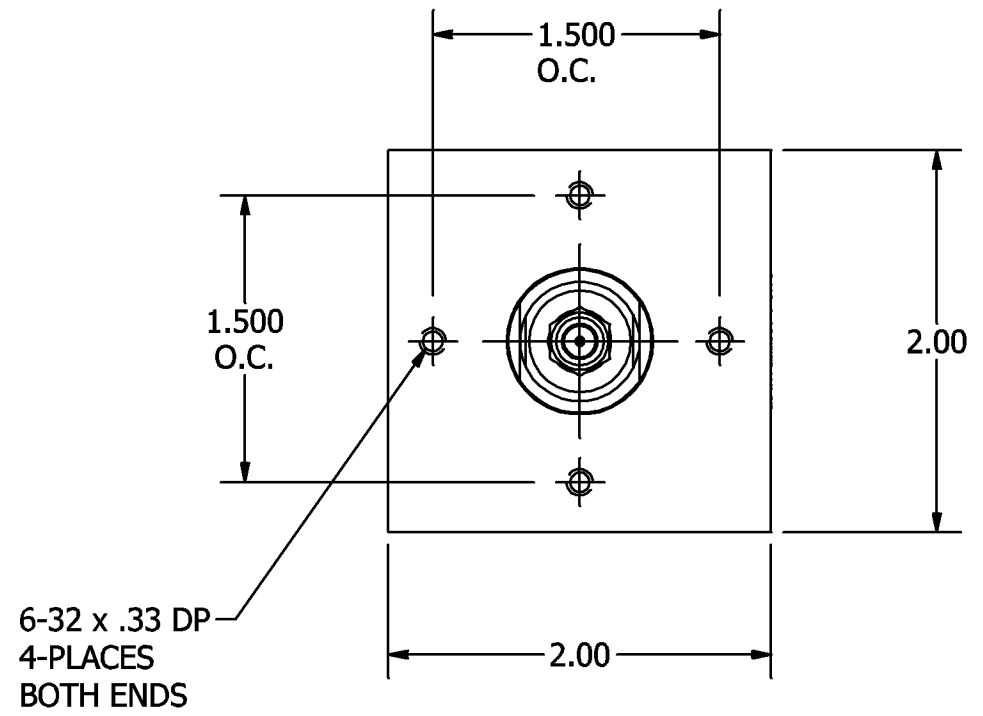
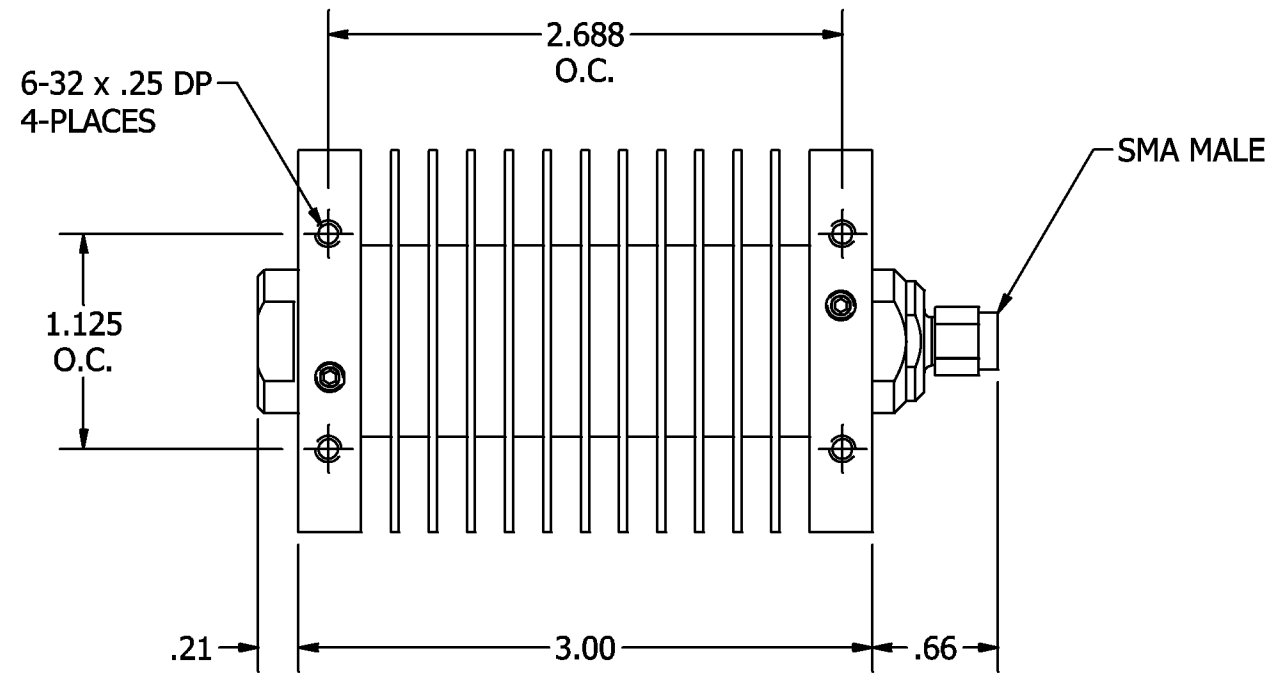


JFW INDUSTRIES, INC.

www.jfwindustries.com

PH: 317-887-1340

MATERIAL	ALUMINUM ALLOY	PROPRIETARY INFORMATION
FINISH	BLACK ANODIZE	ALL SURFACES ARE TO BE FREE OF BURRS, PITS & SCRATCHES
MODEL	SCALE FULL	TOLERANCES .XX±.010 .XXX±.005 XX°±.5°
DESCRIPTION	TERMINATION	DWG # 092-303-09



REV	ECN	DATE	BY	APPR
-	ISSUED	3-26-10	TEZ	SMR
A	24444	10-25-19	GM	TEZ
B	30118	1-27-20	GM	JZ



JFW INDUSTRIES, INC.

www.jfwindustries.com PH: 317-887-1340

MATERIAL	ALUMINUM ALLOY	PROPRIETARY INFORMATION
FINISH	BLACK ANODIZE	ALL SURFACES ARE TO BE FREE OF BURRS, PITS & SCRATCHES
MODEL		TOLERANCES
	SCALE FULL	.XX±.010 .XXX±.005 XX°±.5°
DESCRIPTION	TERMINATION	DWG #
		092-303-07