

SPECIFICATION SHEET

JFW MODEL 50BA-031-31

BENCHTOP PROGRAMMABLE ATTENUATOR ASSEMBLY

JFW Industries, Inc.
Phone: 317-887-1340
sales@jfwindustries.com
www.jfwindustries.com

Frequency Range	0.1-18 GHz
Configuration	Two individually controlled solid-state programmable attenuators
Enclosure Type	Mini-benchtop
Impedance	50 Ohms nominal
Attenuation Range	0-31 dB in 1 dB steps
Startup/Default States (configurable)	Maximum attenuation (see ATTEN STARTUP command) DHCP enabled (see NET command) 4 Ethernet users (see NET USERS command) Prompts off (see PROMPT command) Jog speed 5 (see JOG SPEED command)
VSWR	2.0:1 maximum < 1.7:1 typical
Attenuation Accuracy (guaranteed monotonic)	± 0.50 dB 1-8 dB ± 1.00 dB 9-31 dB
Insertion Loss	7.0 dB maximum 2.0 dB typical @ 0.1 GHz 3.2 dB typical @ 3 GHz 4.0 dB typical @ 6 GHz 5.5 dB typical @ 12.4 GHz 6.6 dB typical @ 18 GHz
RF Input Power	+20 dBm average +25 dBm (no damage) Warning: DC coupled, DC voltage must not exceed 0 Volts on RF connectors
Switching Speed	1 microsecond typical (after command is received and processed) (3 milliseconds typical processing time)
DC Supply	+12 Vdc (100-240 VAC AC/DC transformer included)
Manual Control	Momentary Lever Actuator Switch with 7-Segment LED Displays (tap to step, hold to jog) (jog speed range is 0-10) (jog speed set to 0 will disable all levers)

--CONTINUED--

SPECIFICATION SHEET

JFW MODEL 50BA-031-31

BENCHTOP PROGRAMMABLE ATTENUATOR ASSEMBLY

JFW Industries, Inc.
Phone: 317-887-1340
sales@jfwindustries.com
www.jfwindustries.com

Remote Control Ethernet (DHCP, TCP/IP, 10/100, up to 12 users)
RS-232 (up to 115200 Baud)

Remote Commands Attenuator Control Commands:
Atten, Set Attenuator, Read Attenuator, Set All
Attenuators, Read All Attenuators, Read All
Extended, Fade Attenuator, Variable Attenuator
Handover, Block, Set Block, Read Block, Read All
Blocks, Fade Block, Variable Block Handover

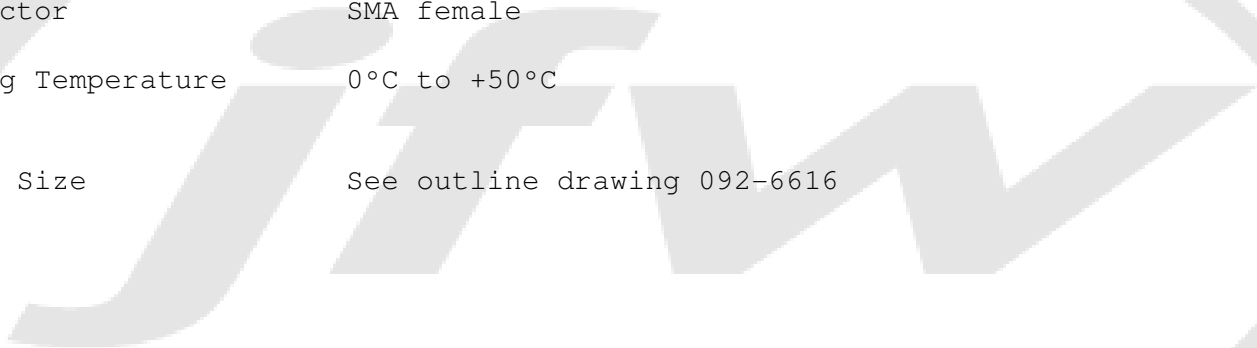
Switch Control Commands:
Switch, Set Switch, Read Switch

System Commands:
Help, Identification, Store, Recall, Pause, Net,
Serial, Close, Disconnect, MOTD, Date, Message,
Restrict, IDENT, Name, Show Users, Reboot,
Uptime, Prompt, Jog Speed

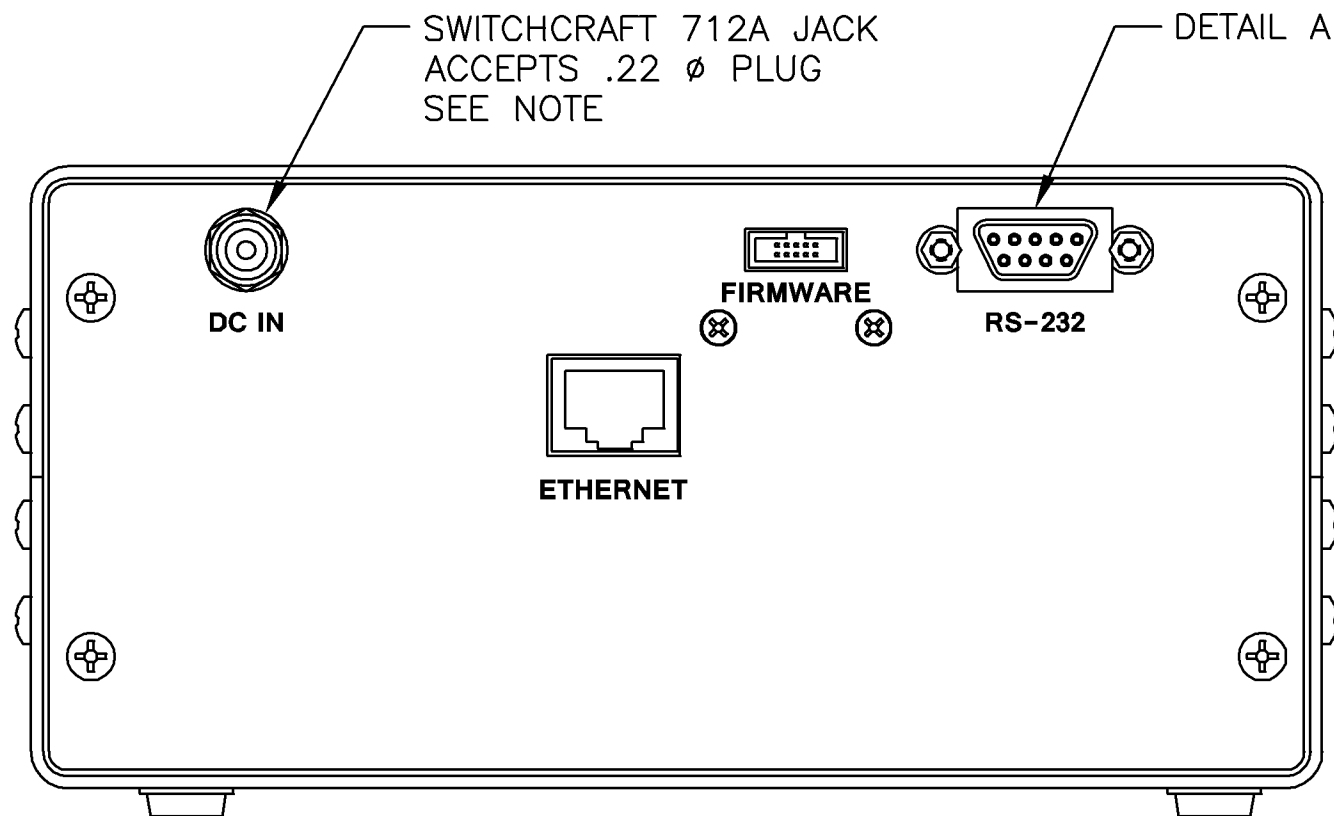
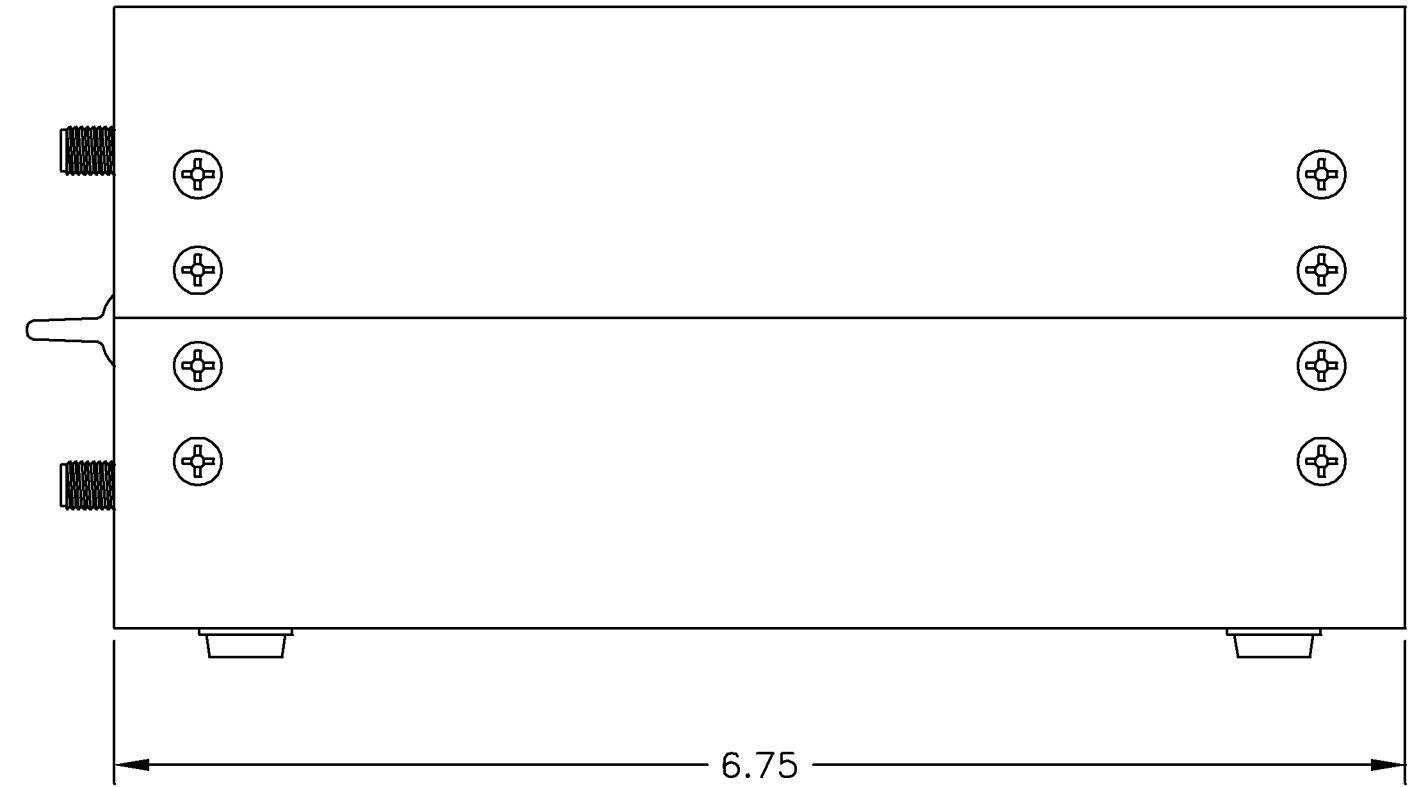
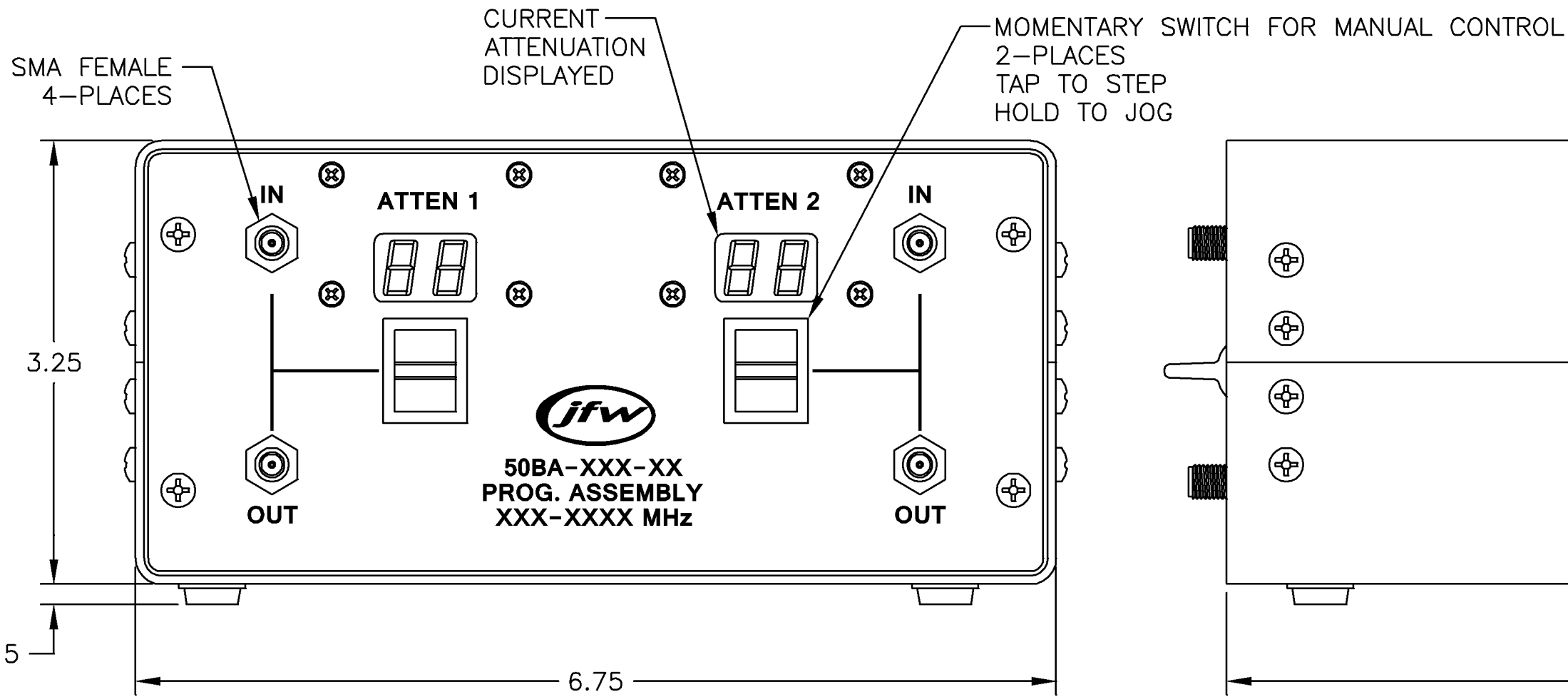
RF Connector SMA female

Operating Temperature Range 0°C to +50°C

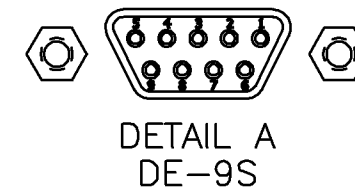
Physical Size See outline drawing 092-6616



ECR/ECN #	DATE	REV	APPR / DATE	ECR/ECN #	DATE	REV	APPR / DATE
	09/26/2017		CLK 09/26/2017				



REAR VIEW



PIN	FUNCTION
1	CHASSIS GROUND
2	RECEIVED DATA
3	TRANSMITTED DATA
4	NO CONNECTION
5	SIGNAL GROUND
6	NO CONNECTION
7	RTS
8	CTS
9	NO CONNECTION

NOTE:
THIS UNIT IS SUPPLIED WITH A 12 VOLT TRANSFORMER (100-240VAC)

REV	ECN	DATE	BY	APPR	MATERIAL		PROPRIETARY INFORMATION
-	ISSUED	7-1-10	BZ	TEZ	ALUMINUM ALLOY		ALL SURFACES ARE TO BE FREE OF BURRS, PITS, & SCRATCHES TOLERANCES .XX±.010 .XXX±.005 XX±.5 DWG #
A	18952	8-3-10	BZ	TEZ	FINISH CASE: BLACK PAINT / FRONT & REAR: GRAY PAINT		
B	18972	8-6-10	DTS	TRS	MODEL 50BA-XXX-XX		
C	19542	12-22-10	DCK	CLK	SCALE FULL		
D	24240	12-1-14	DTS	TRS	DESCRIPTION		
E	24846	1-22-15	JZ	BZ	MINI BENCHTOP ATTENUATOR		
F	28303	12-5-17	JZ	TEZ			



JFW INDUSTRIES, INC.

www.jfwindustries.com

PH: 317-887-1340

PROPRIETARY INFORMATION
ALL SURFACES ARE TO BE FREE OF BURRS, PITS, & SCRATCHES
TOLERANCES
.XX±.010 .XXX±.005 XX±.5

DWG # 092-6616