

SPECIFICATION SHEET

JFW MODEL 50BA-032-31

BENCHTOP PROGRAMMABLE ATTENUATOR ASSEMBLY

JFW Industries, Inc.
Phone: 317-887-1340
sales@jfwindustries.com
www.jfwindustries.com

Frequency Range	0.1-18 GHz
Configuration	Four individually controlled solid-state programmable attenuators
Enclosure Type	Mini-benchtop
Impedance	50 Ohms nominal
Attenuation Range	0-31 dB in 1 dB steps
Startup/Default States (configurable)	Maximum attenuation (see ATTEN STARTUP command) DHCP enabled (see NET command) 4 Ethernet users (see NET USERS command) Prompts off (see PROMPT command) Jog speed 5 (see JOG SPEED command)
VSWR	2.2:1 maximum < 1.7:1 typical
Attenuation Accuracy (guaranteed monotonic)	± 0.50 dB 1-8 dB ± 1.00 dB 9-16 dB ± 1.25 dB 17-31 dB
Insertion Loss	7.5 dB maximum 2.0 dB typical @ 0.1 GHz 3.2 dB typical @ 3 GHz 4.0 dB typical @ 6 GHz 5.5 dB typical @ 12.4 GHz 6.6 dB typical @ 18 GHz
RF Input Power	+20 dBm average +25 dBm (no damage) Warning: DC coupled, DC voltage must not exceed 0 Volts on RF connectors
Switching Speed	1 microsecond typical (after command is received and processed) (3 milliseconds typical processing time)
DC Supply	+12 Vdc (100-240 VAC AC/DC transformer included)

--CONTINUED--

SPECIFICATION SHEET

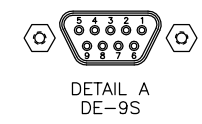
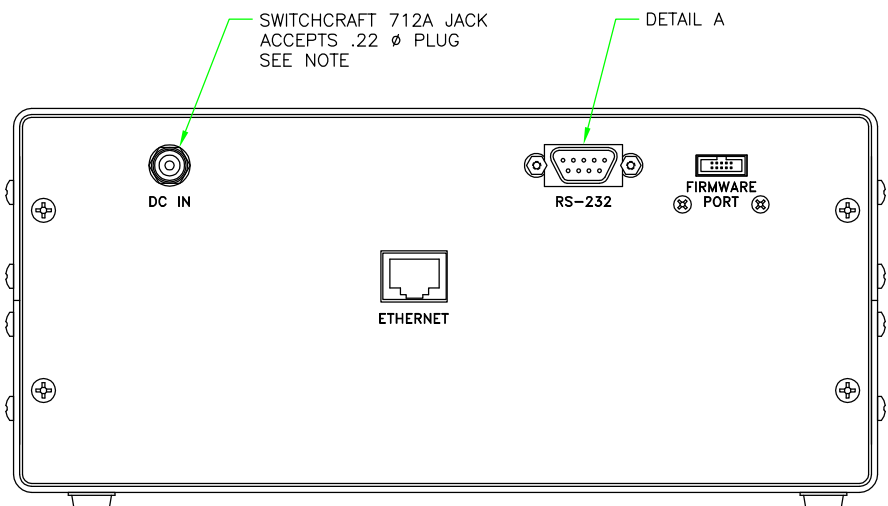
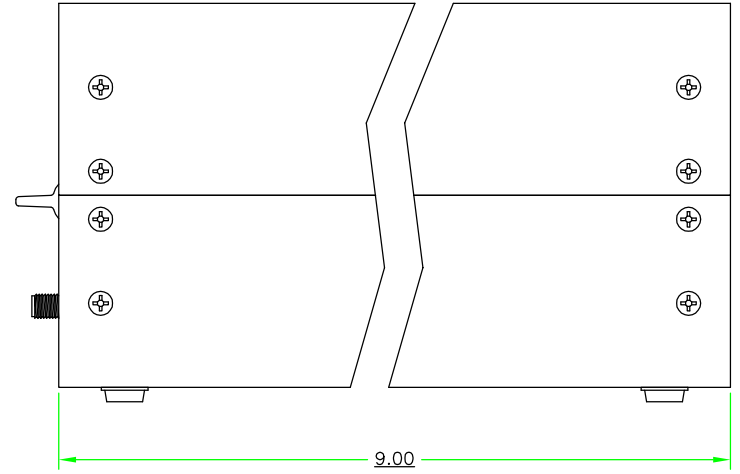
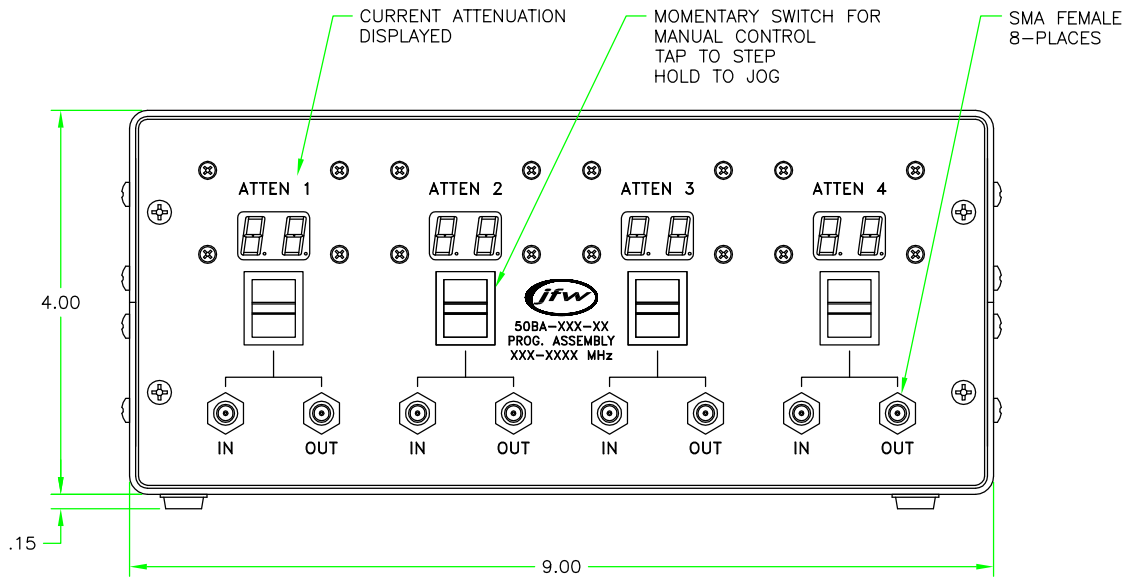
JFW MODEL 50BA-032-31

BENCHTOP PROGRAMMABLE ATTENUATOR ASSEMBLY

JFW Industries, Inc.
Phone: 317-887-1340
sales@jfwindustries.com
www.jfwindustries.com

Manual Control	Momentary Lever Actuator Switch with 7-Segment LED Displays (tap to step, hold to jog) (jog speed range is 0-10) (jog speed set to 0 will disable all levers)
Remote Control	Ethernet (DHCP, TCP/IP, 10/100, up to 12 users) RS-232 (up to 115200 Baud)
Remote Commands	Attenuator Control Commands: Atten, Set Attenuator, Read Attenuator, Set All Attenuators, Read All Attenuators, Read All Extended, Fade Attenuator, Variable Attenuator Handover, Block, Set Block, Read Block, Read All Blocks, Fade Block, Variable Block Handover Switch Control Commands: Switch, Set Switch, Read Switch System Commands: Help, Identification, Store, Recall, Pause, Net, Serial, Close, Disconnect, MOTD, Date, Message, Restrict, IDENT, Name, Show Users, Reboot, Uptime, Prompt, Jog Speed
RF Connector	SMA female
Operating Temperature Range	0°C to +50°C
Physical Size	See outline drawing 092-8150

ECR/ECN #	DATE	REV	APPR / DATE	ECR/ECN #	DATE	REV	APPR / DATE
	09/26/2017		CLK 09/26/2017				
28667	04/19/2018	A	CLK 04/19/2018				



PIN	FUNCTION
1	CHASSIS GROUND
2	RECEIVED DATA
3	TRANSMITTED DATA
4	NO CONNECTION
5	SIGNAL GROUND
6	NO CONNECTION
7	RTS
8	CTS
9	NO CONNECTION

NOTES:
 1) THIS UNIT IS SUPPLIED WITH A 12 VOLT TRANSFORMER (100-240V AC)
 2) THIS DRAWING CORRESPONDS TO HARDWARE REVISION A

REAR VIEW

REV	ECN	DATE	BY	APPR		JFW INDUSTRIES, INC.	www.jfwindustries.com	PH: 317-887-1340
-	ISSUED	11-5-14	DTS	TRB				
A	24846	1-22-15	JZ	BZ				
MATERIAL		ALUMINUM ALLOY		PROPRIETARY INFORMATION				
FINISH		CASE: BLACK PAINT / FRONT & REAR: GRAY PAINT		ALL SURFACES ARE TO BE FREE OF BURRS, PITS, & SCRATCHES				
MODEL		50BA-XXX-XX		SCALE		FULL		
DESCRIPTION		BENCHTOP ATTENUATOR		TOLERANCES		XX±.010 XXX±.005 Y0±.5'		
				DWG #		092-8150		