

SPECIFICATION SHEET
JFW MODEL 50HFAH-XXX
FIXED ATTENUATOR

JFW Industries, Inc.
Phone: 317-887-1340
sales@jfwindustries.com
www.jfwindustries.com

Frequency Range	DC-40 GHz
Impedance	50 Ohms nominal
Attenuation Values	3, 6, 10, 20 or 30 dB (standard values) 1, 2 or 5 dB (non-standard values)
VSWR	Standard Attenuation Values: 1.3:1 maximum DC-26.5 GHz 1.4:1 maximum 26.5-40 GHz Non-Standard Attenuation Values: 1 and 2 dB: 1.4:1 maximum DC-40 GHz 5 dB: 1.5:1 maximum DC-40 GHz
Attenuation Accuracy	Standard Attenuation Values: 3 and 6 dB: ± 0.5 dB DC-26.5 GHz ± 0.8 dB 26.5-40 GHz 10 and 20 dB: ± 0.6 dB DC-26.5 GHz ± 1.0 dB 26.5-40 GHz 30 dB: ± 0.8 dB DC-26.5 GHz ± 1.0 dB 26.5-40 GHz Non-Standard Attenuation Values: 1 and 2 dB: ± 0.5 dB DC-26.5 GHz ± 0.6 dB 26.5-40 GHz 5 dB: ± 0.5 dB DC-26.5 GHz ± 1.0 dB 26.5-40 GHz
RF Input Power	0.5 Watts average @ +25°C Derate to 0.1 Watts @ +125°C
RF Connector	2.9mm male/female

--CONTINUED--

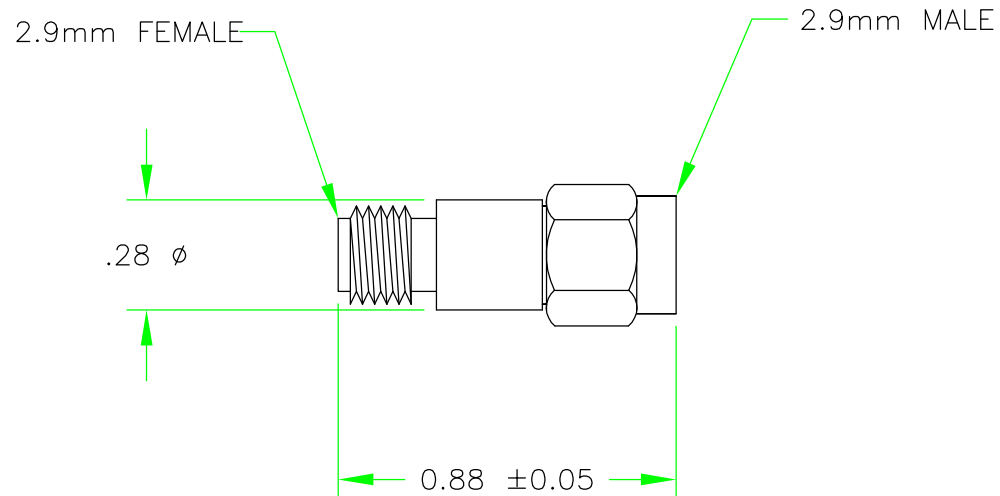
SPECIFICATION SHEET
JFW MODEL 50HFAH-XXX
FIXED ATTENUATOR


JFW Industries, Inc.
Phone: 317-887-1340
sales@jfwindustries.com
www.jfwindustries.com

Operating Temperature Range -65°C to +125°C
Construction Stainless steel body and connectors
Physical Size See outline drawing 092-7248



ECR/ECN #	DATE	REV	APPR / DATE	ECR/ECN #	DATE	REV	APPR / DATE
	10/07/2002			24777	12/08/2014	C	CLK 12/08/2014
9999	07/23/2003	A	SL 04/14/2004	28488	02/07/2018	D	CLK 02/07/2018
21348	03/02/2012	B	CLK 03/02/2012				



REV	ECN	DATE	BY	APPR	 JFW INDUSTRIES, INC. www.jfwindustries.com PH: 317-887-1340	
-	ISSUED	3-2-12	JZ	TEZ		
					MATERIAL	PROPRIETARY INFORMATION
					FINISH	ALL SURFACES ARE TO BE FREE OF BURRS, PITS, & SCRATCHES
					MODEL	TOLERANCES
						.XX \pm .010 .XXX \pm .005 XX' \pm .5'
					DESCRIPTION	DWG #
					FIXED ATTENUATOR	092-7248