

SPECIFICATION SHEET
JFW MODEL 50HFAR-XXX
FIXED ATTENUATOR

JFW Industries, Inc.
 Phone: 317-887-1340
 sales@jfwindustries.com
 www.jfwindustries.com

Frequency Range DC-40 GHz

Impedance 50 Ohms nominal

Attenuation Values 3, 6, 10, 20 or 30 dB (standard values)
 1, 2 or 5 dB (non-standard values)

VSWR Standard Attenuation Values:
 1.3:1 maximum DC-18 GHz
 1.4:1 maximum 18-40 GHz

Non-Standard Attenuation Values:
 1.4:1 maximum DC-18 GHz
 1.5:1 maximum 18-40 GHz

Attenuation Accuracy Standard Attenuation Values:
 3 and 6 dB:
 ± 0.5 dB DC-26.5 GHz
 ± 0.8 dB 26.5-40 GHz

10, 20 and 30dB:
 ± 0.6 dB DC-26.5 GHz
 ± 1.0 dB 26.5-40 GHz

Non-Standard Attenuation Values:
 1 and 2 dB:
 ± 0.5 dB DC-26.5 GHz
 ± 0.8 dB 26.5-40 GHz

5 dB:
 ± 0.8 dB DC-26.5 GHz
 ± 1.2 dB 26.5-40 GHz

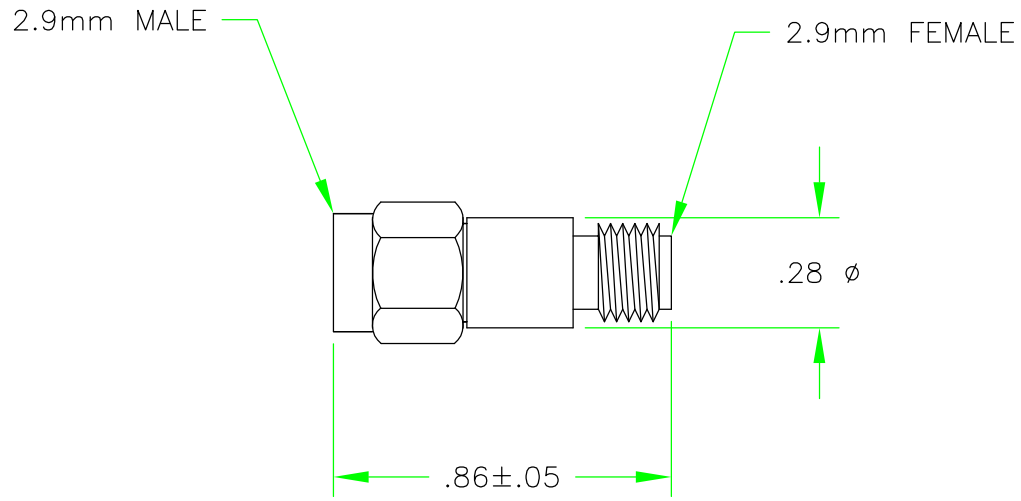
RF Input Power 2 Watts average @ +25°C
 Derate to 0.1 Watts @ +125°C


RF Connector 2.9mm male/female

Operating Temperature Range -65°C to +125°C

Physical Size See outline drawing 092-8085

ECR/ECN #	DATE	REV	APPR / DATE	ECR/ECN #	DATE	REV	APPR / DATE
	11/25/2014		CLK 11/25/2014				
28470	02/07/2018	A	CLK 02/07/2018				



REV	ECN	DATE	BY	APPR	 JFW INDUSTRIES, INC. www.jfwindustries.com PH: 317-887-1340	
-	ISSUED	9-4-14	TEZ	TEZ		
					MATERIAL	PROPRIETARY INFORMATION
					FINISH	ALL SURFACES ARE TO BE FREE OF BURRS, PITS, & SCRATCHES
					MODEL	TOLERANCES
					DESCRIPTION	.XX ± .010 .XXX ± .005 XX' ± .5'
						DWG #
					2.9mm MALE/FEMALE	092-8085