

SPECIFICATION SHEET

JFW MODEL 50MS-367

4 X 4 BLOCKING ELECTRO-MECHANICAL MATRIX SWITCH

JFW Industries, Inc.
Phone: 317-887-1340
sales@jfwindustries.com
www.jfwindustries.com

Frequency Range	DC-40 GHz
Configuration	4 x 4 Blocking Matrix (Unused Input Ports self-terminating) (Unused Output Ports self-terminating) (See Block Diagram 092-7300)
Startup/Default States (configurable)	ALL PORTS OFF (see MATRIX startup command) DHCP enabled (see NET command) 4 Ethernet users (see NET USERS command) Prompts off (see PROMPT command)
Impedance	50 Ohms nominal
VSWR	1.30:1 typical DC-8 GHz 1.60:1 typical 8-18 GHz 1.90:1 typical 18-26.5 GHz 2.00:1 typical 26.5-40 GHz 1.60:1 maximum DC-8 GHz 2.25:1 maximum 8-18 GHz 2.50:1 maximum 18-26.5 GHz 2.75:1 maximum 26.5-40 GHz
Insertion Loss	1.25 dB typical @ 4.0 GHz 1.75 dB typical @ 8.0 GHz 3.00 dB typical @ 18.0 GHz 4.00 dB typical @ 26.5 GHz 4.50 dB typical @ 33.0 GHz 5.50 dB typical @ 40.0 GHz 2.50 dB maximum DC-8 GHz 3.75 dB maximum 8-18 GHz 4.75 dB maximum 18-26.5 GHz 6.50 dB maximum 26.5-40 GHz
Isolation	Input to Input: 100 dB typical @ 8 GHz 80 dB typical @ 40 GHz 60 dB minimum DC-40 GHz Output to Output: 100 dB typical @ 8 GHz 80 dB typical @ 40 GHz 60 dB minimum DC-40 GHz Input to Output: 100 dB typical @ 8 GHz 95 dB typical @ 40 GHz 85 dB minimum DC-40 GHz

--CONTINUED--

SPECIFICATION SHEET

JFW MODEL 50MS-367

4 X 4 BLOCKING ELECTRO-MECHANICAL MATRIX SWITCH

JFW Industries, Inc.
Phone: 317-887-1340
sales@jfwindustries.com
www.jfwindustries.com

RF Input Power* 25 Watts average average DC-18 GHz
15 Watts average 18-26.5 GHz
8 Watts average 26.5-40 GHz

*Self-terminations rated at 1 Watt max.

Switching Speed 20 milliseconds
(after command is received & processed)
(3 milliseconds typical processing time)

AC Supply 100-240 VAC @ 47-63 Hz
4 Amp 5x20mm "Slo-Blo" AC fuse
Littelfuse #215-004, JFW #025-018

Manual Control 20-Button Keypad and LCD display
(IP Address configurable via keypad)
(Net mask configurable via keypad)
(Gateway configurable via keypad)
(Baud rate configurable via keypad)

Remote Control Ethernet (DHCP, TCP/IP, 10/100, up to 12 users)
RS-232 (up to 115200 Baud)

Remote Commands Matrix Commands:
Set Output, Read Output, Read All Outputs

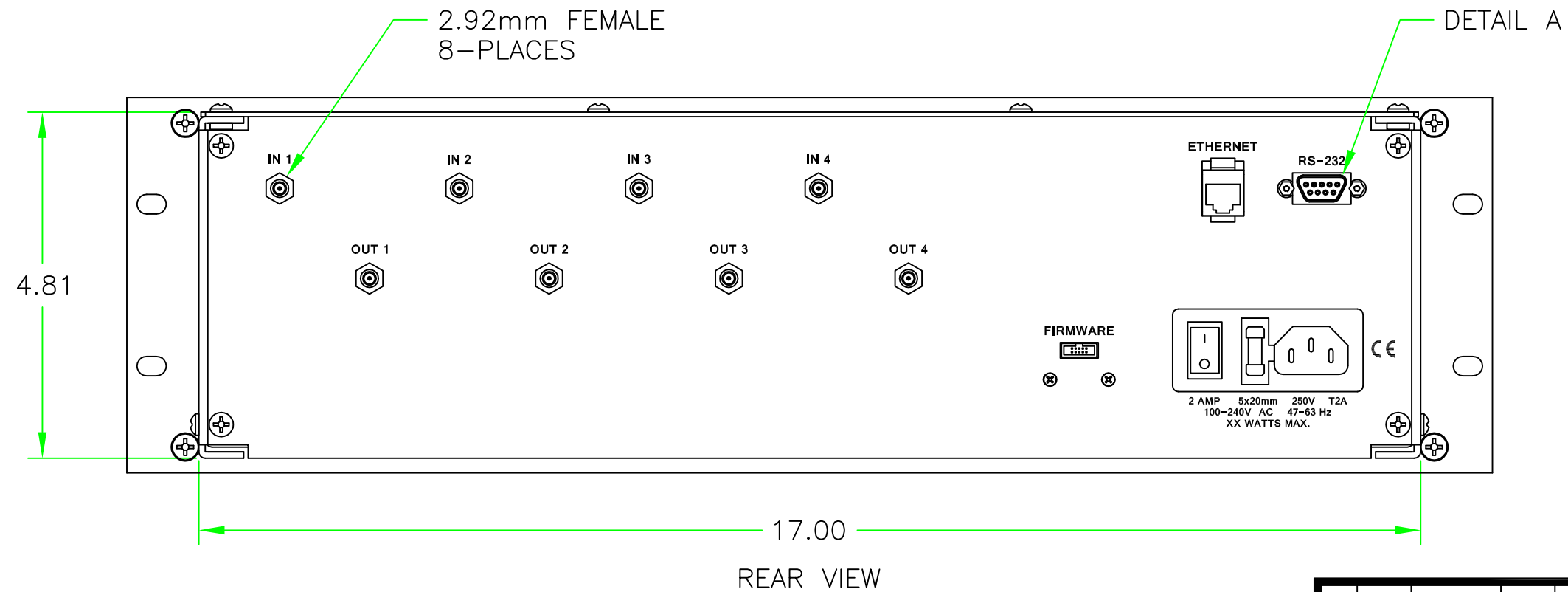
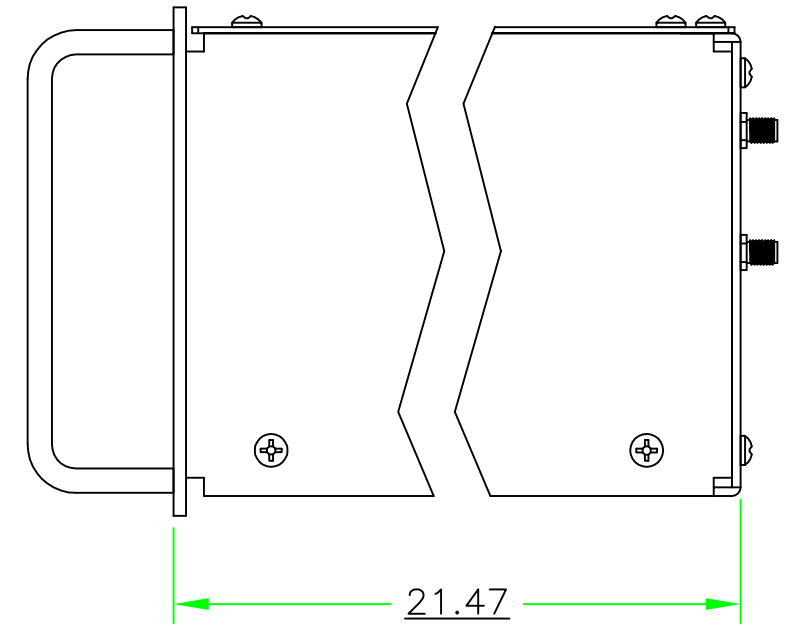
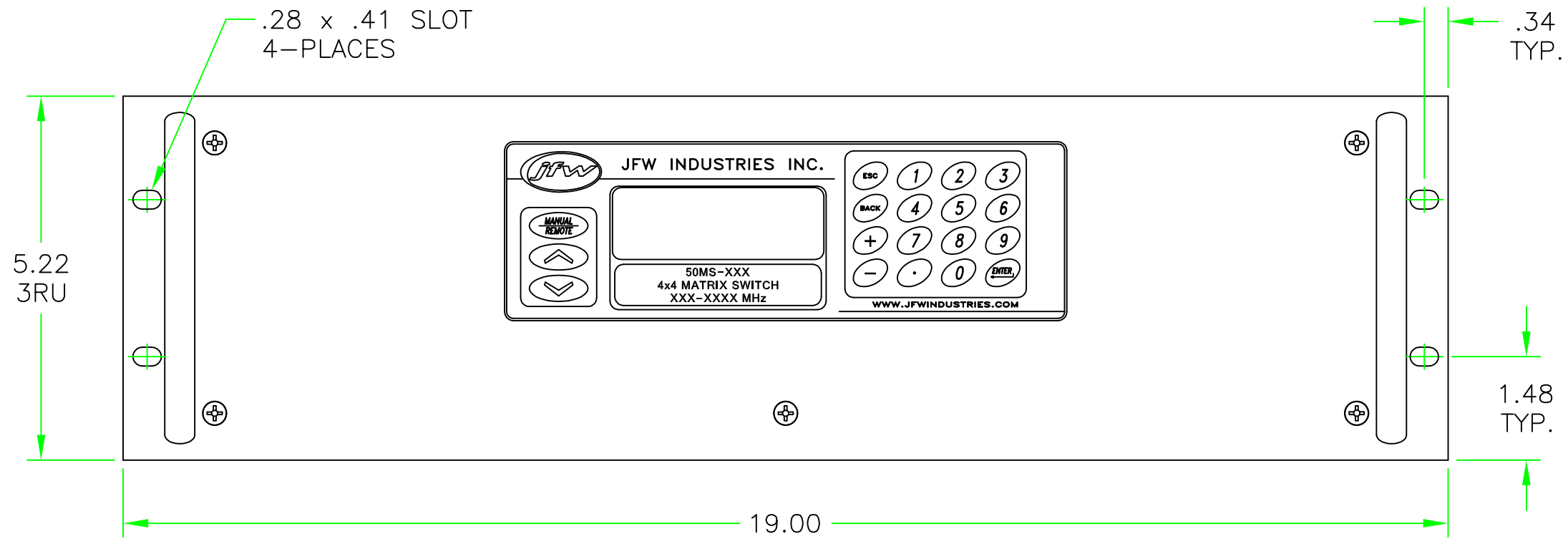
System Commands:
Help, Identification, Store, Recall, Pause, Net,
Serial, Close, Disconnect, MOTD, Date,
Message, Restrict, IDENT, Name, Show Users, Reboot,
Uptime, Prompt

RF Connector 2.92MM female

Operating Temperature Range 0°C to +50°C

Physical Size See outline drawing 092-6835-01

ECR/ECN #	DATE	REV	APPR / DATE	ECR/ECN #	DATE	REV	APPR / DATE
	03/30/2017		BAC 03/30/2017				

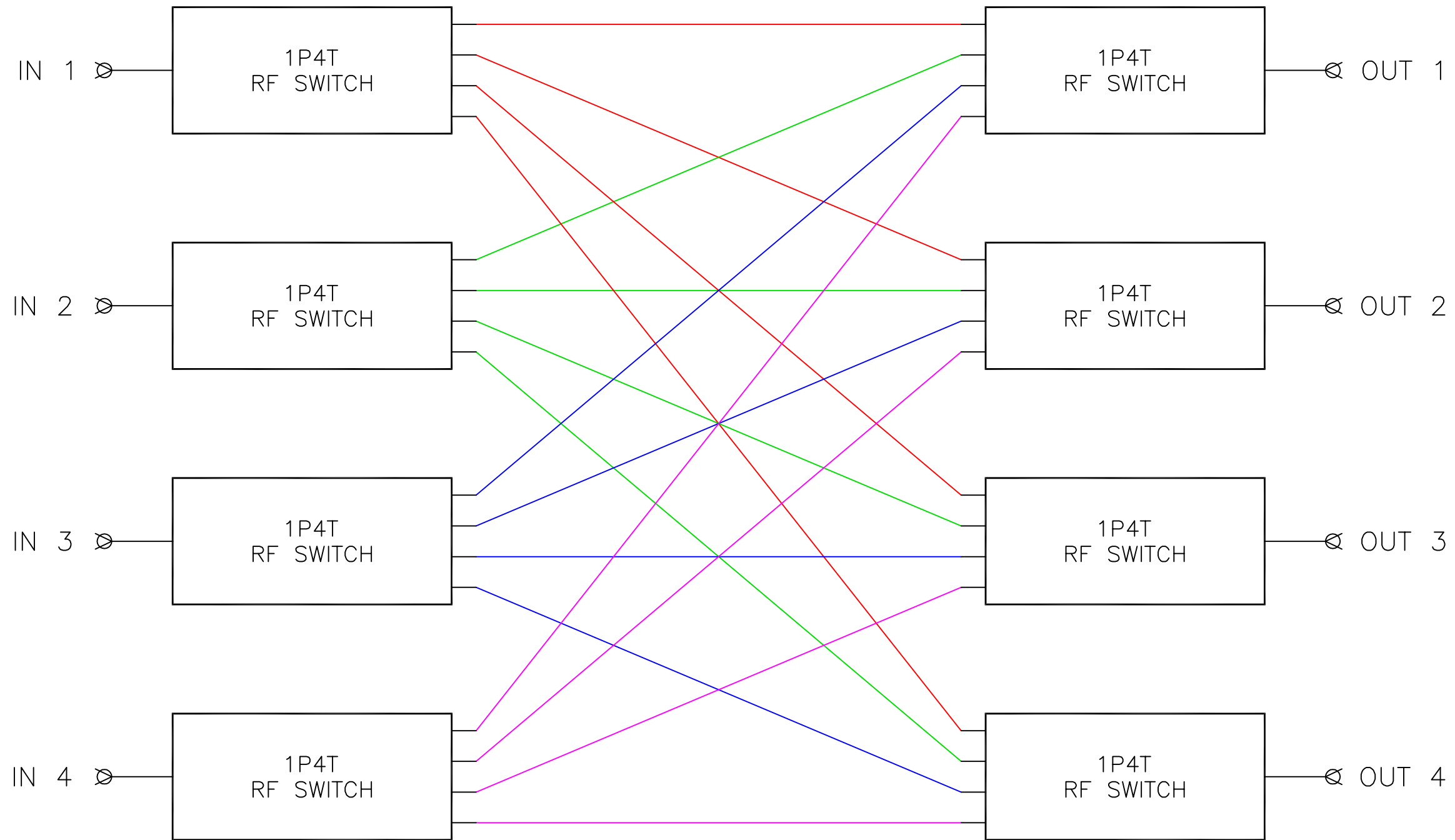


PIN	FUNCTION
1	CHASSIS GROUND
2	RECEIVED DATA
3	TRANSMITTED DATA
4	NO CONNECTION
5	SIGNAL GROUND
6	NO CONNECTION
7	RTS
8	CTS
9	NO CONNECTION

REV	ECN	DATE	BY	APPR
-	ISSUED	3-30-17	TEZ	BC

JFW INDUSTRIES, INC.
www.jfwindustries.com PH: 317-887-1340

MATERIAL	ALUMINUM ALLOY	PROPRIETARY INFORMATION
FINISH	CHEMFILM TCP / FRONT: BLACK	ALL SURFACES ARE TO BE FREE OF BURRS, PITS, & SCRATCHES
MODEL	50MS-XXX	TOLERANCES .XX±.010 .XXX±.005 XX±.5'
DESCRIPTION	4x4 MATRIX SWITCH	DWG # 092-6835-01



REV	ECN	DATE	BY	APPR
-	ISSUED	3-16-12	BZ	TEZ
A	27723	4-17-17	DTS	TRS

JFW INDUSTRIES, INC.
www.jfwindustries.com PH: 317-887-1340

MATERIAL	PROPRIETARY INFORMATION
FINISH	ALL SURFACES ARE TO BE FREE OF BURRS, PITS, & SCRATCHES
MODEL	TOLERANCES .XX±.010 .XXX±.005 XX'±.5'
DESCRIPTION	DWG #
4x4 BLOCKING MATRIX BLOCK DIAGRAM	092-7300