

**SPECIFICATION SHEET**

**JFW MODEL 50P-2061**

**SOLID STATE PROGRAMMABLE ATTENUATOR**

JFW Industries, Inc.  
Phone: 317-887-1340  
sales@jfwindustries.com  
www.jfwindustries.com

Frequency Range 0.1-18 GHz

Impedance 50 Ohms nominal

Attenuation Range 0-31 dB in 1 dB steps

Attenuation Steps 1, 2, 4, 8 and 16 dB

VSWR 2.0:1 maximum  
< 1.5:1 typical

Attenuation Accuracy (guaranteed monotonic) ± 0.50 dB 1-8 dB  
± 0.75 dB 9-15 dB  
± 1.00 dB or 4% 16-31 dB  
(whichever is greater)

Insertion Loss 6.2 dB maximum  
1.9 dB typical @ 0.1 GHz  
2.9 dB typical @ 3 GHz  
3.5 dB typical @ 6 GHz  
4.8 dB typical @ 12.4 GHz  
5.7 dB typical @ 18 GHz

RF Input Power +20 dBm (operating)  
+25 dBm (no damage)

Warning: DC coupled, DC voltage must not exceed 0 Volts on RF connectors

Switching Speed 1 microsecond maximum  
0.7 microseconds typical

DC Supply +5Vdc @ 5mA nominal

Control Logic (6 Lines) TTL Low for Thru Path  
TTL High for Attenuation

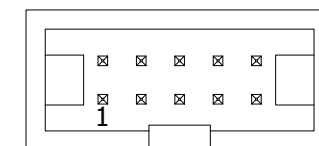
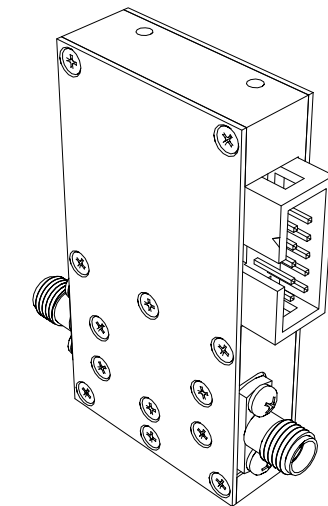
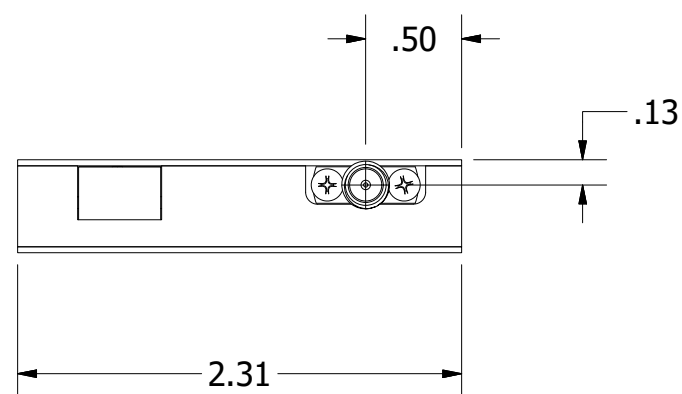
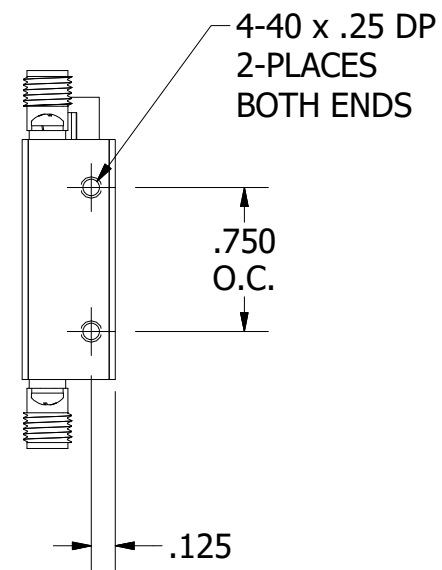
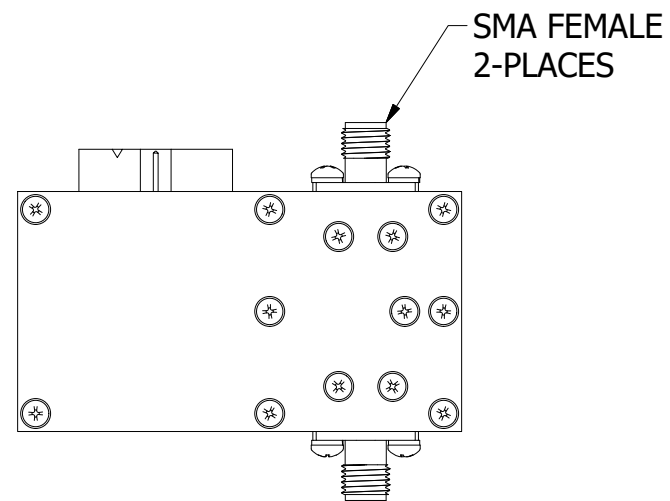
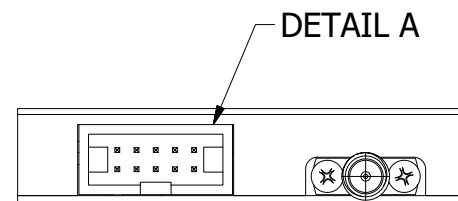
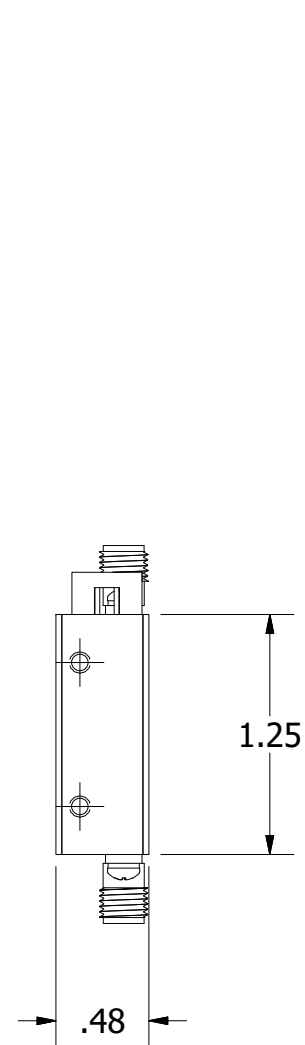
DC Connector T&B #609-1007

RF Connector SMA

Operating Temperature Range -40°C to +85°C

Physical Size See outline drawing 092-8882

ECR/ECN #	DATE	REV	APPR / DATE	ECR/ECN #	DATE	REV	APPR / DATE
	07/27/2017		CLK 07/27/2017				
28749	05/14/2018	A	CLK 05/14/2018				



DETAIL A  
T&B #609-1057

PIN	FUNCTION
1	1dB TTL INPUT
2	2dB TTL INPUT
3	4dB TTL INPUT
4	8dB TTL INPUT
5	16dB TTL INPUT
6	NO CONNECTION
7	NO CONNECTION
8	NO CONNECTION
9	+5 Vdc
10	GROUND

REV	ECN	DATE	BY	APPR
-	ISSUED	8-2-17	JZ	TEZ
A	28118	9-22-17	JZ	TEZ
B	28756	5-16-18	JZ	CLK



**JFW INDUSTRIES, INC.**

www.jfwindustries.com

PH: 317-887-1340

MATERIAL	ALUMINUM ALLOY	PROPRIETARY INFORMATION
FINISH	ELECTROLESS NICKEL	ALL SURFACES ARE TO BE FREE OF BURRS, PITS & SCRATCHES
MODEL	50P-XXXX	TOLERANCES .XX±.010 .XXX±.005 XX°±.5°
DESCRIPTION	PROGRAMMABLE ATTENUATOR	DWG # 092-8882