

SPECIFICATION SHEET

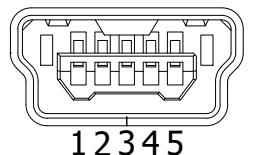
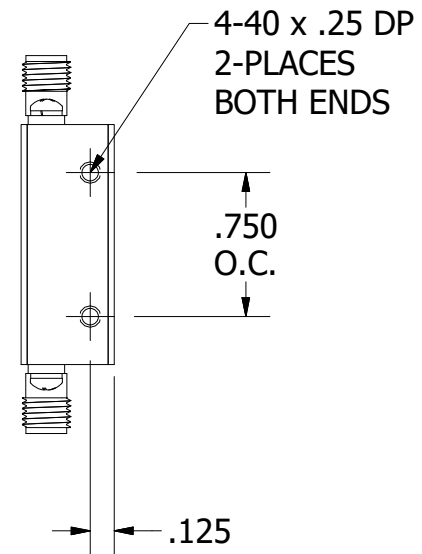
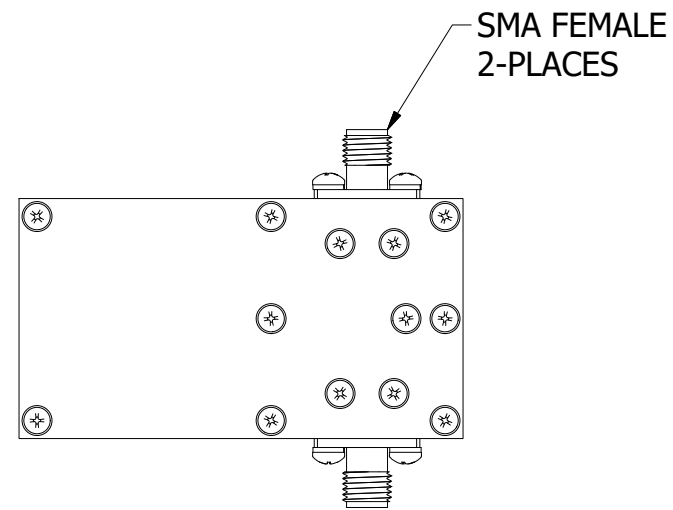
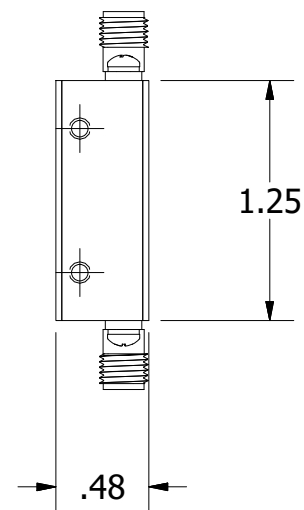
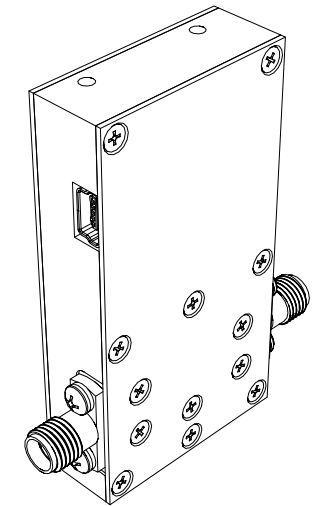
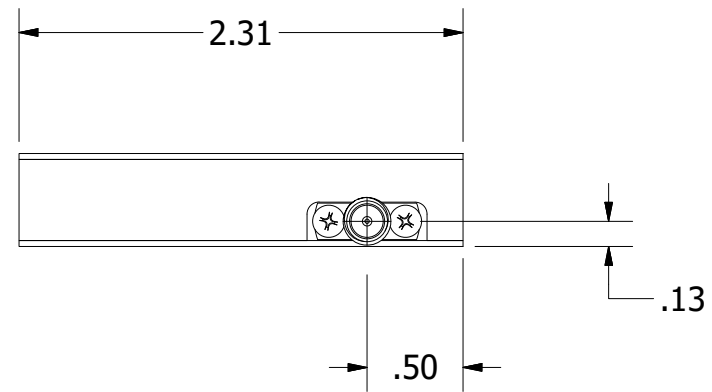
JFW MODEL 50P-2068

SOLID STATE PROGRAMMABLE ATTENUATOR

JFW Industries, Inc.
Phone: 317-887-1340
sales@jfwindustries.com
www.jfwindustries.com

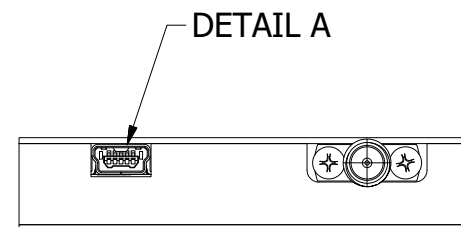
Frequency Range	0.1-18 GHz
Impedance	50 Ohms nominal
Attenuation Range	0-31 dB in 1 dB steps
Attenuation Steps	1, 2, 4, 8 and 16 dB
VSWR	2.0:1 maximum < 1.5:1 typical
Attenuation Accuracy (guaranteed monotonic)	± 0.50 dB 1-8 dB ± 0.75 dB 9-15 dB ± 1.00 dB or 4% 16-31 dB (whichever is greater)
Insertion Loss	6.2 dB maximum 1.9 dB typical @ 0.1 GHz 2.9 dB typical @ 3 GHz 3.5 dB typical @ 6 GHz 4.8 dB typical @ 12.4 GHz 5.7 dB typical @ 18 GHz
RF Input Power	+20 dBm (operating) +25 dBm (no damage) Warning: DC coupled, DC voltage must not exceed 0 Volts on RF connectors
Switching Speed	1 microsecond maximum 0.7 microseconds typical
DC Supply	+5Vdc @ 50 mA nominal
Control	USB control
Test Software (Microsoft .NET 4.0+) (Windows Vista or greater)	The included JFW software allows control of multiple USB devices. Managed .Net 4.0 library and Python 3 support available for user made applications
DC Connector	USB MINI-B 6' USB A to USB Mini-B Cable Included
RF Connector	SMA
Operating Temperature Range	-40°C to +85°C
Physical Size	See outline drawing 092-8906

ECR/ECN #	DATE	REV	APPR / DATE	ECR/ECN #	DATE	REV	APPR / DATE
	09/06/2017		CLK 09/06/2017				
28753	05/15/2018	A	CLK 05/15/2018				



DETAIL A
USB MINI-B

PIN	FUNCTION
1	+5Vdc
2	D-
3	D+
4	NO CONNECTION
5	GROUND



REV	ECN	DATE	BY	APPR
-	ISSUED	9-13-17	JZ	TEZ
A	28756	5-16-18	JZ	CLK



JFW INDUSTRIES, INC.

www.jfwindustries.com

PH: 317-887-1340

MATERIAL	ALUMINUM ALLOY	PROPRIETARY INFORMATION
FINISH	ELECTROLESS NICKEL	ALL SURFACES ARE TO BE FREE OF BURRS, PITS & SCRATCHES
MODEL	50P-XXXX	TOLERANCES .XX±.010 .XXX±.005 XX*±.5°
DESCRIPTION	PROGRAMMABLE ATTENUATOR	DWG # 092-8906