

SPECIFICATION SHEET

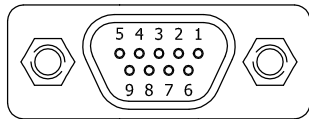
JFW MODEL 50P-2072

SOLID STATE PROGRAMMABLE ATTENUATOR

JFW Industries, Inc.
Phone: 317-887-1340
sales@jfwindustries.com
www.jfwindustries.com

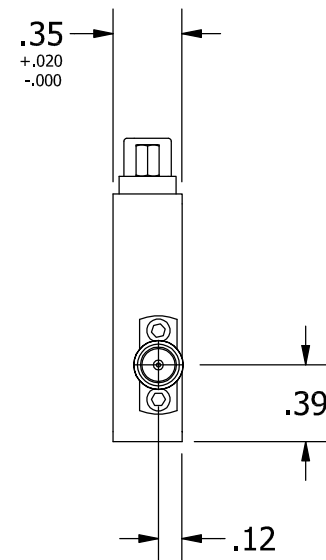
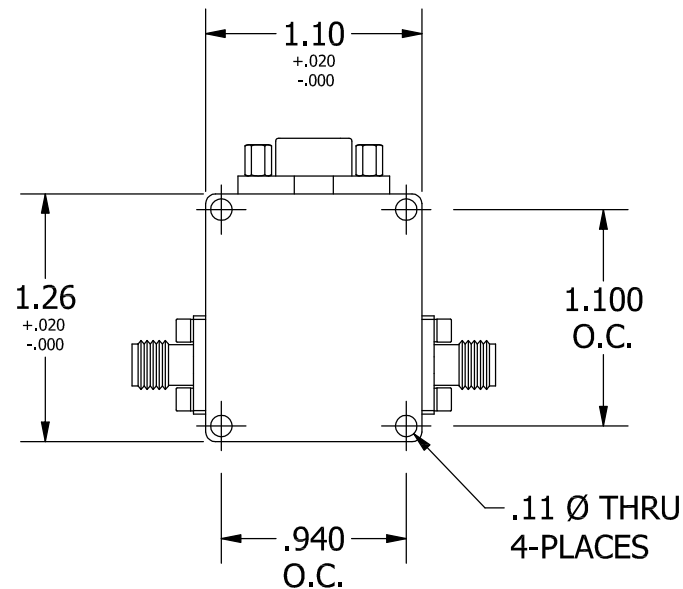
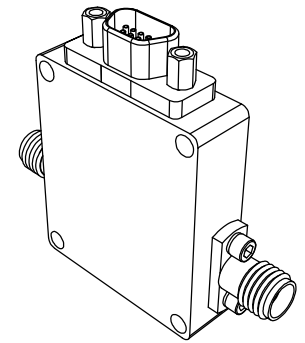
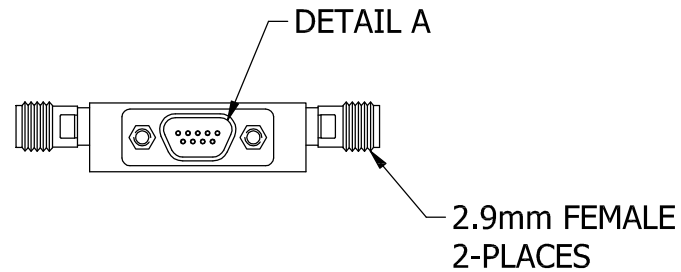
Frequency Range	0.1-40 GHz
Impedance	50 Ohms nominal
Attenuation Range	0-31 dB in 1 dB steps
Attenuation Steps	1, 2, 4, 8 and 16 dB
VSWR	1.5:1 typical / 1.8:1 maximum 0.1-8 GHz 1.6:1 typical / 1.8:1 maximum 8-18 GHz 1.8:1 typical / 2.0:1 maximum 18-33 GHz 1.9:1 typical / 2.4:1 maximum 33-40 GHz
Insertion Loss	3.5 dB typical 0.1-8 GHz 5.0 dB typical 8-18 GHz 6.5 dB typical 18-33 GHz 7.5 dB typical 33-40 GHz 8.5dB maximum 0.1-40 GHz
Attenuation Accuracy (guaranteed monotonic)	(1-10dB) ± 0.75 dB 0.1-18 GHz ± 1.00 dB 18-40 GHz (11-15dB) ± 1.00 dB 0.1-18 GHz ± 1.50 dB 18-40 GHz (16-23dB) ± 1.50 dB 0.1-18 GHz ± 2.00 dB 18-40 GHz (24-31dB) ± 2.00 dB 0.1-18 GHz ± 3.00 dB 18-33 GHz ± 4.00 dB 33-40 GHz
RF Input Power	+25 dBm (max operating) (0.1dB compression)
Switching Speed	500 nanoseconds maximum 200 nanoseconds typical
DC Supplies	+5Vdc @ 10mA nominal AND -5Vdc @ 10mA nominal
Control Logic (5 Lines)	TTL "High" (2-5V) for Thru Path TTL "Low" (0-0.8V) for Attenuation
DC Connector	9 Pin Micro D-sub
RF Connector	2.9mm female
Operating Temperature Range	-40°C to +85°C
Physical Size	See outline drawing 092-8953

ECR/ECN #	DATE	REV	APPR / DATE	ECR/ECN #	DATE	REV	APPR / DATE
	11/09/2017		BAC 11/09/2017				
28416	01/08/2018	A	CLK 01/08/2018				



DETAIL A
MICRO D-SUB 9 PIN FEMALE

PIN	FUNCTION
1	+5 Vdc
2	-5 Vdc
3	GND
4	C1
5	C2
6	C3
7	C4
8	C5
9	N/C



ATTEN. STATE	C1	C2	C3	C4	C5
INSERTION LOSS	1	1	1	1	1
1dB	0	1	1	1	1
2dB	1	0	1	1	1
4dB	1	1	0	1	1
8dB	1	1	1	0	1
16dB	1	1	1	1	0
31dB	0	0	0	0	0

"1" = TTL HIGH

"0" = TTL LOW

REV	ECN	DATE	BY	APPR
-	ISSUED	11-14-17	JZ	TEZ
A	28415	1-8-18	JZ	CLK



JFW INDUSTRIES, INC.

www.jfwindustries.com

PH: 317-887-1340

MATERIAL	ALUMINUM ALLY	PROPRIETARY INFORMATION
FINISH	GOLD PLATED	ALL SURFACES ARE TO BE FREE OF BURRS, PITS & SCRATCHES
MODEL	50P-XXXX	TOLERANCES .XX±.010 .XXX±.005 XX±.5°
DESCRIPTION	PROGRAMMABLE ATTENUATOR	DWG #
		092-8953