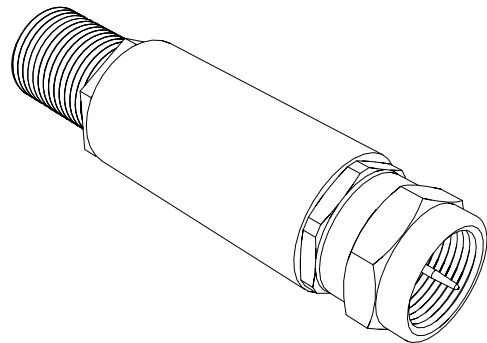
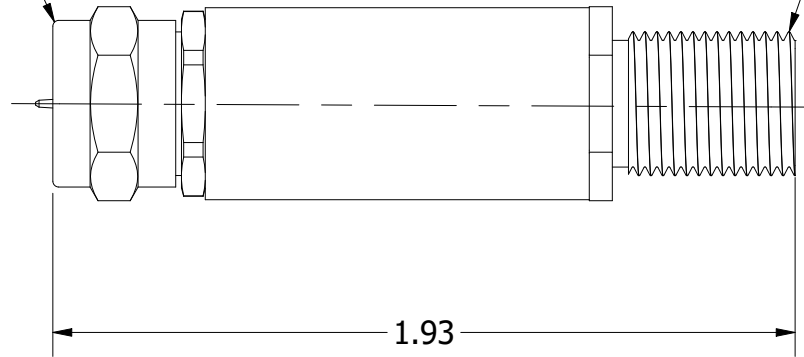


F MALE

F FEMALE



* INSERT ATTEN. VALUE i.e. 006 = 6dB

REV	ECN	DATE	BY	APPR
-	ISSUED	4-7-89	TEZ	FDW
A	2438	4-15-92	PT	FDW
B	3607	4-15-92	PT	FDW
C	6076	8-3-99	TEZ	PT
D	24444	9-13-19	GM	JZ



JFW INDUSTRIES, INC.

www.jfwindustries.com

PH: 317-887-1340

MATERIAL	BRASS	PROPRIETARY INFORMATION
FINISH	NICKEL	ALL SURFACES ARE TO BE FREE OF BURRS, PITS & SCRATCHES
MODEL	75F-XXX*	TOLERANCES .XX±.010 .XXX±.005 XX°±.5°
DESCRIPTION	FIXED ATTENUATOR	DWG # 092-495
SCALE	FULL	