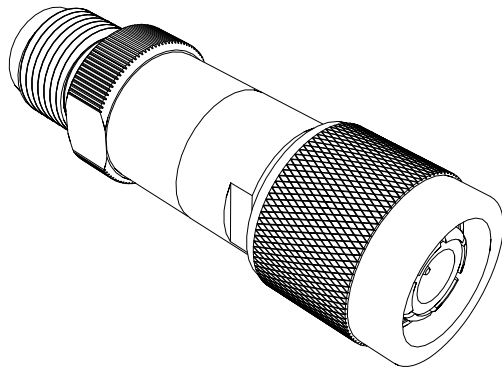
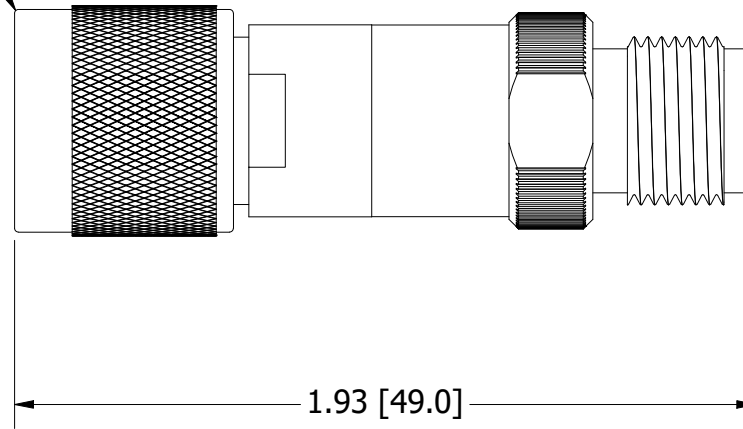


TNC MALE

TNC FEMALE



DIMENSIONS IN PARENTHESES ARE IN MILLIMETERS

REV	ECN	DATE	BY	APPR
-	ISSUED	7-20-82	FDW	FDW
A	1819	11-10-87	PT	FDW
B	2693	10-24-89	TEZ	FDW
C	3340	7-31-91	TEZ	FDW
D	5179	1-16-97	CDJ	TEZ
E	6707	4-26-01	CDJ	TEZ
F	7285	11-6-02	TEZ	BAC
G	7394	3-3-03	TEZ	BAC
H	7641	11-14-03	TEZ	BAC
J	24280	6-26-14	BZ	TEZ
K	24444	9-6-19	GM	JZ



JFW INDUSTRIES, INC.

www.jfwindustries.com

PH: 317-887-1340

MATERIAL	PROPRIETARY INFORMATION
FINISH	ALL SURFACES ARE TO BE FREE OF BURRS, PITS & SCRATCHES
MODEL	TOLERANCES
DESCRIPTION	.XX±.010 .XXX±.005 XX°±.5°
	DWG #
	092-180

SCALE
x2

TNC MALE / FEMALE