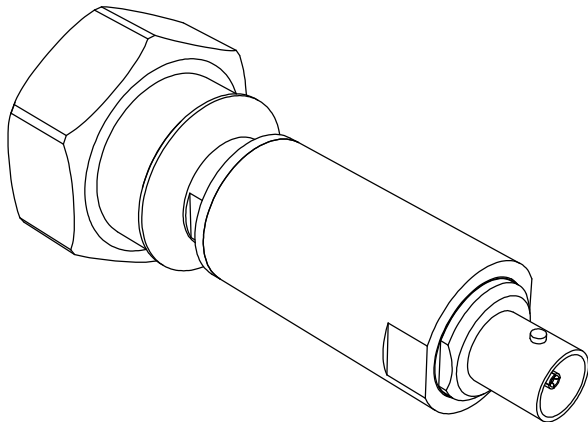
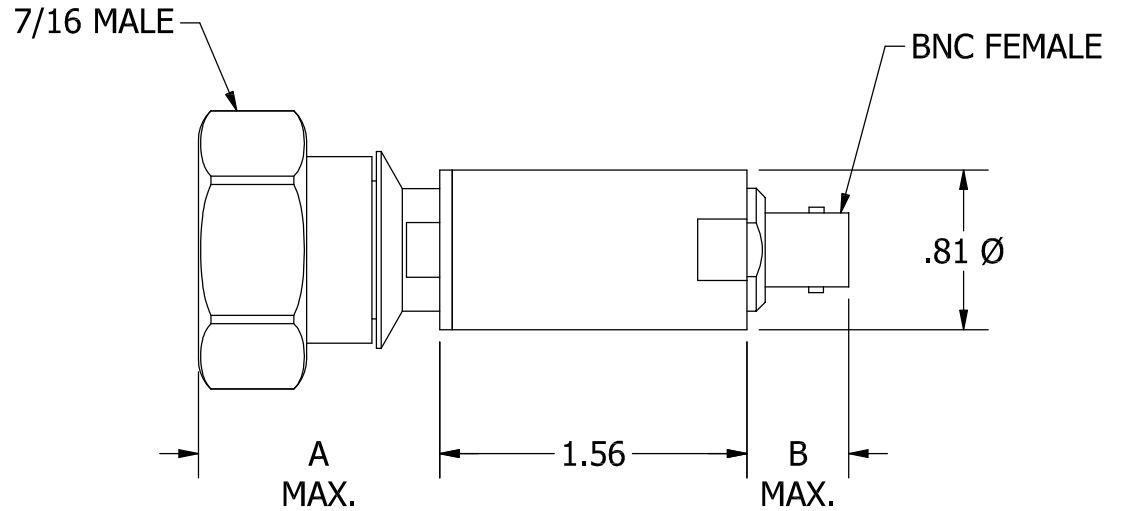


CONNECTOR	DIM. A	DIM. B
SMA MALE	.51	.51
SMA FEMALE	.47	.47
BNC MALE	.78	.75
BNC FEMALE	.61	.61
TNC MALE	.75	.75
TNC FEMALE	.55	.55
N MALE	.91	N/A
N FEMALE	.68	.68
7/16 MALE	1.26	N/A
7/16 FEMALE	1.17	N/A
4.1/9.5 MALE	.91	N/A
4.1/9.5 FEMALE	.91	N/A
4.3/10 MALE	1.02	N/A
4.3/10 FEMALE	.96	N/A
F MALE	.47	.47
F FEMALE	.56	.56



REV	ECN	DATE	BY	APPR
-	ISSUED	8-23-16	JZ	TEZ
A	26361	3-2-16	MP	TEZ
B	26977	8-23-16	JZ	TEZ



**JFW INDUSTRIES, INC.**

[www.jfwindustries.com](http://www.jfwindustries.com)

PH: 317-887-1340

MATERIAL	PROPRIETARY INFORMATION
FINISH	ALL SURFACES ARE TO BE FREE OF BURRS, PITS & SCRATCHES
MODEL	TOLERANCES .XX±.010 .XXX±.005 XX°±.5°
DESCRIPTION	DWG #
VARIOUS	092-7211

SCALE  
FULL