
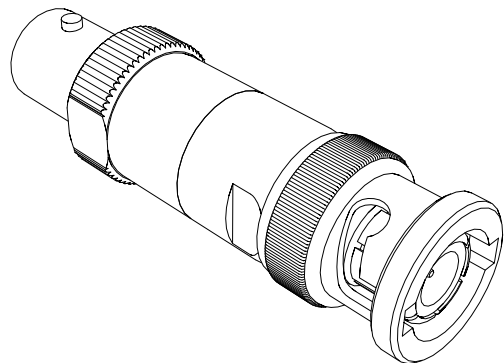
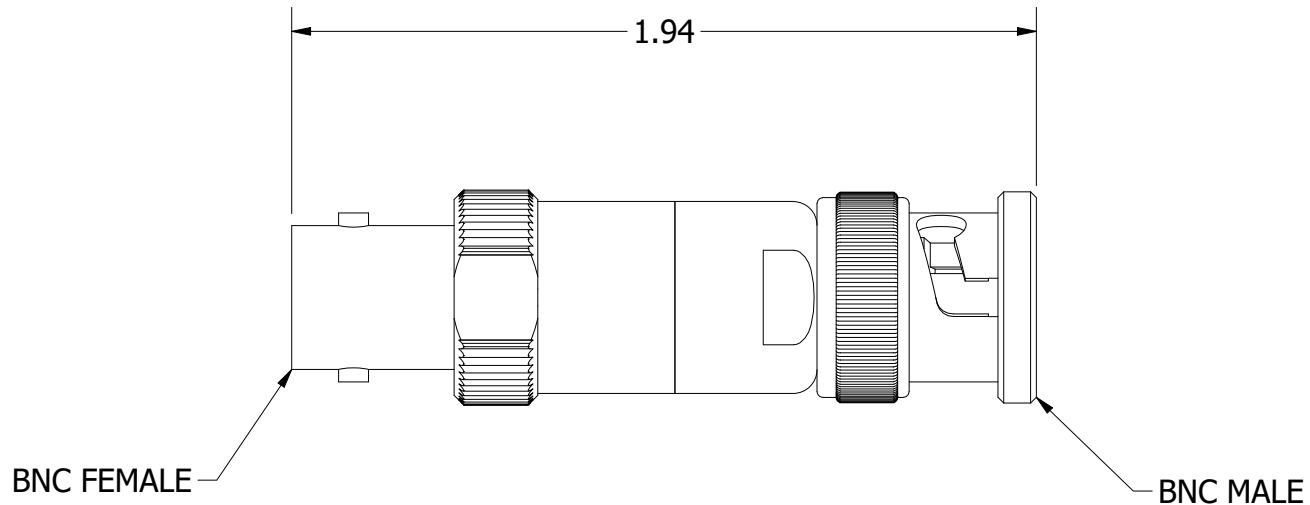



REV	ECN	DATE	BY	APPR			
-	ISSUED	11-6-82	MR	FDW	 JFW INDUSTRIES, INC. www.jfwindustries.com PH: 317-887-1340		
A	2246	11-30-88	PT	FDW			
B	2955	6-5-90	TEZ	FDW			
C	2992	7-23-90	TEZ	FDW			
D	3981	6-10-93	TEZ	FDW			
E	4194	3-30-94	PT	TEZ	MATERIAL	BRASS	PROPRIETARY INFORMATION
F	4284	7-8-94	TEZ	FDW	FINISH	NICKEL	ALL SURFACES ARE TO BE FREE OF BURRS, PITS & SCRATCHES
G	5337	8-1-97	CDJ	TEZ	MODEL		TOLERANCES
H	5850	10-29-98	PT	TEZ		SCALE	FULL
J	7393	3-3-03	TEZ	TEZ	DESCRIPTION		.XX±.010 .XXX±.005 XX°±.5°
K	7893	6-21-04	BZ	TEZ			DWG #
L	7957	8-12-04	TEZ	TEZ			
M	14935	11-7-07	TRS	TEZ			
N	25348	5-19-15	BZ	TEZ			
					OUTLINE DRAWING		092-164

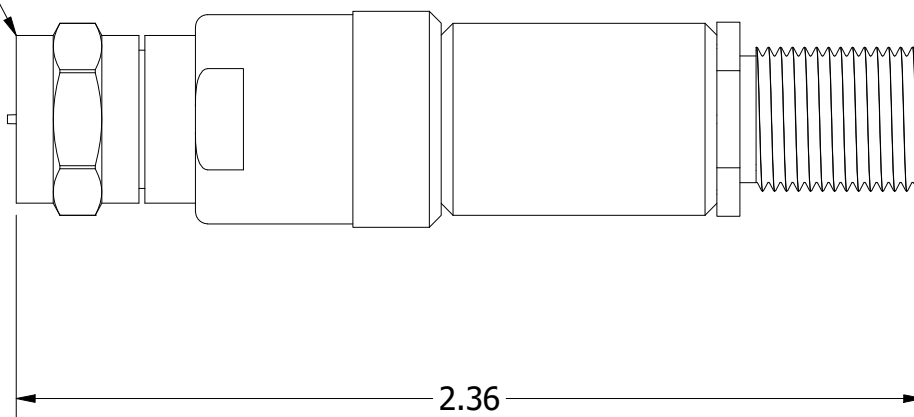


REV	ECN	DATE	BY	APPR
-	ISSUED	4-7-83	---	---
A	5793	9-14-98	CDJ	PT
B	24444	9-9-19	GM	JZ

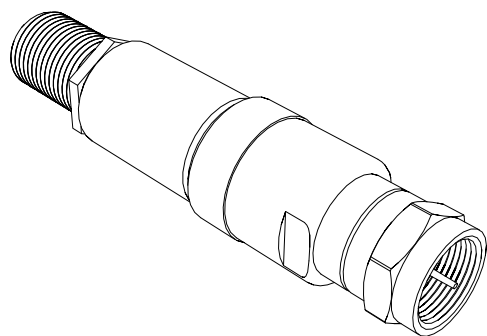
		JFW INDUSTRIES, INC.	
		www.jfwindustries.com	
PH: 317-887-1340		PROPRIETARY INFORMATION	
MATERIAL		ALL SURFACES ARE TO BE FREE OF BURRS, PITS & SCRATCHES	
FINISH		TOLERANCES	
MODEL		SCALE	.XX±.010 .XXX±.005 XX°±.5°
DESCRIPTION		x2	DWG #
50D & 75D DETECTOR 75FP FIXED ATTENUATOR		092-233	

PRECISION F MALE

PRECISION F FEMALE



* INSERT NOMINAL dB VALUE i.e. 001 = 1 dB



REV	ECN	DATE	BY	APPR
-	ISSUED	7-30-94	TEZ	FDW
A	12083	11-2-05	TEZ	TEZ
B	24444	9-9-10	GM	JZ



JFW INDUSTRIES, INC.

www.jfwindustries.com

PH: 317-887-1340

MATERIAL		PROPRIETARY INFORMATION	
FINISH		ALL SURFACES ARE TO BE FREE OF BURRS, PITS & SCRATCHES	
MODEL	75FP- [*] XXX-2G F	SCALE	x2
DESCRIPTION	FIXED ATTENUATOR		TOLERANCES .XX±.010 .XXX±.005 XX°±.5° DWG #
			092-2198