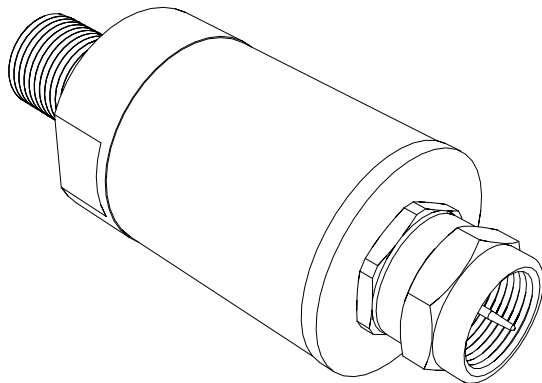
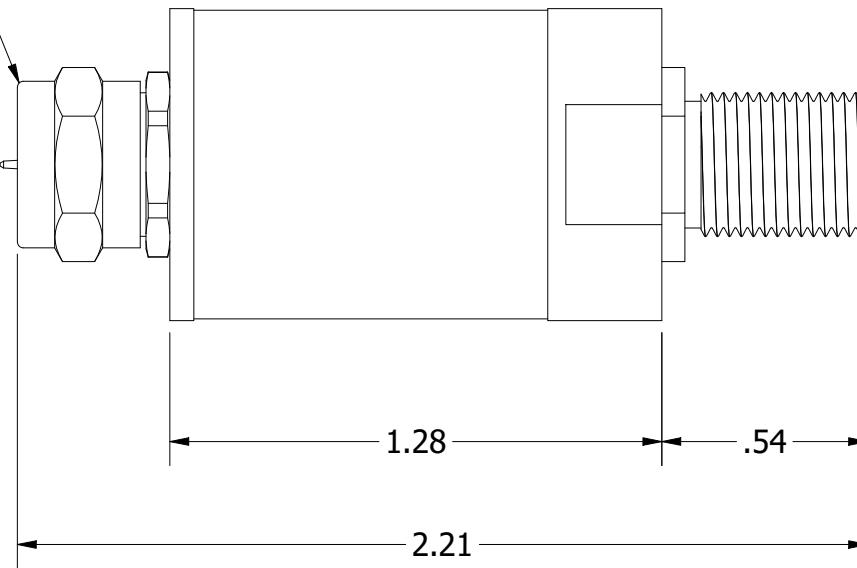


F MALE

F FEMALE



| REV | ECN | DATE | BY | APPR |
|-----|--------|---------|-----|------|
| - | ISSUED | 3-13-98 | CDJ | TEZ |
| A | 5667 | 5-11-98 | CDJ | TEZ |
| B | 24163 | 5-27-14 | BZ | TEZ |
| C | 24444 | 9-10-19 | GM | JZ |
| | | | | |
| | | | | |
| | | | | |
| | | | | |
| | | | | |
| | | | | |
| | | | | |
| | | | | |



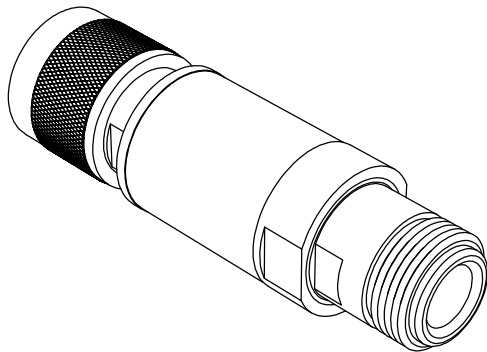
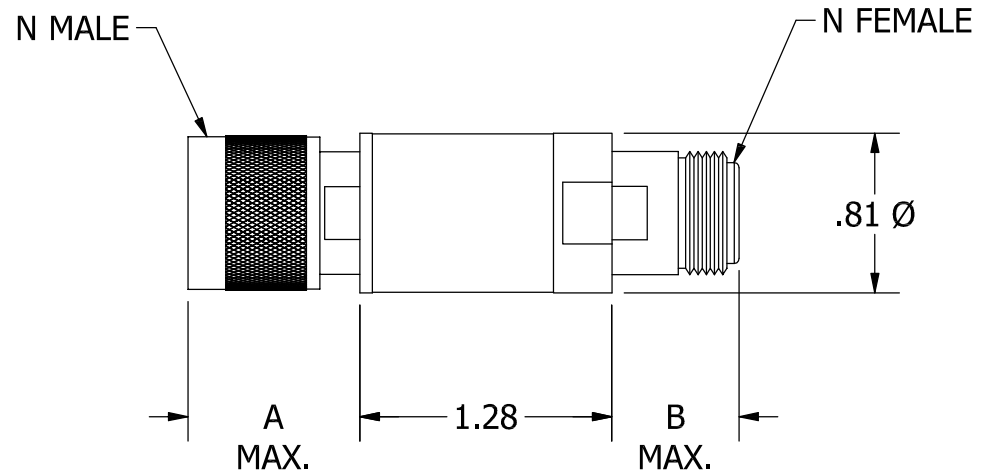
JFW INDUSTRIES, INC.

www.jfwindustries.com

PH: 317-887-1340

| | | |
|-------------|------------------|--|
| MATERIAL | BRASS | PROPRIETARY INFORMATION |
| FINISH | NICKEL | ALL SURFACES ARE TO BE FREE OF BURRS, PITS & SCRATCHES |
| MODEL | SCALE x2 | TOLERANCES .XX±.010 .XXX±.005 XX°±.5° |
| DESCRIPTION | F MALE/ F FEMALE | DWG # 092-2757 |

| CONNECTOR | DIM. A | DIM. B |
|----------------|--------|--------|
| SMA MALE | .51 | .51 |
| SMA FEMALE | .47 | .47 |
| BNC MALE | .78 | .75 |
| BNC FEMALE | .61 | .61 |
| TNC MALE | .75 | .75 |
| TNC FEMALE | .55 | .55 |
| N MALE | .91 | N/A |
| N FEMALE | .68 | .68 |
| 7/16 MALE | 1.26 | N/A |
| 7/16 FEMALE | 1.17 | N/A |
| 4.1/9.5 MALE | .91 | N/A |
| 4.1/9.5 FEMALE | .91 | N/A |
| 4.3/10 MALE | 1.02 | N/A |
| 4.3/10 FEMALE | .96 | N/A |
| F MALE | .47 | .47 |
| F FEMALE | .56 | .56 |



| REV | ECN | DATE | BY | APPR |
|-----|--------|----------|-----|------|
| - | ISSUED | 9-1-99 | MH | FDW |
| A | 6144 | 11-15-99 | TEZ | FDW |
| B | 6941 | 12-12-01 | MAH | TEZ |
| C | 23948 | 3-27-14 | JZ | TEZ |
| D | 26370 | 3-7-16 | JZ | TEZ |
| E | 26706 | 6-9-16 | JZ | CLK |
| F | 26796 | 6-7-16 | JZ | TEZ |
| G | 26869 | 7-26-16 | TB | TEZ |
| H | 27494 | 1-23-17 | JZ | TRS |
| | | | | |
| | | | | |
| | | | | |
| | | | | |



JFW INDUSTRIES, INC.

www.jfwindustries.com

PH: 317-887-1340

| | |
|-------------|--|
| MATERIAL | PROPRIETARY INFORMATION |
| FINISH | ALL SURFACES ARE TO BE FREE OF BURRS, PITS & SCRATCHES |
| MODEL | TOLERANCES .XX±.010 .XXX±.005 XX°±.5° |
| DESCRIPTION | DWG # |
| VARIOUS | 092-3134 |

SCALE
FULL