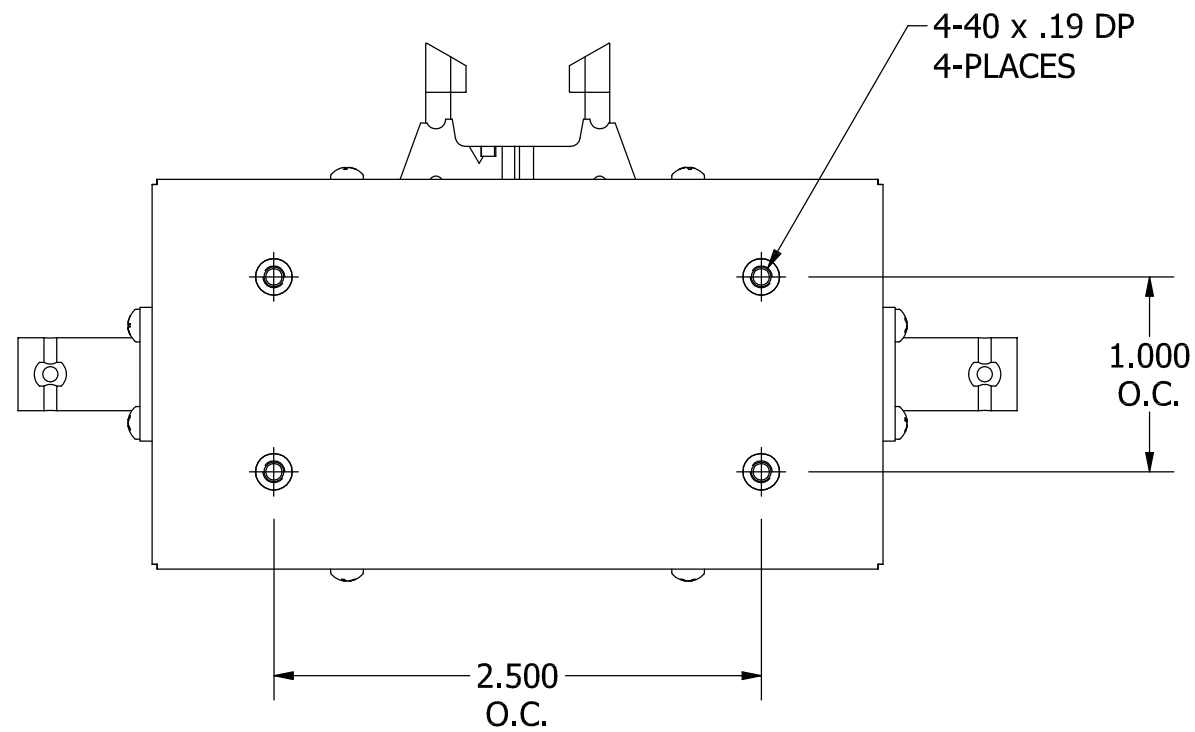


DETAIL A  
3M# 3793-5303



PIN	75P-108	PIN	75P-119
1	.1 dB TTL CONT.	1	1 dB TTL CONT.
2	.2 dB TTL CONT.	2	2 dB TTL CONT.
3	.4 dB TTL CONT.	3	4 dB TTL CONT.
4	.8 dB TTL CONT.	4	8 dB TTL CONT.
5	1.6 dB TTL CONT.	5	16 dB TTL CONT.
6	3.2 dB TTL CONT.	6	32 dB TTL CONT.
7	NO CONNECTION	7	NO CONNECTION
8	NO CONNECTION	8	NO CONNECTION
9	+12 Vdc	9	+12 Vdc
10	GROUND	10	GROUND

REV	ECN	DATE	BY	APPR
-	ISSUED	8-5-93	TEZ	FDW
A	4653	5-8-95	TEZ	FDW
B	4878	1-30-96	CDJ	PT
C	6628	2-20-01	TEZ	SL
D	24444	10-23-15	JZ	TEZ



**JFW INDUSTRIES, INC.**

www.jfwindustries.com

PH: 317-887-1340

MATERIAL	BRASS	PROPRIETARY INFORMATION
FINISH	NICKEL	ALL SURFACES ARE TO BE FREE OF BURRS, PITS & SCRATCHES
MODEL	75P-XXX	TOLERANCES .XX±.010 .XXX±.005 XX°±.5°
DESCRIPTION	PROGRAMMABLE ATTENUATOR	DWG #
		092-2050