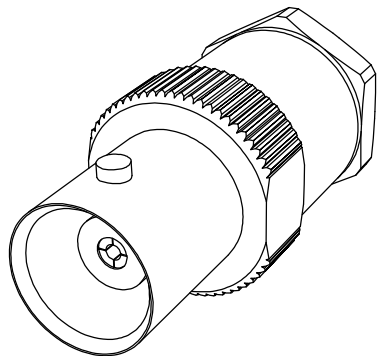
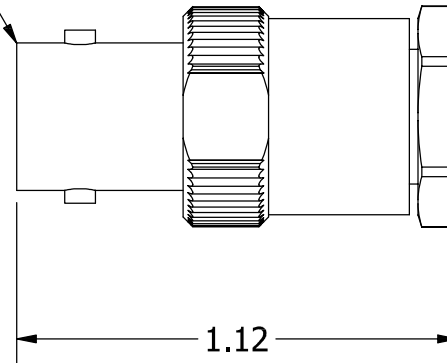



BNC FEMALE



REV	ECN	DATE	BY	APPR
-	ISSUED	6-4-84	--	--
A	3523	1-24-92	TEZ	FDW
B	5338	8-6-97	CDJ	TEZ
C	24444	11-11-15	BZ	TEZ

		<h1>JFW INDUSTRIES, INC.</h1>		<a href="http://www.jfwindustries.com">www.jfwindustries.com</a>	PH: 317-887-1340
MATERIAL				PROPRIETARY INFORMATION	
FINISH				ALL SURFACES ARE TO BE FREE OF BURRS, PITS & SCRATCHES	
MODEL			75T-XXX	SCALE	2X
DESCRIPTION				TOLERANCES	
75 OHM TERMINATION				.XX±.010 .XXX±.005 XX°±.5°	
				DWG #	
				092-393	