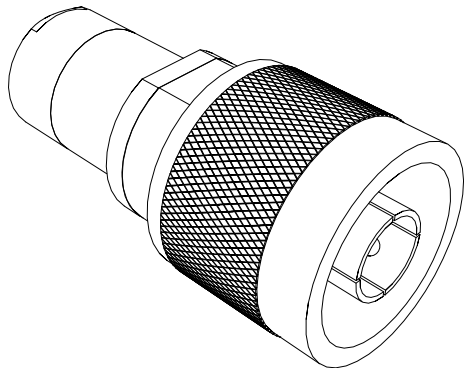
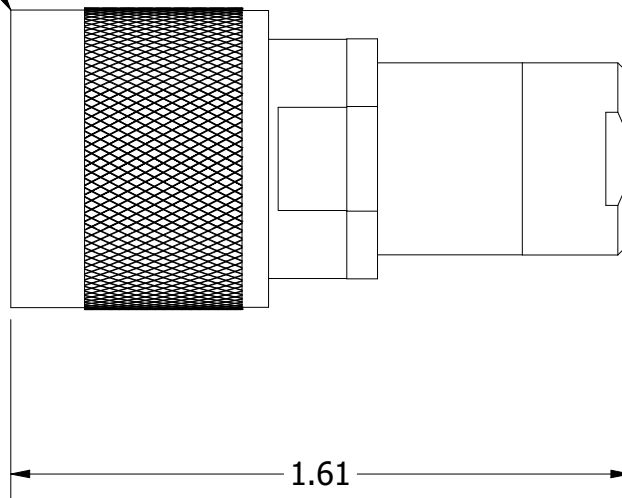


N MALE



REV	ECN	DATE	BY	APPR
-	ISSUED	4-8-93	TEZ	FDW
A	4937	3-29-96	TEZ	FDW
B	24444	9-9-19	GM	JZ

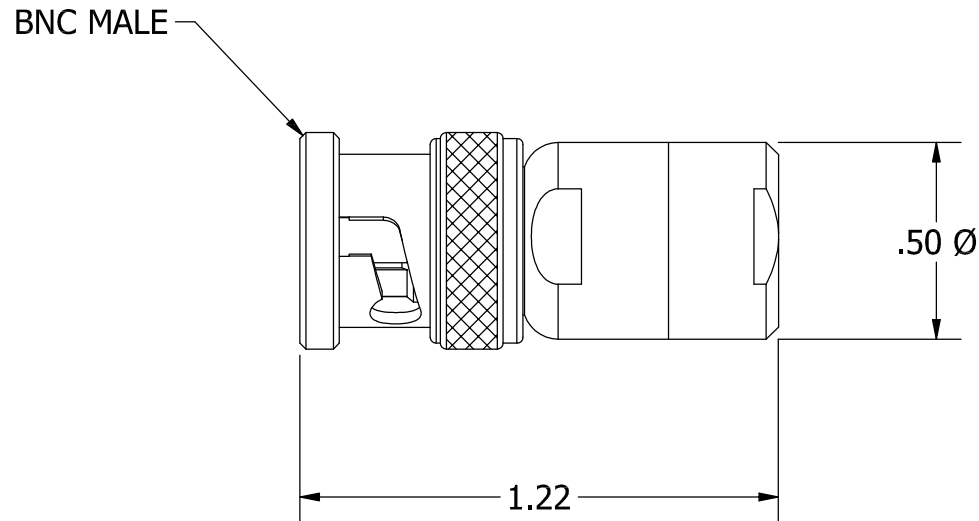


JFW INDUSTRIES, INC.

www.jfwindustries.com

PH: 317-887-1340

MATERIAL	BRASS	PROPRIETARY INFORMATION
FINISH	NICKEL	ALL SURFACES ARE TO BE FREE OF BURRS, PITS & SCRATCHES
MODEL	SCALE x2	TOLERANCES .XX±.010 .XXX±.005 XX°±.5°
DESCRIPTION	2 WATT TERMINATION	DWG # 092-2003



REV	ECN	DATE	BY	APPR
-	ISSUED	11-18-99	TEZ	TEZ
A	24444	11-11-15	BZ	TEZ



JFW INDUSTRIES, INC.

www.jfwindustries.com

PH: 317-887-1340

MATERIAL	BRASS	PROPRIETARY INFORMATION
FINISH	NICKEL	ALL SURFACES ARE TO BE FREE OF BURRS, PITS & SCRATCHES
MODEL	75T-XXX	TOLERANCES .XX±.010 .XXX±.005 XX°±.5°
DESCRIPTION	2 WATT TERMINATION	DWG # 092-3264

SCALE
2X